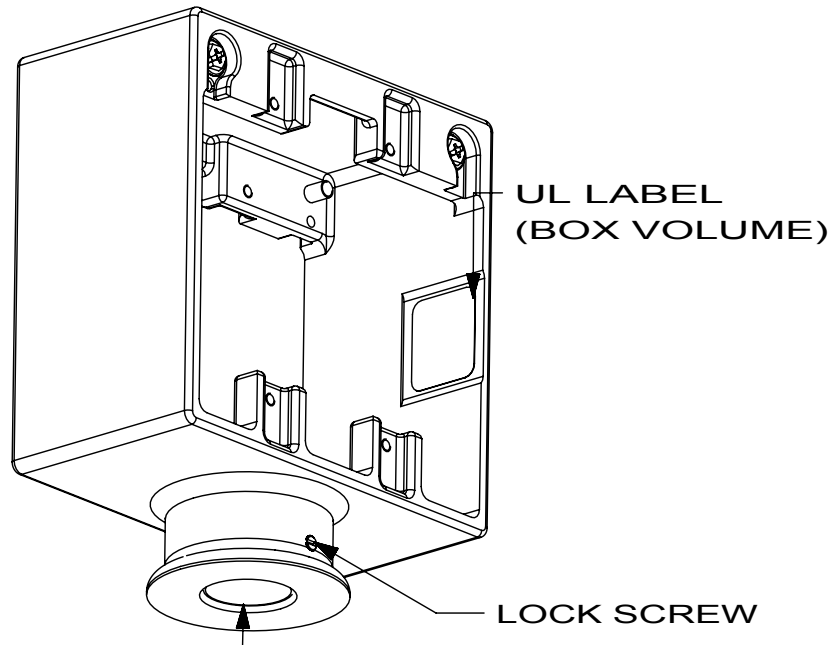
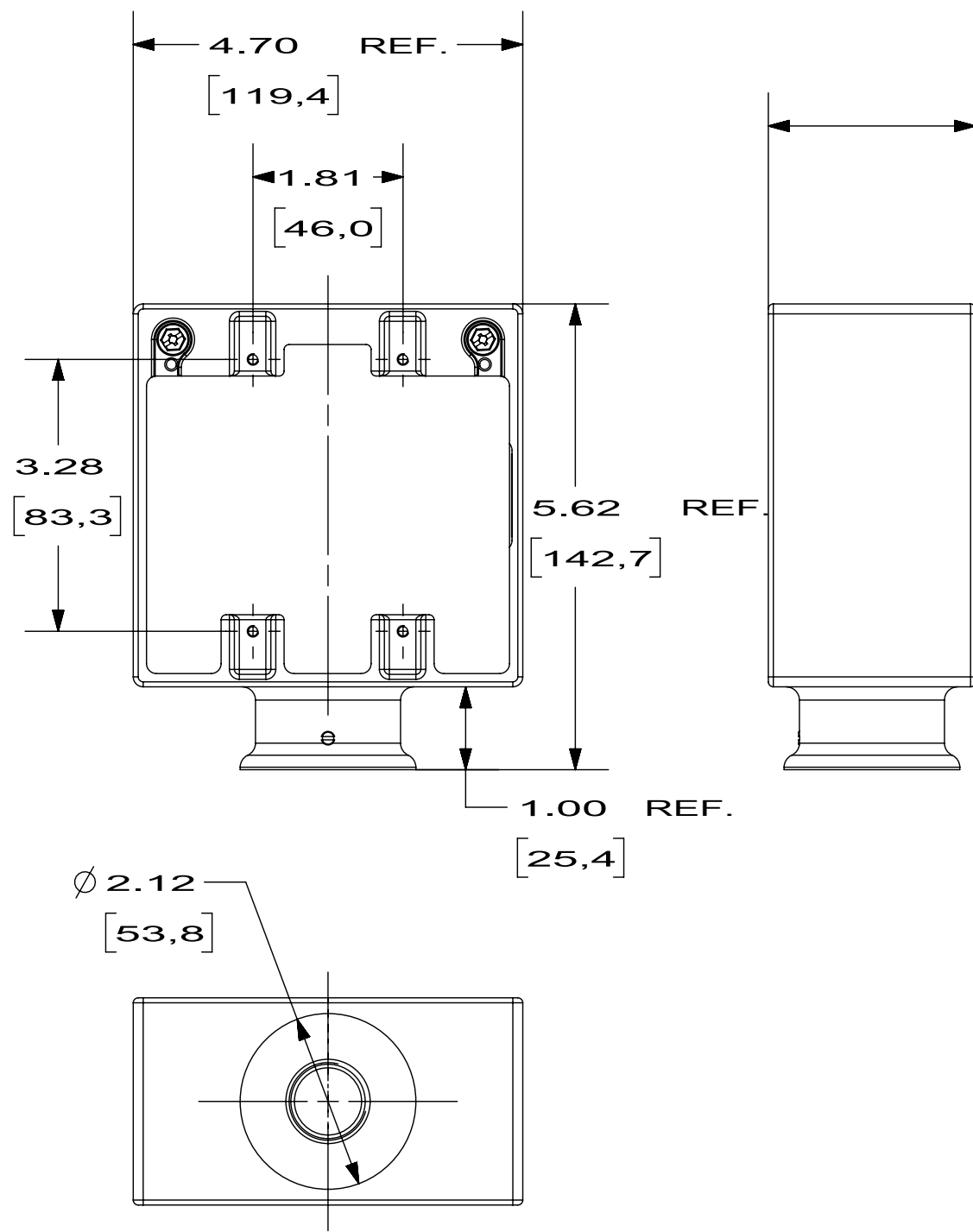


M13271 2



**NOTE:**  
 1. ALL DIMENSIONS ARE IN INCH [mm].  
 2. DEVICE PLATES CAT.# (NOT INCLUDED):  
 SS82, SS262, SS72, SS701, SS703, SS23  
 CAN BE USED WITH THE PEDESTAL BOX.

SA6688G	1" - 11.5 N.P.S.M	PEDESTAL BOX, 4-GANG (FRONT AND BACK)
SA6687G	3/4" - 14 N.P.S.M	
<b>CAT.#</b>	<b>HUB THREAD SIZE</b>	<b>DESCRIPTION</b>

LIST OF PARTS		
DESCRIPTION	MATERIAL	FINISH
PEDESTAL BOX	ALUMINUM	BRUSH & LACQUER FINISH
GROUND SCREW	BRASS	GREEN FINISH
LOCK SCREW	STEEL	Zn PLATE

REPAIRABLE <input type="checkbox"/>	NON-REPAIRABLE <input checked="" type="checkbox"/>
-------------------------------------	--

CAT #'s SA6688G & SA6687G	DDL	4/11/18
2 WAS SA6688 & SA6687		
PER DCN 23658 RM		
1 NEW RELEASE PER	DL	2/1/16
DCN #21901		
SYM	REVISIONS	APP DATE

THE DESIGN AND DIMENSIONS OF THE  
 PRODUCT SHOWN ON THIS DRAWING ARE  
 SUBJECT TO CHANGE WITHOUT NOTICE

**TITLE**  
 PEDESTAL BOX,  
 4 GANG

TOLERANCES UNLESS OTHERWISE SPECIFIED  .XX = ± .01 .XXX = ± .005 ANGLES = ± 2°	WIRING DEVICE-KELLEMS HUBBELL INCORPORATED SHELTON, CT	
	DR. BY <b>D.L.I</b>	APP. BY
	TR. BY	SCALE <b>1:2</b>
	CHK. BY	DATE <b>2/1/16</b>

DIMENSION SHEET FOR CAT. NO. **SEE TABLE**  REPAIRABLE  NON-REPAIRABLE **B** **M-13271** **2**