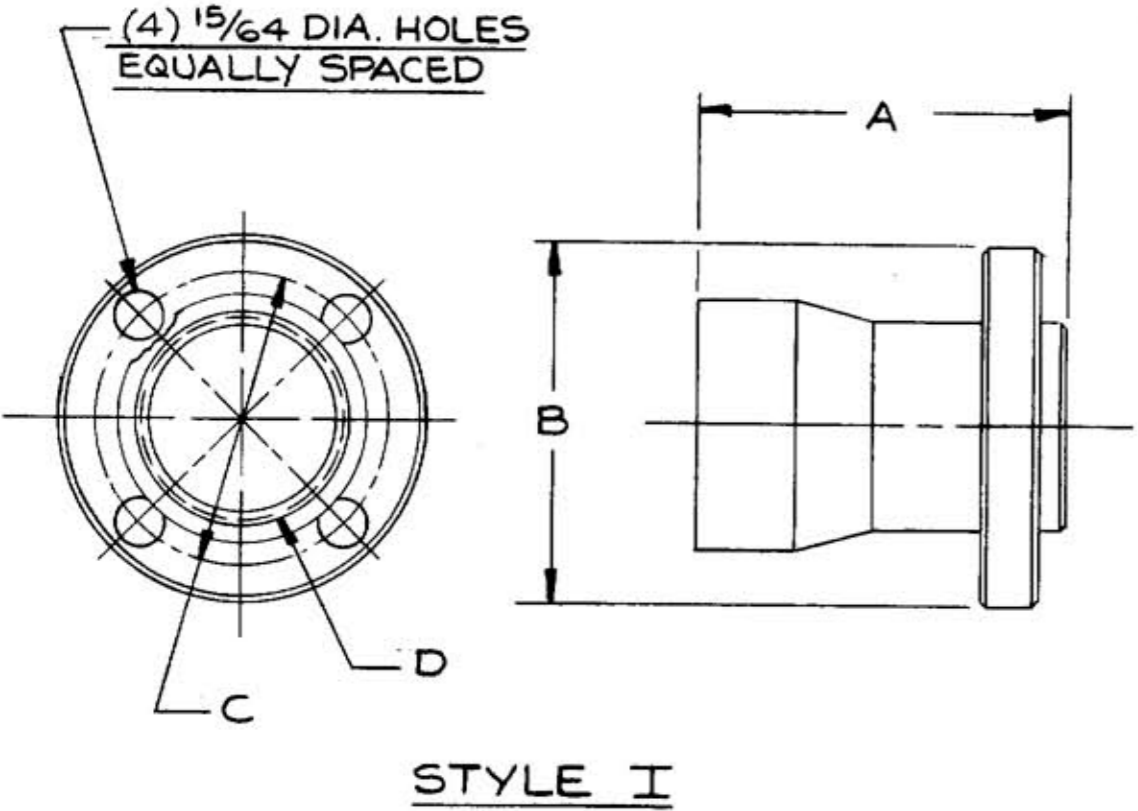
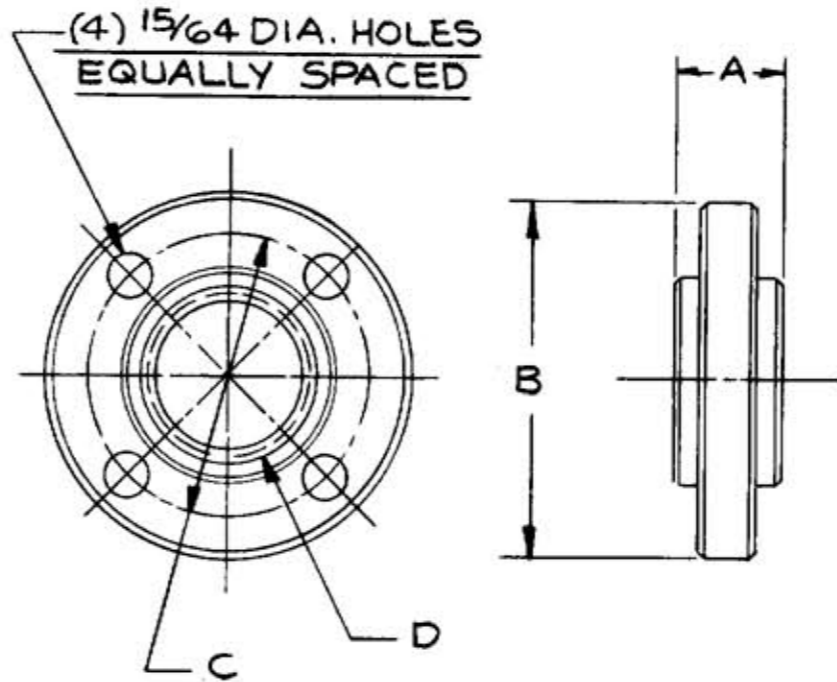


M-6280



STYLE I



STYLE II

LIST OF PARTS

DESCRIPTION	MATERIAL	FINISH
ADAPTER	ALUMINUM	ANODIZE
GASKET	NEOPRENE	BLACK
(4) SCREWS	STAINLESS	

CATALOG No.	STYLE	A	B	C	D	WILL FIT
SAA12	II	9/16	1 7/8	1.45 Ø	1/2" N.P.T.	20A. 3 & 4 WIRE
SAA34	I	1 15/16	1 7/8	1.45 Ø	3/4" N.P.T.	20A. 3 & 4 WIRE
SAB12	II	9/16	2 1/4	1.86 Ø	1/2" N.P.T.	20A. 5 WIRE 30A. 3 & 4 WIRE
SAB34	II	5/8	2 1/4	1.86 Ø	3/4" N.P.T.	20A. 5 WIRE 30A. 3 & 4 WIRE
SAB100	II	3/4	2 1/4	1.86 Ø	1" N.P.T.	20A. 5 WIRE 30A. 3 & 4 WIRE
SAC34	II	3/4	2 1/2	2.09 Ø	3/4" N.P.T.	30A. 5 WIRE 60A. 3, 4 & 5 WIRE
SAC100	II	3/4	2 1/2	2.09 Ø	1" N.P.T.	30A. 5 WIRE 60A. 3, 4 & 5 WIRE
SAC125	I	2 1/16	2 1/2	2.09 Ø	1 1/4" N.P.T.	30A. 5 WIRE 60A. 3, 4 & 5 WIRE
SAC150	I	2 1/16	2 1/2	2.09 Ø	1 1/2" N.P.T.	30A. 5 WIRE 60A. 3, 4 & 5 WIRE
SAD125	II	13/16	3 1/4	2.73 Ø	1 1/4" N.P.T.	100A. 3, 4 & 5 WIRE
SAD150	II	13/16	3 1/4	2.73 Ø	1 1/2" N.P.T.	100A. 3, 4 & 5 WIRE
SAD200	I	2 1/16	3 1/4	2.73 Ø	2" N.P.T.	100A. 3, 4 & 5 WIRE

DIMENSION SHEET FOR CAT. NO. SEE CHART
REPAIRABLE NON-REPAIRABLE

B
M-6280

SYM	REVISIONS	APP	DATE
1	CHART REVISED	M.M.	8-9-82

TITLE
***LIQUID-TIGHT ADAPTER FOR
PIN & SLEEVE PLUG AND CONNECTORS***

TOLERANCES UNLESS OTHERWISE SPECIFIED
 FRACTIONS ± 1/64
 DECIMALS ± .005
 ANGLES ± 2°

HARVEY HUBBELL, INC.
 BRIDGEPORT, CONN.

DR. BY *P.M.* APP. BY
 TR. BY SCALE 1:1
 CHK'D. BY *M.C.M.* DATE *11-25-81*

CODE 74545