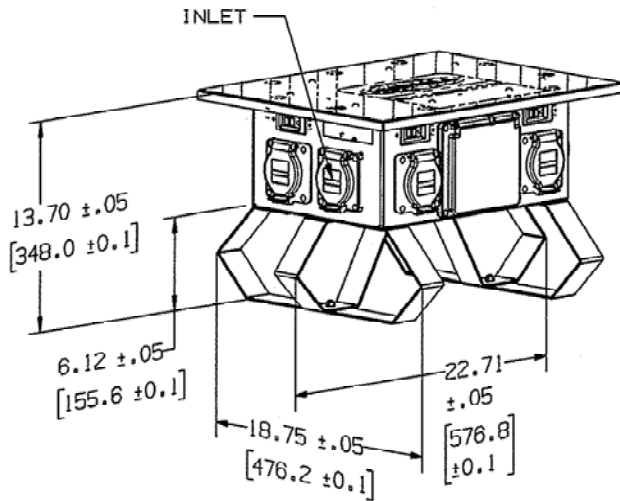
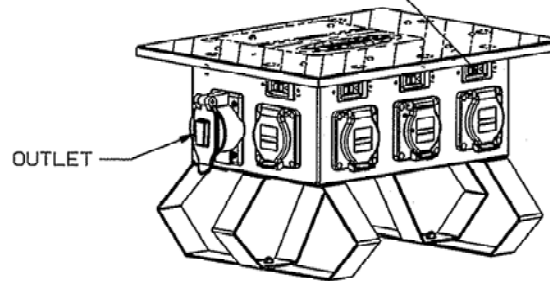


M-7828 7



GFCI MODULES ON ALL
20A INLETS/RECEPTACLES
REPLACEMENT CAT NO. GFM20



INLET OR RECEPTACLE						
	SBSB1A	SBSB2	SBTL1A	SBTL2	SDSB1A	STD1A
20A	HBL53R61	HBL53R61	HBL2310SW	HBL53R61	HBL53R61	HBL2310SW
30A		HBL2620SW		HBL2620SW		
INLET	HBL6375S	HBL6375S	HBL6375S	HBL6375S	HBL2715SW	HBL2715SW
OUTLET	CS6369MB/ 77CM74WO	CS6369MB/ 77CM74WO	CS6369MB/ 77CM74WO	CS6369MB/ 77CM74WO	HBL2710/ HBL74CM25WOA	HBL2710/ HBL74CM25WOA
30A W/GFCI CIRCUIT BREAKER PROTECTION	NO	YES	NO	YES	NO	NO

NOTES:

- INPUT/OUTPUT VOLTAGE: 120/240VAC, 60 Hz
- INCHES [mm]

CODE 74545

LIST OF PARTS		
DESCRIPTION	MATERIAL	FINISH
ENCLOSURE	GALVANIZED STEEL	POLYESTER PAINT
COVER	GALVANIZED STEEL	POLYESTER PAINT
GASKET	CLOSED-CELL NEOPRENE FOAM	-----
LEGS	HR STEEL	POLYESTER PAINT
SCREW, #10 PAN HEAD	C1021 STEEL	CHROMATE/ZINC
NUT, LOCKING	STEEL	ZINC PLATED
LABEL, PRODUCT	POLYESTER	CHROME COLOR

SYM	REVISIONS	APP	DATE
7	ADDED COLUMN FOR CAT. SOTL1A. PER DCN 15499 SPN	EJM	2/11/09
6	REVISED TABLE, CAT. NOS. & NOTE 1 PER DCN #12513 RCM	SL	8/30/05
5	ADDED CAT. NO. SDSB1 TO TABLE PER DCN #11094. JMN	JPP	08-06-03
4	DIM 13.70 WAS 3.70, 18.75 WAS 18.90, 22.71 WAS 22.84 ADDED NOTE 2; PER DCN 10584	RDK	01-30-03
3	ADDED TOL TO ALL DIMS PER DCN #7794. AMZ	DB	08-28-00
2	REVISED PER DCN 5171-6 MDM	MJL	07-15-98
1	RELEASE PER DCN 5171-4	MJL	12-04-97

THE DESIGN AND DIMENSIONS OF THE PRODUCT SHOWN ON THIS DRAWING ARE SUBJECT TO CHANGE WITHOUT NOTICE

TITLE CUSTOMER DRAWING SPIDER BOX II

TOLERANCES UNLESS OTHERWISE SPECIFIED FRACTIONS ± 1/64 DECIMALS ± .005 ANGLES ± 2°	WIRING DEVICE-KELLEMS HUBBELL INCORPORATED BRIDGEPORT, CT	
	DR. BY DJH	APP. BY MJL
	TR. BY	SCALE NONE
	CHK'D BY MDM	DATE 12-02-97

DIMENSION SHEET FOR CAT. NO.

REPAIRABLE

NON-REPAIRABLE

B

M-7828

7