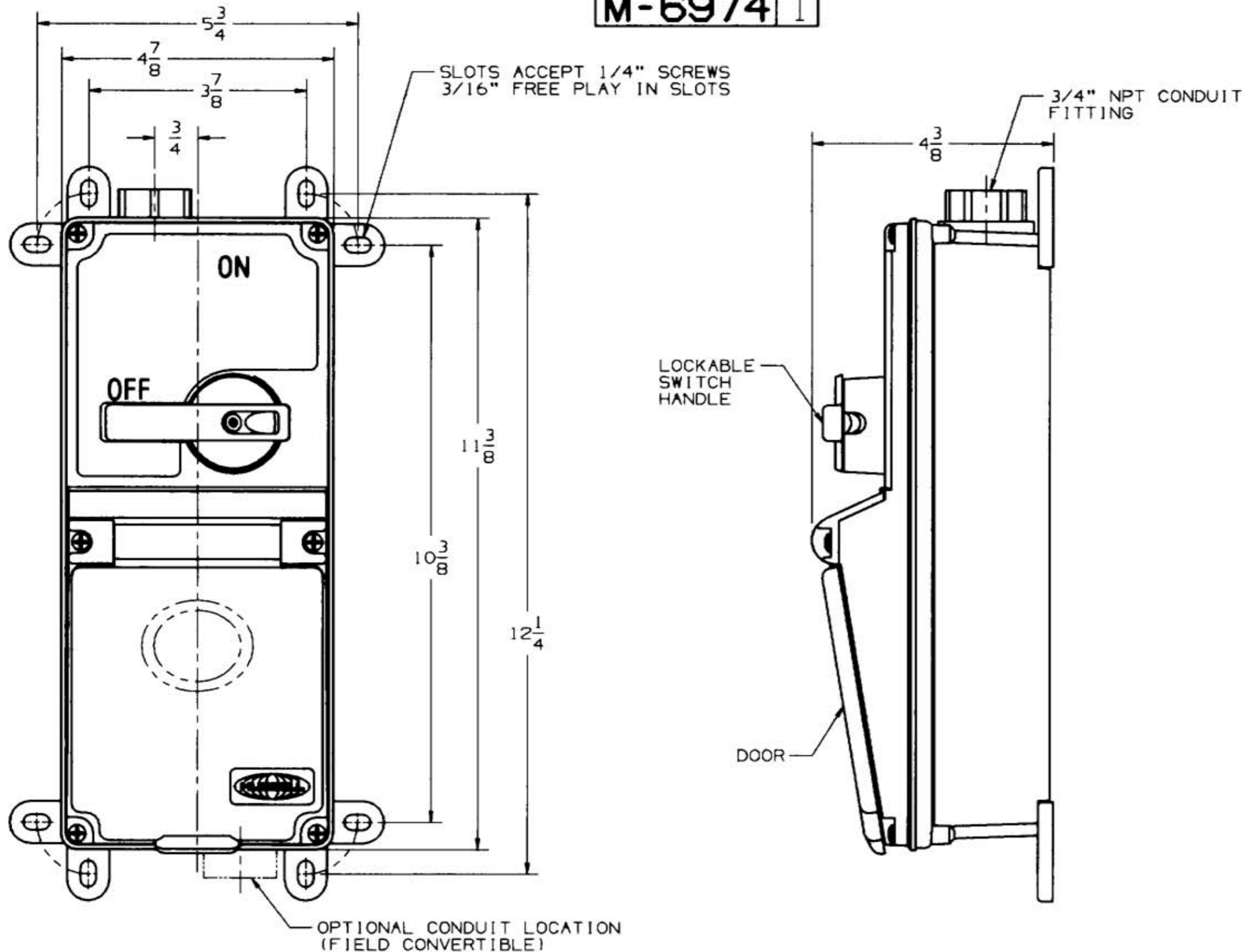


M-6974 1



LIST OF PARTS		
DESCRIPTION	MATERIAL	FINISH
ALL EXTERNAL PLASTIC PARTS	UV STABILIZED POLYESTER/POLYCARBONATE BLEND	
FRAME	GALVANIZED STEEL	
ALL EXTERNAL SCREWS AND HARDWARE	STAINLESS STEEL	
CONDUIT HUB	ALUMINUM	

DIMENSION SHEET FOR CAT. NO. **M-6974**
 REPAIRABLE NON-REPAIRABLE
 B
 1

SYM	REVISIONS	APP	DATE
1	RELEASED PER DCN #1069 RCM	RCM	3/2/92

THE DESIGN AND DIMENSIONS OF THE PRODUCT SHOWN ON THIS DRAWING ARE SUBJECT TO CHANGE WITHOUT NOTICE

CAT. NO.	RECEPTACLE	NEMA CONFIG.	AMPS	VOLTAGE	HORSE POWER
SE2310A	2310A	L5-20R	20	120	1
SE2320A	2320A	L6-20R	20	240	2
SE2720A	2720A	L15-30R	30	3 Ø 240	3
SE2730A	2730A	L16-30R	30	3 Ø 480	5

TITLE
 DIM. SHEET FOR SWITCHED TWIST-LOCK ENCLOSURE

TOLERANCES UNLESS OTHERWISE SPECIFIED	WIRING DEVICE DIVISION HUBBELL, INCORPORATED BRIDGEPORT, CT	
FRACTIONS ± 1/64	DR. BY RCM	APP. BY
DECIMALS ± .005	TR. BY	SCALE 1/1
ANGLES ± 2°	CHK'D BY <i>RCM</i>	DATE 2/29/92