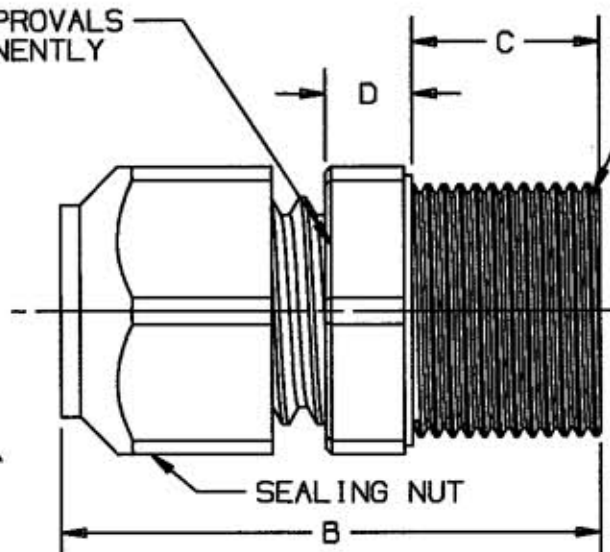
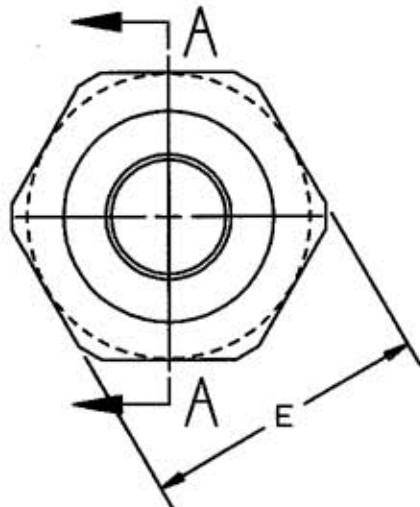
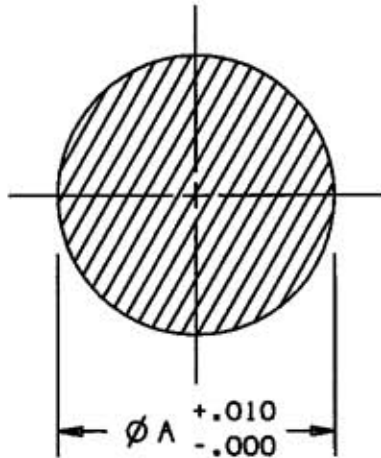
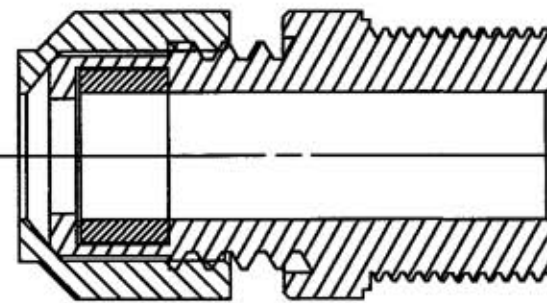


NOMINAL SIZE AND AGENCY APPROVALS IDENTIFIERS SHALL BE PERMANENTLY MARKED IN THESE LOCATIONS.



THREAD- SEE "NOMINAL SIZE" IN TABLE BELOW. PG HB THREADS ARE STEEL CONDUIT THREADS PER DIN 40430.



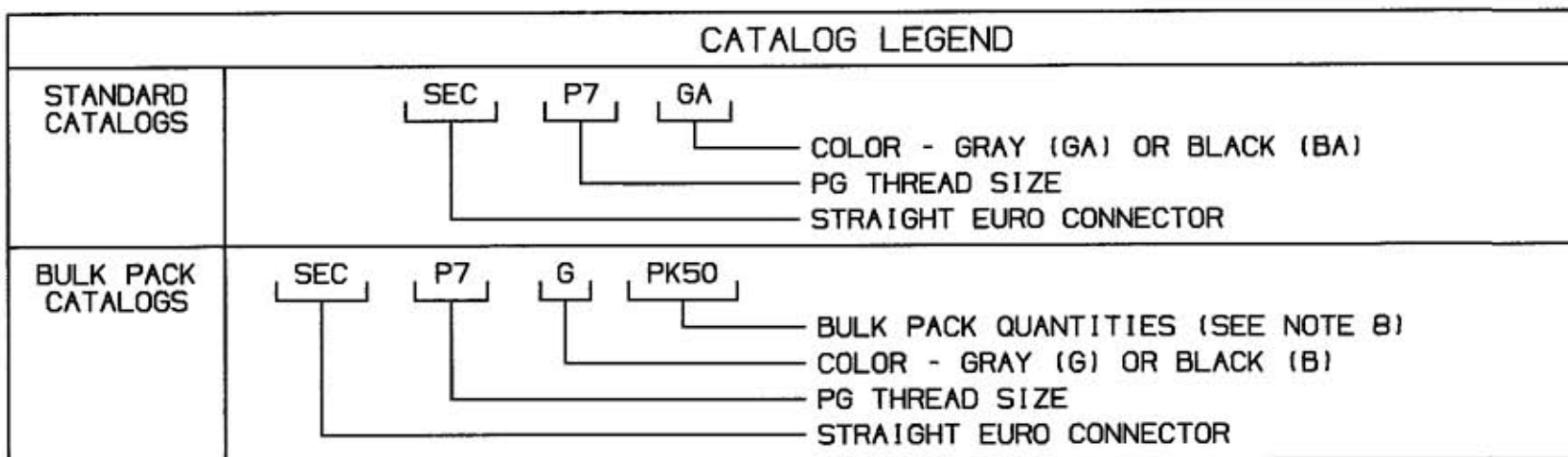
SECTION A-A

SUGGESTED CLEARANCE HOLE FOR NON-THREADED MOUNTING

- MATERIAL: 6/6 NYLON WITH BUNA N GLAND.
- TEMPERATURE RANGE: -22° F (-30° C) TO 212° F (100° C)
- COLOR CODE: GRAY CAT. NO. LAST LETTER-GA
BLACK CAT. NO. LAST LETTER-BA
- CORD CONNECTORS ARE HALOGEN & SILICON FREE. PROTECTION CLASS: IP 68 PER DIN 40050 UP TO 70 PSI (5 BAR) WATER PRESSURE.
- UL LISTED AND CSA CERTIFIED.
- DIMS. ARE IN INCHES & METRIC.
- TOLERANCE: .XX ± .015
.XXX ± .005
ANG. ± 2°
- ADDITIONAL BULK PACK QTY'S ARE PK500, PK1500, PK2000. CONTACT HUBBELL CUSTOMER SERVICE OR YOUR LOCAL HUBBELL REPRESENTATIVE FOR AVAILABLE QUANTITIES.

CAT. NO.	NOMINAL SIZE	CABLE DIA.		APPROVALS	Ø A		-B-		-C-		-D-		-E-		-F-				
		INCHES	METRIC		MIN	MAX	IN.	MM	MIN	MAX	IN.	MM	MIN	MAX	IN.	MM	MIN	MAX	
SECP7GA	PG 7	.114	.250	2.90	6.35	X	X	.492	12.5	1.16	29.5	0.32	8.1	0.21	5.3	0.63	16.0	0.49	12.4
SECP7BA																			
SECP9GA	PG 9	.181	.312	4.6	7.92	X	X	.599	15.2	1.25	31.8	0.32	8.1	0.21	5.3	0.83	21.0	0.55	14.0
SECP9BA																			
SECP11GA	PG 11	.230	.395	5.84	10.03	X	X	.733	18.6	1.48	37.6	0.38	9.7	0.21	5.3	0.94	23.9	0.70	17.8
SECP11BA																			
SECP13GA	PG 13.5	.170	.470	4.32	11.94	X	X	.804	20.4	1.53	38.9	0.41	10.4	0.21	5.3	0.98	24.9	0.66	16.8
SECP13BA																			
SECP16GA	PG 16	.230	.530	5.84	13.46	X	X	.886	22.5	1.68	42.7	0.44	11.2	0.25	6.4	1.06	27.0	0.76	19.3
SECP16BA																			
SECP21GA	PG 21	.450	.705	11.43	17.91	X	X	1.115	28.3	1.89	48.0	0.52	13.2	0.25	6.4	1.30	33.0	0.85	21.6
SECP21BA																			
SECP29GA	PG 29	.590	.990	14.99	25.15	X	X	1.470	37.3	2.23	56.6	0.58	14.7	0.30	7.6	1.73	43.9	1.05	26.7
SECP29BA																			
SECP36GA	PG 36	.875	1.260	22.22	32.00	X	X	1.875	47.6	2.39	60.7	0.47	11.9	0.31	7.9	2.05	52.7	1.19	30.2
SECP36BA																			

CATALOG LEGEND



DESCRIPTION	MATERIAL	FINISH
CORD CONNECTOR	SEE NOTES	

SYN	REVISIONS	APP	DATE
5	REVISED TABLE & ADDED CATALOG LEGEND & NOTE 8; REVISED NOTE 7 PER DCN #12763 RCM	JPP	12/6/05
4	ADDED NEW CAT. NO. SECP29GPK500 TO TABLE PER DCN #11935 JMN	JPP	8/19/04
3	ADDED NEW CAT. NO. SECP36GPK50 TO TABLE PER DCN #11408 JMN	JPP	1/6/04
2	ADDED NEW CAT. NO. SECP36BPK50 TO TABLE PER DCN #11315 GDR	JPP	11/6/03
1	RELEASED PER DCN #10665	JVD	3-10-03

THE DESIGN AND DIMENSIONS OF THE PRODUCT SHOWN ON THIS DRAWING ARE SUBJECT TO CHANGE WITHOUT NOTICE

TITLE
PG TYPE CORD CONNECTORS

TOLERANCES UNLESS OTHERWISE SPECIFIED	WIRING DEVICE-KELLEMS HUBBELL INCORPORATED BRIDGEPORT, CT	
FRACTIONS ± 1/64	DR. BY PAC	APP. BY JVD
DECIMALS ± .005	TR. BY	SCALE 2-1
ANGLES ± 2°	CHK'D BY	DATE 2-27-03