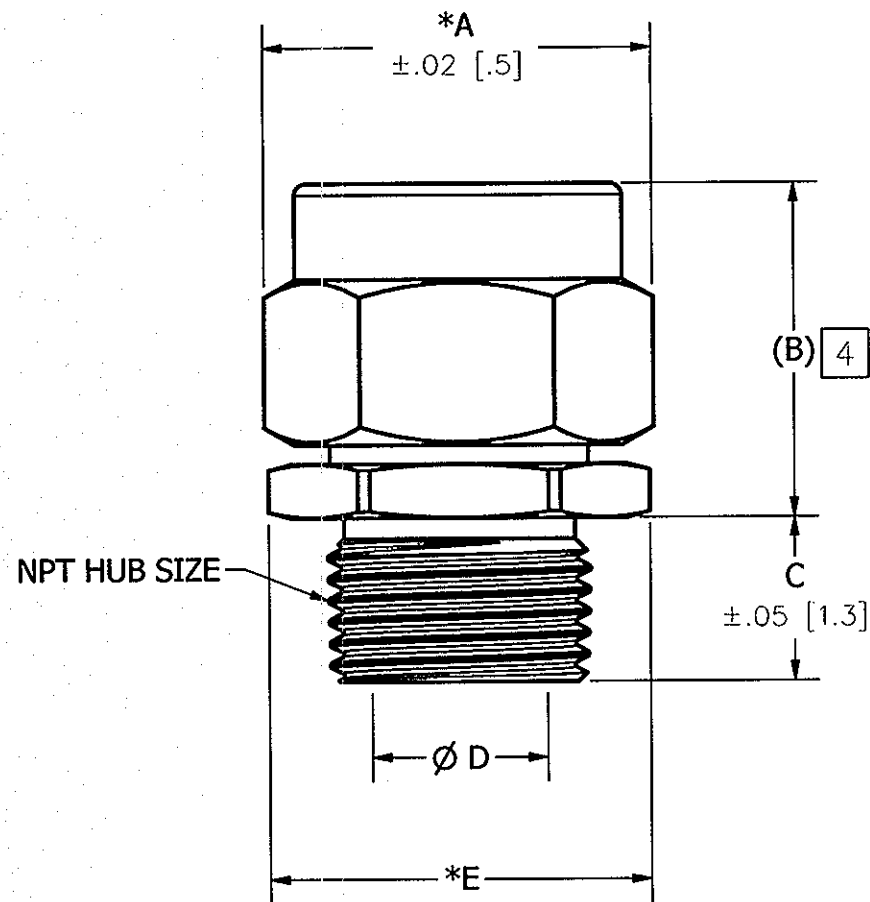


M-12925

1

CATALOG NUMBER	BODY COLOR	GOTCHA RING COLOR CODE	NPT HUB SIZE	CORD DIA. RANGE	*A ACROSS CORNERS	*A ACROSS FLATS	(B) 4	C	ØD (THROAT DIA.)	*E ACROSS CORNERS	*E ACROSS FLATS
SHC1008ZP	ZINC-PLATED STEEL	ORANGE	3/8"	.13-.19 [3.2-4.7]	1.01 [25.7]	.88 [22.4]	.80 [20.3]	.43 [10.9]	.46 [11.7]	.99 [25.1]	.88 [22.4]
SHC1010ZP	ZINC-PLATED STEEL	BLACK	3/8"	.25-.31 [6.3-7.9]	1.01 [25.7]	.88 [22.4]	.80 [20.3]	.43 [10.9]	.46 [11.7]	.99 [25.1]	.88 [22.4]
SHC1012ZP	ZINC-PLATED STEEL	BLUE	3/8"	.38-.44 [9.5-11.0]	1.01 [25.7]	.88 [22.4]	.80 [20.3]	.43 [10.9]	.46 [11.7]	.99 [25.1]	.88 [22.4]

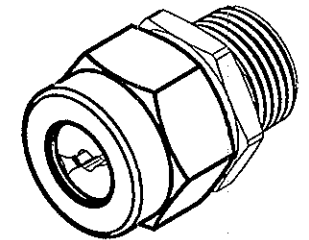


NOTES:

1. DIMENSIONS ARE IN INCHES [MM].
2. LOCKNUT PURCHASED SEPARATELY.
3. BUSHING COATED WITH AMBER PETROLEUM JELLY.
- 4 REFERENCE ONLY, DIMENSION MAY VARY.

LIST OF PARTS

DESCRIPTION	MATERIAL	FINISH
CORD CONN. BODY, STR. MALE	STEEL	ZINC PLATED
NUT	STEEL	ZINC PLATED
BUSHING	BLACK NEOPRENE	SEE NOTE 3
GOTCHA RING	NYLON	SEE TABLE



CATALOG NO. SHC1008ZP  
(NOT SHOWN TO SCALE)

1	INITIAL RELEASE PER DCN 21189	DDL	05/06/15
REV	DESCRIPTION	APP	DATE

THE DESIGN AND DIMENSIONS OF THE PRODUCT SHOWN ON THIS DRAWING ARE SUBJECT TO CHANGE WITHOUT NOTICE

TITLE  
STRAIGHT ZINC PLATED STEEL CORD CONNECTOR FORM 1

TOLERANCES UNLESS OTHERWISE SPECIFIED .XX = ± .01 .XXX = ± .005 ANGLES = ± 2°	WIRING DEVICE-KELLEMS HUBBELL INCORPORATED SHELTON, CT	
	DR. BY SR	APP. BY
	TR. BY	SCALE 2:1
	CHK. BY DDL	DATE 05/06/15