

M-12924

2

LIST OF PARTS

DESCRIPTION	MATERIAL	FINISH
CORD CONN. BODY, MALE	SST	
NUT	SST	
GOTCHA RING	NYLON	SEE TABLE
BUSHING	BLACK NEOPRENE	SEE NOTE 3

CATALOG NUMBER	BODY COLOR	GOTCHA RING	NPT HUB SIZE	CORD DIA. RANGE	*A ACROSS CORNERS	*ACROSS FLATS	(B) 4	C	ØD (THROAT DIA.)	*E ACROSS CORNERS	*E ACROSS FLATS
SHC1041SS	STAINLESS STEEL	YELLOW	1"	.63-.75 [15.9-19.0]	2.02 [51.3]	1.75 [44.4]	1.40 [35.6]	.70 [17.8]	1.02 [25.9]	1.88 [47.8]	1.63 [41.4]
SHC1042SS	STAINLESS STEEL	ORCHID	1"	.75-.88 [19.0-22.2]	2.02 [51.3]	1.75 [44.4]	1.40 [35.6]	.70 [17.8]	1.02 [25.9]	1.88 [47.8]	1.63 [41.4]
SHC1043SS	STAINLESS STEEL	GRAY	1"	.88-1.00 [22.2-25.4]	2.02 [51.3]	1.75 [44.4]	1.40 [35.6]	.70 [17.8]	1.02 [25.9]	1.88 [47.8]	1.63 [41.4]
SHC1044SS	STAINLESS STEEL	PINK	1"	1.00-1.13 [25.4-28.6]	2.02 [51.3]	1.75 [44.4]	1.40 [35.6]	.70 [17.8]	1.02 [25.9]	1.88 [47.8]	1.63 [41.4]

DIMENSION SHEET FOR CAT. NO. SEE TABLE

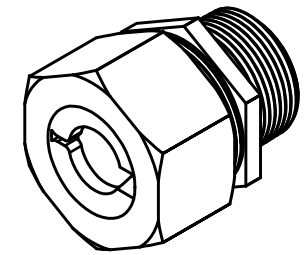
REPAIRABLE

NON-REPAIRABLE

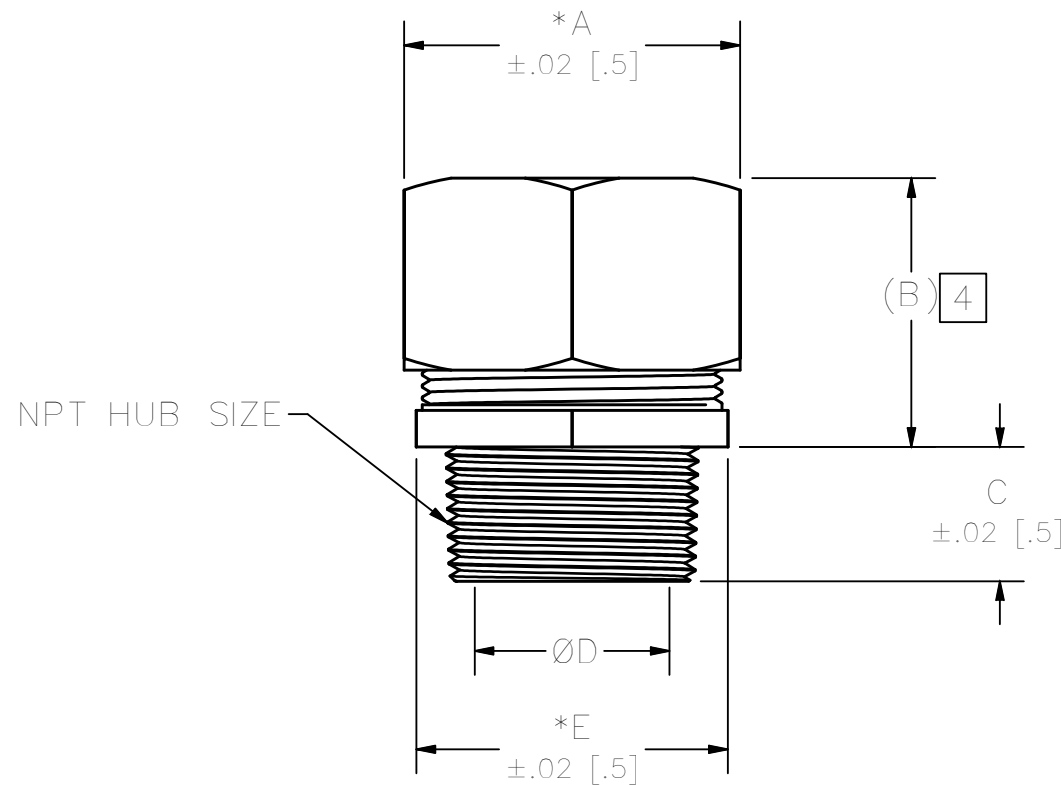
B

M-12924

2



CATALOG NO. SHC1041SS (NOT SHOWN TO SCALE)



2	IN TITLE, CONNECTOR WAS CONECTOR. PER DCN 21988	DDL	03/29/16
1	INITIAL RELEASE PER DCN 21189	DDL	05/06/15
REV	DESCRIPTION	APP	DATE

THE DESIGN AND DIMENSIONS OF THE PRODUCT SHOWN ON THIS DRAWING ARE SUBJECT TO CHANGE WITHOUT NOTICE

TITLE STRAIGHT STAINLESS STEEL CORD CONNECTOR FORM 4

TOLERANCES UNLESS OTHERWISE SPECIFIED .XX = ± .01 .XXX = ± .005 ANGLES = ± 2'	WIRING DEVICE-KELLEMS HUBBELL INCORPORATED SHELTON, CT		
	DR. BY	SR	APP. BY
	TR. BY		SCALE 1:1
	CHK. BY	DDL	DATE 05/06/15

NOTES:

- DIMENSIONS ARE IN INCHES [MM].
- LOCKNUT PURCHASED SEPARATELY.
- BUSHING COATED WITH AMBER PETROLEUM JELLY.
- 4 REFERENCE ONLY, DIMENSION MAY VARY.