

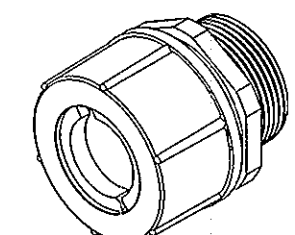
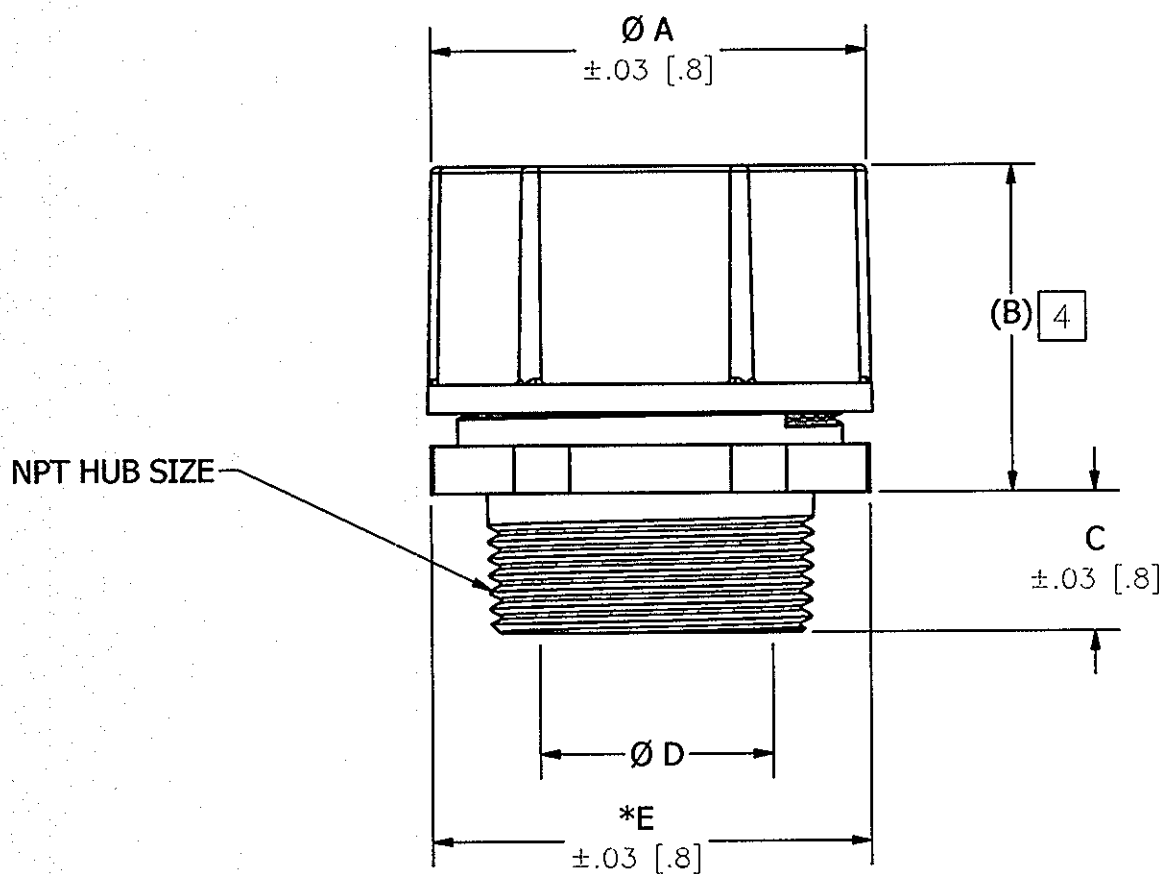
M-12928

1

CATALOG NUMBER	BODY COLOR	GOTCHA RING COLOR CODE	NPT HUB SIZE	CORD DIA. RANGE	ØA (OVERALL)	(B) 4	C	ØD (THROAT DIA.)	*E ACROSS CORNERS	*E ACROSS FLATS
SHC 1052ZP	MALLEABLE IRON	WHITE	1 1/4"	1.00-1.13 [25.4-28.6]	2.40 [61.0]	1.70 [43.2]	.73 [18.5]	1.27 [32.3]	2.48 [63.0]	2.18 [55.4]
SHC 1053ZP	MALLEABLE IRON	WHITE	1 1/4"	1.13-1.25 [28.6-31.7]	2.40 [61.0]	1.70 [43.2]	.73 [18.5]	1.27 [32.3]	2.48 [63.0]	2.18 [55.4]
SHC 1054ZP	MALLEABLE IRON	WHITE	1 1/4"	1.25-1.38 [31.7-34.9]	2.40 [61.0]	1.70 [43.2]	.73 [18.5]	1.27 [32.3]	2.48 [63.0]	2.18 [55.4]
SHC 1057ZP	MALLEABLE IRON	WHITE	1 1/2"	1.00-1.13 [25.4-28.6]	2.40 [61.0]	1.70 [43.2]	.74 [18.8]	1.39 [35.3]	2.48 [63.0]	2.18 [55.4]
SHC 1058ZP	MALLEABLE IRON	WHITE	1 1/2"	1.13-1.25 [28.6-31.7]	2.40 [61.0]	1.70 [43.2]	.74 [18.8]	1.39 [35.3]	2.48 [63.0]	2.18 [55.4]
SHC 1059ZP	MALLEABLE IRON	WHITE	1 1/2"	1.25-1.38 [31.7-34.9]	2.40 [61.0]	1.70 [43.2]	.74 [18.8]	1.39 [35.3]	2.48 [63.0]	2.18 [55.4]

LIST OF PARTS		
DESCRIPTION	MATERIAL	FINISH
CORD CONN. BODY, STR. MALE	MALLEABLE IRON	
NUT	MALLEABLE IRON	
BUSHING	BLACK NEOPRENE	SEE NOTE 3
GOTCHA RING	NYLON	SEE TABLE

DIMENSION SHEET FOR CAT. NO. **M-12928**
 SEE TABLE
 REPAIRABLE
 NON-REPAIRABLE
B
M-12928
1



CATALOG NO. SHC1052ZP
(NOT SHOWN TO SCALE)

1	INITIAL RELEASE PER DCN 21189	DDL	05/06/15
REV	DESCRIPTION	APP	DATE

THE DESIGN AND DIMENSIONS OF THE PRODUCT SHOWN ON THIS DRAWING ARE SUBJECT TO CHANGE WITHOUT NOTICE

TITLE
STRAIGHT STYLE MALLEABLE IRON CORD CONNECTOR FORM 5

TOLERANCES UNLESS OTHERWISE SPECIFIED .XX = ± .01 .XXX = ± .005 ANGLES = ± 2'	WIRING DEVICE-KELLEMS HUBBELL INCORPORATED SHELTON, CT	
	DR. BY SR	APP. BY
	TR. BY	SCALE 1:1
	CHK. BY DDL	DATE 05/06/15

- NOTES:
- DIMENSIONS ARE IN INCHES [MM].
 - LOCKNUT PURCHASED SEPARATELY.
 - BUSHING COATED WITH AMBER PETROLEUM JELLY.
 - 4 REFERENCE ONLY, DIMENSION MAY VARY.