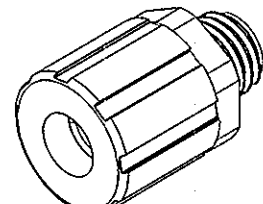


M-12929

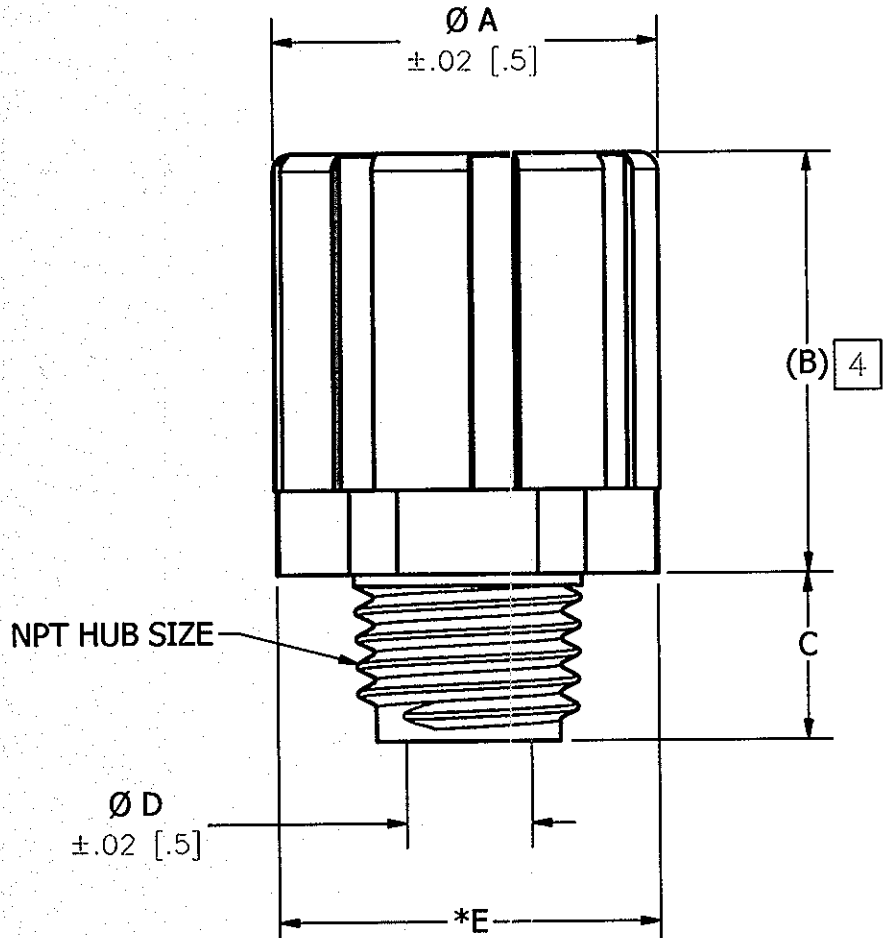
1

CATALOG NUMBER	BODY COLOR	GOTCHA RING COLOR CODE	NPT HUB SIZE	CORD DIA. RANGE	∅A (OVERALL)	(B) [4]	C	∅D (THROAT DIA.)	*E ACROSS CORNERS	*E ACROSS FLATS
SHC 2005CR	BLACK	WHITE	1/4"	.31-.38 [7.9-9.5]	1.00 [25.4]	1.10 [27.9]	.44 [11.2]	.33 [8.4]	.99 [25.1]	.92 [23.4]
SHC 2008CR	BLACK	ORANGE	3/8"	.13-.19 [3.2-4.7]	1.00 [25.4]	1.10 [27.9]	.44 [11.2]	.45 [11.4]	.99 [25.1]	.92 [23.4]
SHC 2010CR	BLACK	BLACK	3/8"	.25-.31 [6.3-7.9]	1.00 [25.4]	1.10 [27.9]	.44 [11.2]	.45 [11.4]	.99 [25.1]	.92 [23.4]
SHC 2011CR	BLACK	WHITE	3/8"	.31-.38 [7.9-9.5]	1.00 [25.4]	1.10 [27.9]	.44 [11.2]	.45 [11.4]	.99 [25.1]	.92 [23.4]
SHC 2012CR	BLACK	BLUE	3/8"	.38-.44 [9.5-11.0]	1.00 [25.4]	1.10 [27.9]	.44 [11.2]	.45 [11.4]	.99 [25.1]	.92 [23.4]
SHC 1001CR	GRAY	GREEN	1/4"	.06-.13 [1.6-3.2]	1.00 [25.4]	1.10 [27.9]	.44 [11.2]	.33 [8.4]	.99 [25.1]	.92 [23.4]
SHC 1002CR	GRAY	ORANGE	1/4"	.13-.19 [3.2-4.7]	1.00 [25.4]	1.10 [27.9]	.44 [11.2]	.33 [8.4]	.99 [25.1]	.92 [23.4]
SHC 1003CR	GRAY	RED	1/4"	.19-.25 [4.7-6.3]	1.00 [25.4]	1.10 [27.9]	.44 [11.2]	.33 [8.4]	.99 [25.1]	.92 [23.4]
SHC 1004CR	GRAY	BLACK	1/4"	.25-.31 [6.3-7.9]	1.00 [25.4]	1.10 [27.9]	.44 [11.2]	.33 [8.4]	.99 [25.1]	.92 [23.4]
SHC 1005CR	GRAY	WHITE	1/4"	.31-.38 [7.9-9.5]	1.00 [25.4]	1.10 [27.9]	.44 [11.2]	.33 [8.4]	.99 [25.1]	.92 [23.4]
SHC 1006CR	GRAY	BLUE	1/4"	.38-.44 [9.5-11.0]	1.00 [25.4]	1.10 [27.9]	.44 [11.2]	.33 [8.4]	.99 [25.1]	.92 [23.4]
SHC 1008CR	GRAY	ORANGE	3/8"	.13-.19 [3.2-4.7]	1.00 [25.4]	1.10 [27.9]	.44 [11.2]	.45 [11.4]	.99 [25.1]	.92 [23.4]
SHC 1009CR	GRAY	RED	3/8"	.19-.25 [4.7-6.3]	1.00 [25.4]	1.10 [27.9]	.44 [11.2]	.45 [11.4]	.99 [25.1]	.92 [23.4]
SHC 1010CR	GRAY	BLACK	3/8"	.25-.31 [6.3-7.9]	1.00 [25.4]	1.10 [27.9]	.44 [11.2]	.45 [11.4]	.99 [25.1]	.92 [23.4]
SHC 1011CR	GRAY	WHITE	3/8"	.31-.38 [7.9-9.5]	1.00 [25.4]	1.10 [27.9]	.44 [11.2]	.45 [11.4]	.99 [25.1]	.92 [23.4]
SHC 1012CR	GRAY	BLUE	3/8"	.38-.44 [9.5-11.0]	1.00 [25.4]	1.10 [27.9]	.44 [11.2]	.45 [11.4]	.99 [25.1]	.92 [23.4]

LIST OF PARTS		
DESCRIPTION	MATERIAL	FINISH
CORD CONN. BODY, STR. MALE	NYLON	SEE TABLE
NUT	NYLON	SEE TABLE
BUSHING	BLACK NEOPRENE	SEE NOTE 3
GOTCHA RING	NYLON	SEE TABLE



CATALOG NO. SHC 2005CR (NOT SHOWN TO SCALE)



- NOTES:
1. DIMENSIONS ARE IN INCHES [MM].
  2. LOCKNUT PURCHASED SEPARATELY.
  3. BUSHING COATED WITH AMBER PETROLEUM JELLY.
  - [4] REFERENCE ONLY, DIMENSION MAY VARY.

1	INITIAL RELEASE PER DCN 21189	DDL	05/06/15
REV	DESCRIPTION	APP	DATE

THE DESIGN AND DIMENSIONS OF THE PRODUCT SHOWN ON THIS DRAWING ARE SUBJECT TO CHANGE WITHOUT NOTICE

TITLE  
**STRAIGHT NYLON CORD CONNECTOR FORM 1**

TOLERANCES UNLESS OTHERWISE SPECIFIED		WIRING DEVICE-KELLEMS HUBBELL INCORPORATED SHELTON, CT	
.XX = ± .01	.XXX = ± .005	DR. BY	SR
ANGLES = ± 2'		TR. BY	
		CHK. BY	DDL
		APP. BY	
		SCALE	2:1
		DATE	05/06/15

DIMENSION SHEET FOR CAT. NO. M-12929  
 REPAIRABLE  NON-REPAIRABLE   
**B**  
 M-12929  
 1