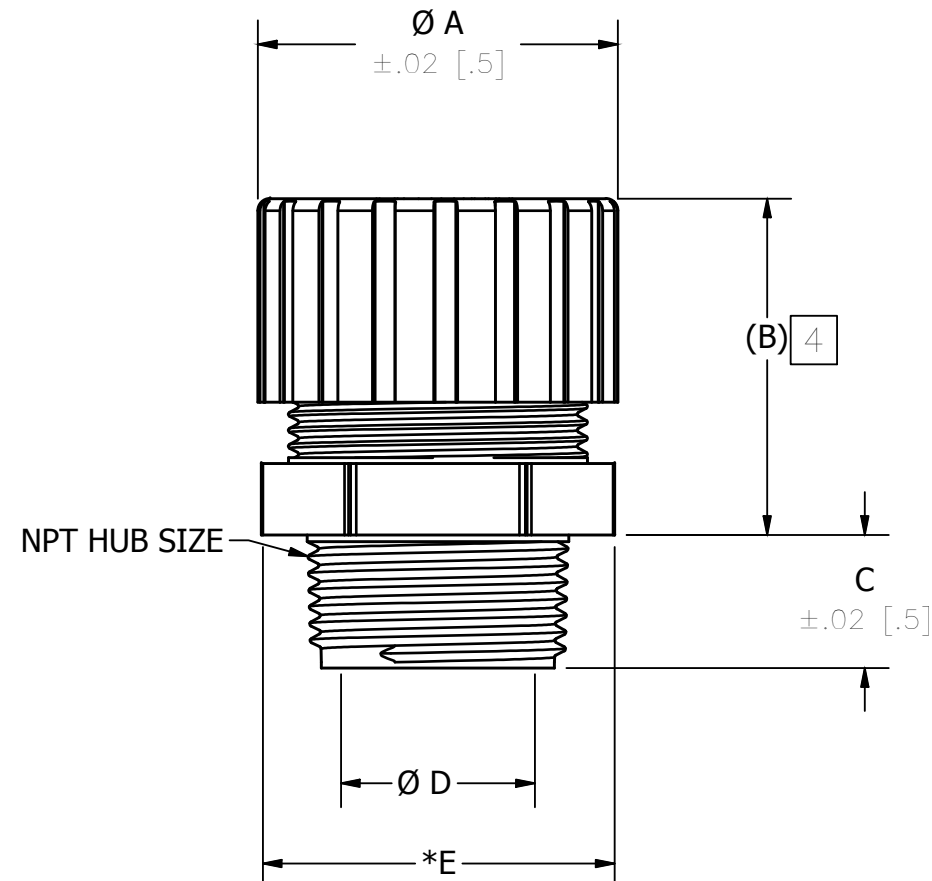


M-12932

2

CATALOG NUMBER	BODY COLOR	GOTCHA RING COLOR CODE	NPT HUB SIZE	CORD DIA. RANGE	ØA (OVERALL)	(B) 4	C	ØD (THROAT DIA.)	*E ACROSS CORNERS	*E ACROSS FLATS
SHC2040CR	BLACK	BROWN	1"	.50-.63 [12.7-15.9]	1.88 [47.8]	1.75 [44.4]	.69 [17.5]	1.01 [25.7]	1.84 [46.7]	1.62 [41.1]
SHC2041CR	BLACK	YELLOW	1"	.63-.75 [15.9-19.0]	1.88 [47.8]	1.75 [44.4]	.69 [17.5]	1.01 [25.7]	1.84 [46.7]	1.62 [41.1]
SHC2042CR	BLACK	ORCHID	1"	.75-.88 [19.0-22.2]	1.88 [47.8]	1.75 [44.4]	.69 [17.5]	1.01 [25.7]	1.84 [46.7]	1.62 [41.1]
SHC2043CR	BLACK	GRAY	1"	.88-1.00 [22.2-25.4]	1.88 [47.8]	1.75 [44.4]	.69 [17.5]	1.01 [25.7]	1.84 [46.7]	1.62 [41.1]
SHC2044CR	BLACK	PINK	1"	1.00-1.13 [25.4-28.6]	1.88 [47.8]	1.75 [44.4]	.69 [17.5]	1.01 [25.7]	1.84 [46.7]	1.62 [41.1]
SHC1039CR	GRAY	BLUE	1"	.38-.50 [9.7-12.7]	1.88 [47.8]	1.80 [45.7]	.69 [17.5]	1.01 [25.7]	1.84 [46.7]	1.62 [41.1]
SHC1040CR	GRAY	BROWN	1"	.50-.63 [12.7-15.9]	1.88 [47.8]	1.80 [45.7]	.69 [17.5]	1.01 [25.7]	1.84 [46.7]	1.62 [41.1]
SHC1041CR	GRAY	YELLOW	1"	.63-.75 [15.9-19.0]	1.88 [47.8]	1.80 [45.7]	.69 [17.5]	1.01 [25.7]	1.84 [46.7]	1.62 [41.1]
SHC1042CR	GRAY	ORCHID	1"	.75-.88 [19.0-22.2]	1.88 [47.8]	1.80 [45.7]	.69 [17.5]	1.01 [25.7]	1.84 [46.7]	1.62 [41.1]
SHC1043CR	GRAY	GRAY	1"	.88-1.00 [22.2-25.4]	1.88 [47.8]	1.80 [45.7]	.69 [17.5]	1.01 [25.7]	1.84 [46.7]	1.62 [41.1]
SHC1044CR	GRAY	PINK	1"	1.00-1.13 [25.4-28.6]	1.88 [47.8]	1.80 [45.7]	.69 [17.5]	1.01 [25.7]	1.84 [46.7]	1.62 [41.1]



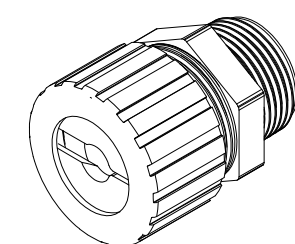
NOTES:

1. DIMENSIONS ARE IN INCHES [MM].
2. LOCKNUT PURCHASED SEPARATELY.
3. BUSHING COATED WITH AMBER PETROLEUM JELLY.
- 4 REFERENCE ONLY, DIMENSION MAY VARY.

CODE 74545

LIST OF PARTS

DESCRIPTION	MATERIAL	FINISH
CORD CONN. BODY, STR. MALE	NYLON	SEE TABLE
NUT	NYLON	SEE TABLE
BUSHING	BLACK NEOPRENE	SEE NOTE 3
GOTCHA RING	NYLON	SEE TABLE



CATALOG NO. SHC2040CR (NOT SHOWN TO SCALE)

REV	DESCRIPTION	APP	DATE
2	UPDATED CATALOG TABLE INFORMATION. PER DCN 21988	DDL	03/29/16
1	INITIAL RELEASE PER DCN 21189	DDL	05/06/15

THE DESIGN AND DIMENSIONS OF THE PRODUCT SHOWN ON THIS DRAWING ARE SUBJECT TO CHANGE WITHOUT NOTICE

TITLE
STRAIGHT NYLON CORD CONNECTOR FORM 4

TOLERANCES UNLESS OTHERWISE SPECIFIED				WIRING DEVICE-KELLEMS HUBBELL INCORPORATED SHELTON, CT			
.XX = ± .01	.XXX = ± .005	ANGLES = ± 2'	DR. BY	SR	APP. BY	SCALE	1:1
			TR. BY	DDL	DATE	05/06/15	

DIMENSION SHEET FOR CAT. NO. 4
 SEE TABLE
 REPAIRABLE
 NON-REPAIRABLE
B
 M-12932
2