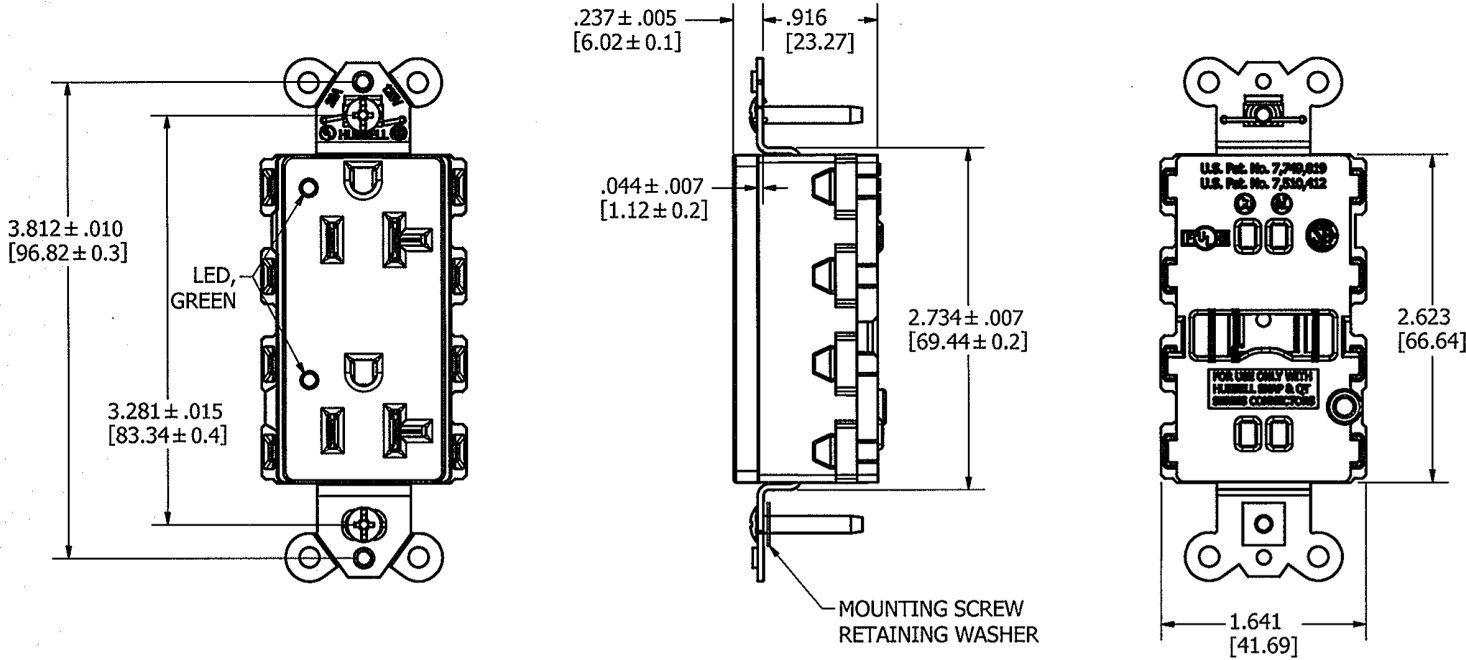


M-12298

2



LIST OF PARTS

DESCRIPTION	MATERIAL	FINISH
TOP	NYLON 6/6	SPI A-3
BASE	NYLON 6/6	SPI A-3
LINE CONTACTS	BRASS	
GROUND CONTACT	BRASS	
BRIDGE	.04 GALV STL	
STAPLE	S.S.	
WASHER	PVC FILM	BLACK
MOUNTING SCREWS	STEEL	ZINC PLT

DIMENSION SHEET FOR CMT. NO. SEE TABLE REPAIRABLE NON-REPAIRABLE

2	05/06/2014 ADDED DIM. .916[23.27]; ADDED "LED, GREEN" PER DCN20512 EB	TLS	
SYM	DESCRIPTION	APPRO	DATE

RATING	BROWN	IVORY	GRAY	WHITE	BLACK	ALMOND	LIGHT ALMOND	OFFICE WHITE	ORANGE	RED	BLUE
15A	SNAP2152L	SNAP2152IL	SNAP2152GYL	SNAP2152WL	SNAP2152BKL	SNAP2152ALL	SNAP2152LAL	--	--	SNAP2152RL	SNAP2152BLL
20A	SNAP2162L	SNAP2162IL	SNAP2162GYL	SNAP2162WL	SNAP2162BKL	SNAP2162ALL	SNAP2162LAL	--	--	SNAP2162RL	SNAP2162BLL

THE DESIGN AND DIMENSIONS OF THE PRODUCT SHOWN ON THIS DRAWING ARE SUBJECT TO CHANGE WITHOUT NOTICE

TITLE
DECORATOR RECEPTACLE, 15/20A 125V
NON IG, LED ONLY

NOTES:
1. DIMENSIONS ARE IN INCHES [MM].
2. ALL DEVICES UL LISTED AND CSA CERTIFIED.

TOLERANCES UNLESS OTHERWISE SPECIFIED FRACTIONS ±1/64 DECIMALS ±.005 ANGLES ±2°	WIRING DEVICE-KELLEMS HUBBELL INCORPORATED SHELTON, CT	
	DR. BY ebazayev	APP. BY
	TR. BY	SCALE
	CHK'D BY	DATE 8/29/2012

CODE 74545

B M-12298

2