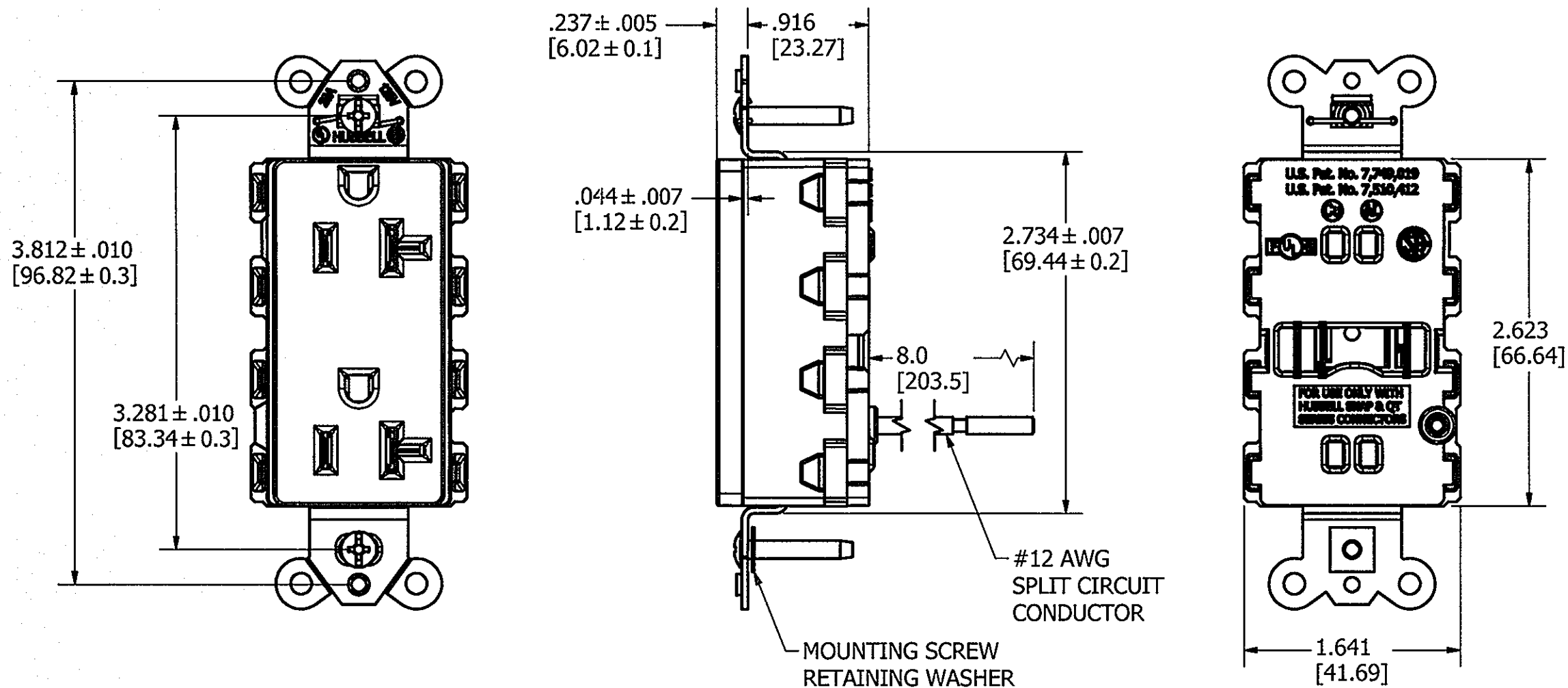


M-12310

2



LIST OF PARTS		
DESCRIPTION	MATERIAL	FINISH
TOP	NYLON 6/6	SPI A-3
BASE	NYLON 6/6	SPI A-3
LINE CONTACTS	BRASS	
GROUND CONTACT	BRASS	
BRIDGE	.04 GALV STL	
STAPLE	S.S.	
WASHER	PVC FILM	BLACK
MOUNTING SCREWS	STEEL	ZINC PLT
WIRE LEAD, PRE-STRIPPED, RED, 12 AWG, 8" LENGTH		

DIMENSION SHEET FOR CAT. NO. SEE TABLE REPAIRABLE  NON-REPAIRABLE

2	05/06/2014 ADDED DIM. .916[23.27] PER DCN20512 EB	TLS	
SYM	DESCRIPTION	APPRO	DATE

RATING	BROWN	IVORY	GRAY	WHITE	BLACK	ALMOND	LIGHT ALMOND	OFFICE WHITE	ORANGE	RED	BLUE
15A	SNAP2152SC	SNAP2152ISC	SNAP2152GYSC	SNAP2152WSC	SNAP2152BKSC	SNAP2152ALSC	SNAP2152LASC	--	--	SNAP2152RSC	SNAP2152BLSC
20A	SNAP2162SC	SNAP2162ISC	SNAP2162GYSC	SNAP2162WSC	SNAP2162BKSC	SNAP2162ALSC	SNAP2162LASC	--	--	SNAP2162RSC	SNAP2162BLSC

THE DESIGN AND DIMENSIONS OF THE PRODUCT SHOWN ON THIS DRAWING ARE SUBJECT TO CHANGE WITHOUT NOTICE

TITLE  
DECORATOR RECEPTACLE, 15/20A 125V SC, NON TR

NOTES:  
 1. DIMENSIONS ARE IN INCHES [MM].  
 2. ALL DEVICES UL LISTED AND CSA CERTIFIED.

TOLERANCES UNLESS OTHERWISE SPECIFIED	WIRING DEVICE-KELLEMS HUBBELL INCORPORATED SHELTON, CT	
FRACTIONS ±1/64	DR. BY <b>ebazayev</b>	APP. BY
DECIMALS ±.005	TR. BY	SCALE
ANGLES ±2°	CHK'D BY	DATE 9/4/2012