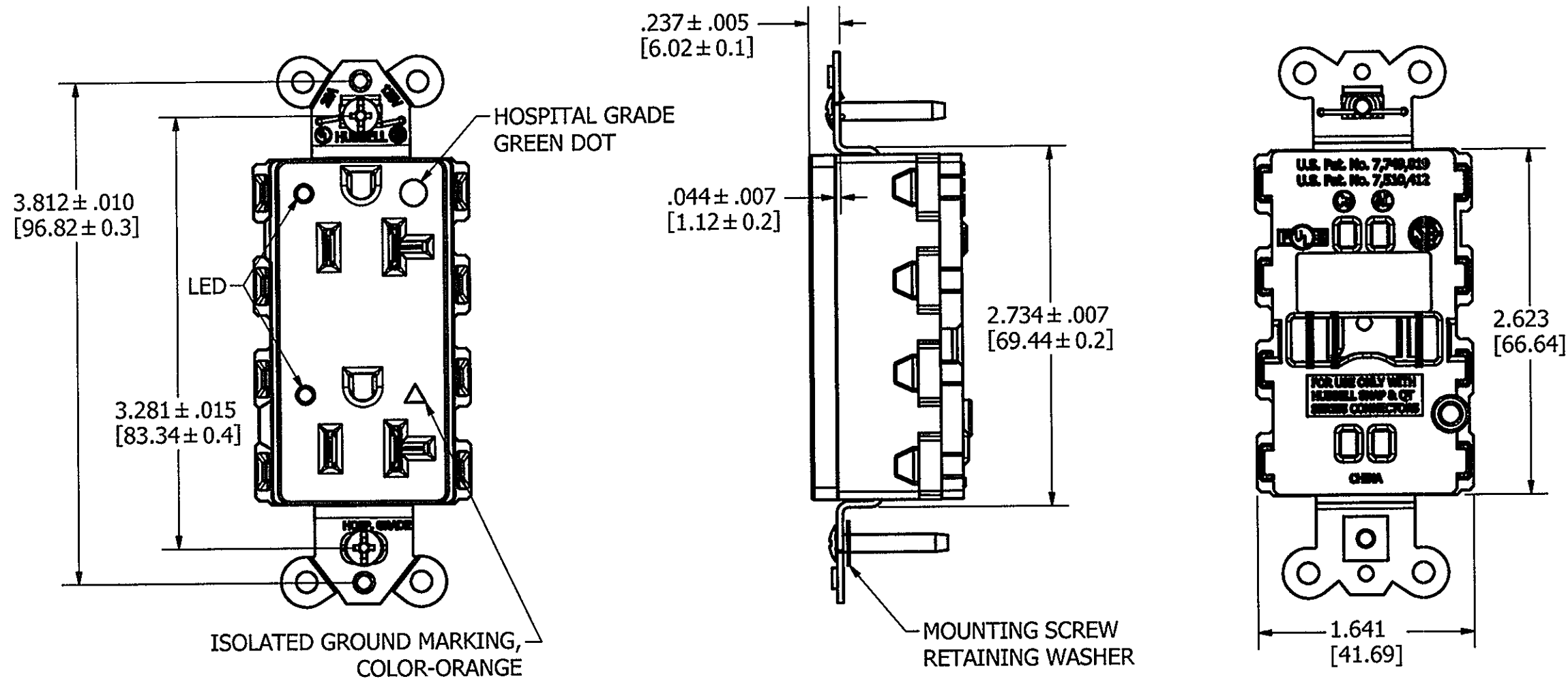


M-12305

2



LIST OF PARTS

DESCRIPTION	MATERIAL	FINISH
TOP	NYLON 6/6	SPI A-3
BASE	NYLON 6/6	SPI A-3
LINE CONTACTS	BRASS	
GROUND CONTACT	BRASS	
SHUNT	BRASS	
BRIDGE	.04 GALV STL	
STAPLE WASHER	S.S.	
MOUNTING SCREWS	STEEL	ZINC PLT
INSULATION PLATE	MITSUBISHI HI S2000	SPI/SPE B1

DIMENSION SHEET FOR CMT. NO. REPAIRABLE NON-REPAIRABLE

2	01/17/2013 UPDATED FOR NEW LOCATION OF HG "DOT" AND IG "TRIANGLE" PER DCN19283 EB	TLS TLS	
SYM	DESCRIPTION	APPRO	DATE

RATING	BROWN	IVORY	GRAY	WHITE	BLACK	ALMOND	LIGHT ALMOND	OFFICE WHITE	ORANGE	RED	BLUE
15A	--	--	--	--	--	--	--	--	SNAP2172IGL	SNAP2172RIGL	--
20A	--	--	--	--	--	--	--	--	SNAP2182IGL	SNAP2182RIGL	

THE DESIGN AND DIMENSIONS OF THE PRODUCT SHOWN ON THIS DRAWING ARE SUBJECT TO CHANGE WITHOUT NOTICE

TITLE
DECORATOR RECEPTACLE, 15/20A 125V IG, LED ONLY, HG

TOLERANCES UNLESS OTHERWISE SPECIFIED	WIRING DEVICE-KELLEMS HUBBELL INCORPORATED SHELTON, CT
FRACTIONS ±1/64	DR. BY ebazayev APP. BY
DECIMALS ±.005	TR. BY
ANGLES ±2°	SCALE
	CHK'D BY
	DATE 9/4/2012

NOTES:
1. DIMENSIONS ARE IN INCHES [MM].
2. ALL DEVICES UL LISTED AND CSA CERTIFIED.

B M-12305