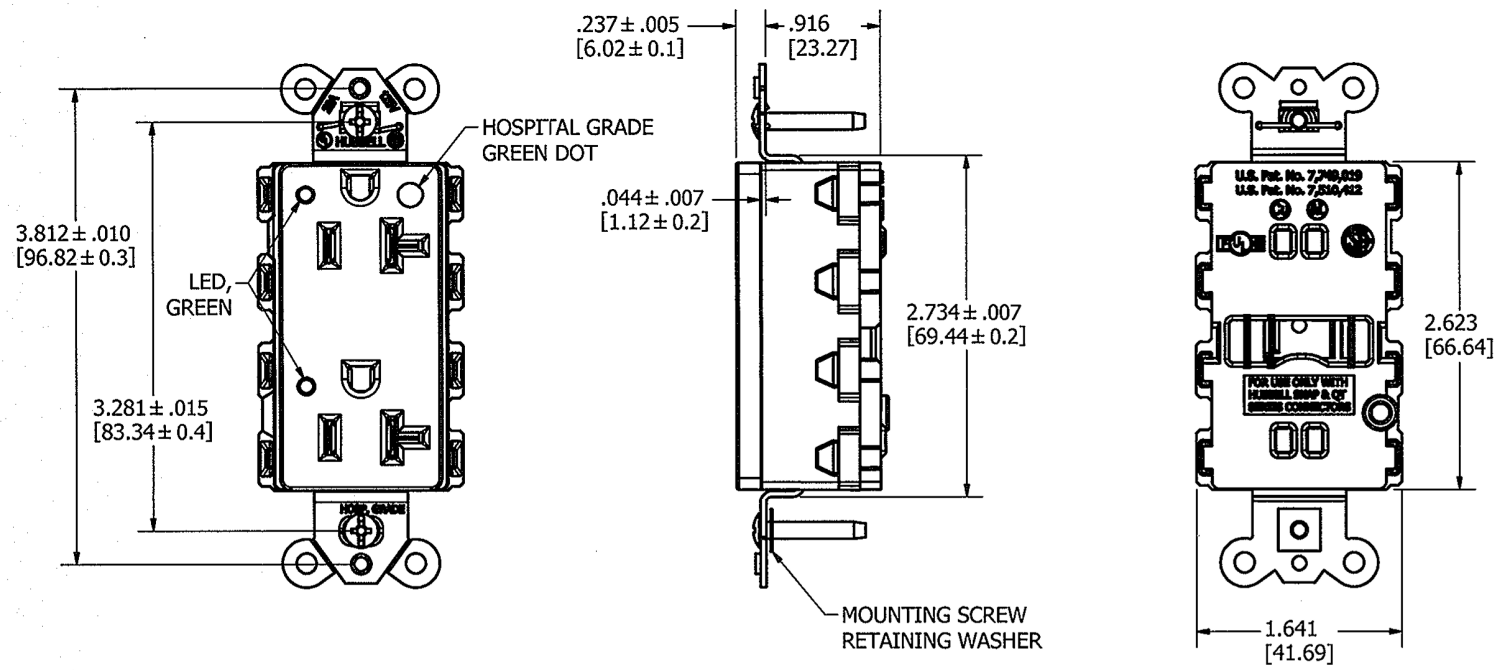


M-12299 2



LIST OF PARTS		
DESCRIPTION	MATERIAL	FINISH
TOP	NYLON 6/6	SPI A-3
BASE	NYLON 6/6	SPI A-3
LINE CONTACTS	BRASS	
GROUND CONTACT	BRASS	
BRIDGE	.04 GALV STL	
STAPLE	S.S.	
WASHER	PVC FILM	BLACK
MOUNTING SCREWS	STEEL	ZINC PLT

DIMENSION SHEET FOR CAT. NO. **SEE TABLE**
 REPAIRABLE NON-REPAIRABLE

2	05/06/2014 ADDED DIM. .916[23.27]; ADDED "LED, GREEN" PER DCN20512 EB	TLS TLS	
SYM	DESCRIPTION	APPRO	DATE

RATING	BROWN	IVORY	GRAY	WHITE	BLACK	ALMOND	LIGHT ALMOND	OFFICE WHITE	ORANGE	RED	BLUE
15A	SNAP2172L	SNAP2172IL	SNAP2172GYL	SNAP2172WL	SNAP2172BKL	SNAP2172ALL	SNAP2172LAL	--	--	SNAP2172RL	--
20A	SNAP2182L	SNAP2182IL	SNAP2182GYL	SNAP2182WL	SNAP2182BKL	SNAP2182ALL	SNAP2182LAL	--	--	SNAP2182RL	--

THE DESIGN AND DIMENSIONS OF THE PRODUCT SHOWN ON THIS DRAWING ARE SUBJECT TO CHANGE WITHOUT NOTICE

TITLE
DECORATOR RECEPTACLE, 15/20A 125V NON IG, LED ONLY, HG

NOTES:
 1. DIMENSIONS ARE IN INCHES [MM].
 2. ALL DEVICES UL LISTED AND CSA CERTIFIED.

TOLERANCES UNLESS OTHERWISE SPECIFIED	WIRING DEVICE-KELLEMS HUBBELL INCORPORATED SHELTON, CT	
FRACTIONS ±1/64	DR. BY ebazayev	APP. BY
DECIMALS ±.005	TR. BY	SCALE
ANGLES ±2°	CHK'D BY	DATE 8/29/2012