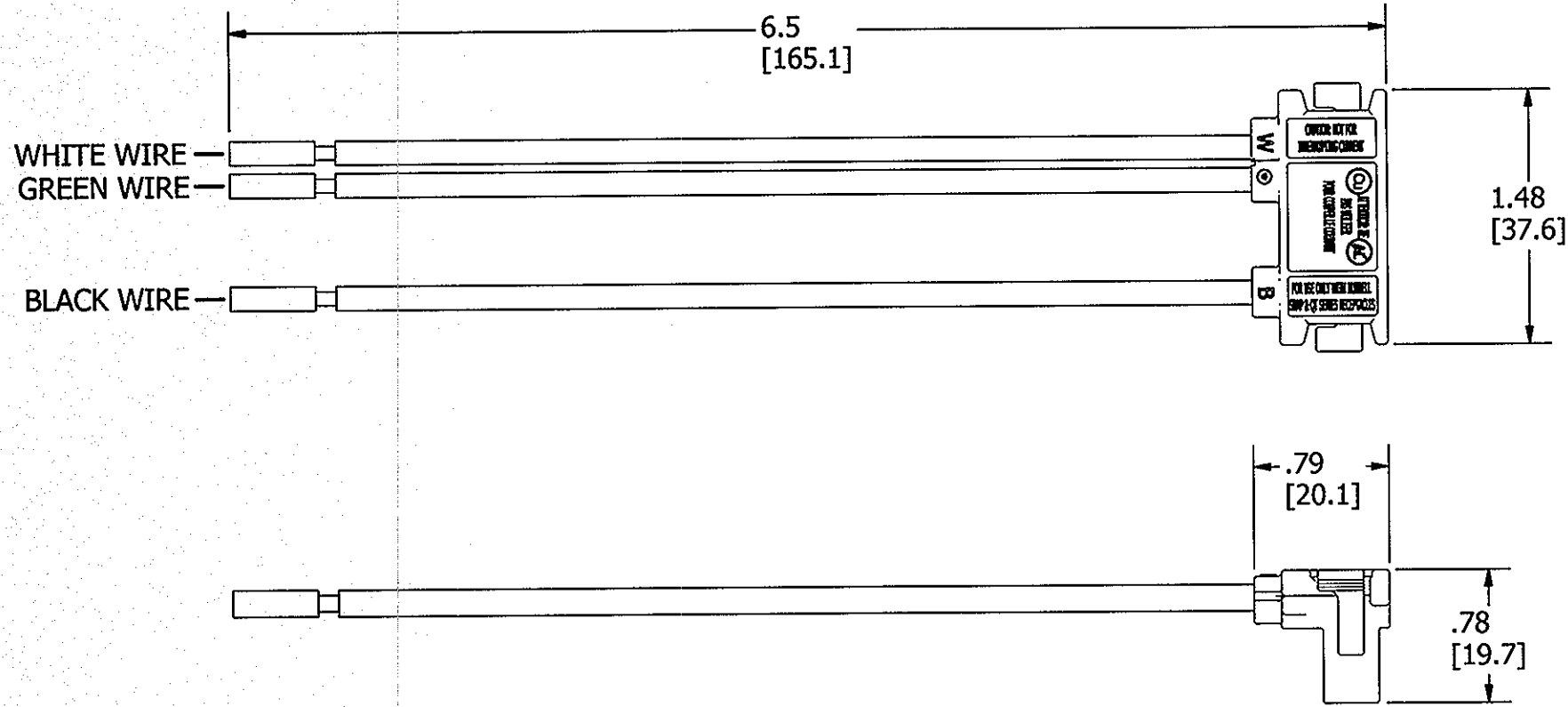


M-12055

2



HAL SNAP CONNECT CONNECTOR		
SNAP1RA	SOLID WIRE	CHINA
SNAP2RA	STRANDED WIRE	CHINA
SNAP1RNA	SOLID WIRE	USA
SNAP2RNA	STRANDED WIRE	USA

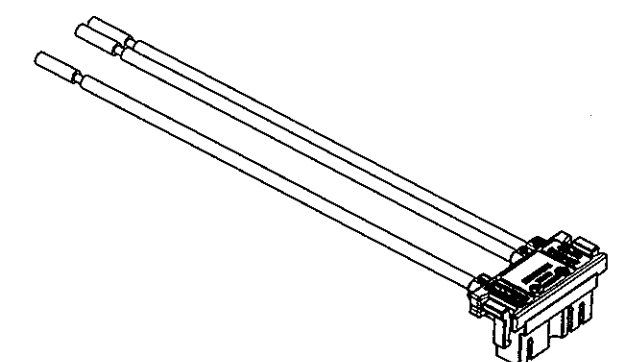
NOTES:

1. DIMENSIONS ARE IN INCHES [mm].
2. MEETS UL943 CLASS A GFCI'S AND UL498 FOR RECEPTACLES.
3. TERMINALS ACCOMODATIONS #12AWG. STRANDED OR SOLID COPPER CONDUCTORS ONLY.

CODE 74545

LIST OF PARTS

DESCRIPTION	MATERIAL	FINISH
CONNECTOR COVER	PC S2000	COLOR GRAY
CONNECTOR BASE	PC S2000	COLOR GRAY
CONNECTOR WIRE/TERM ASSY		



**CATALOG NO: SNAP2RA
(NOT SHOWN TO SCALE)**

2	REDRAWN WITH EMBEDDED CAD MODEL WITH NO CHANGES TO PART GEOMETRY. PER DCN 21895 SPN	DJP	2/5/16
REV	DESCRIPTION	APP	DATE

THE DESIGN AND DIMENSIONS OF THE PRODUCT SHOWN ON THIS DRAWING ARE SUBJECT TO CHANGE WITHOUT NOTICE

TITLE
CUSTOMER DRAWING HAL SNAP CONNECT CONNECTOR

TOLERANCES UNLESS OTHERWISE SPECIFIED		WIRING DEVICE-KELLEMS HUBBELL INCORPORATED SHELTON, CT	
.XX = ± .01	.XXX = ± .005	DR. BY TFB	APP. BY
ANGLES = ± 2°		TR. BY	SCALE 1:1
		CHK. BY	DATE 7-13-11

DIMENSION SHEET FOR CAT. NO. **M-12055**
 REPAIRABLE NON-REPAIRABLE
B
2