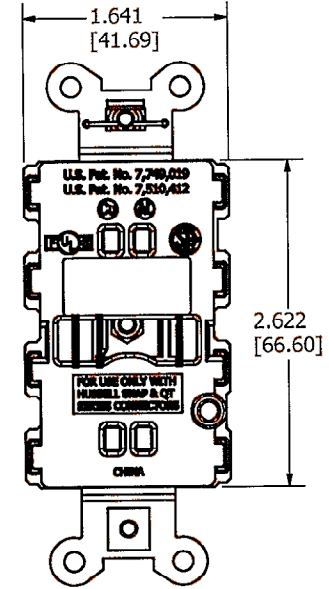
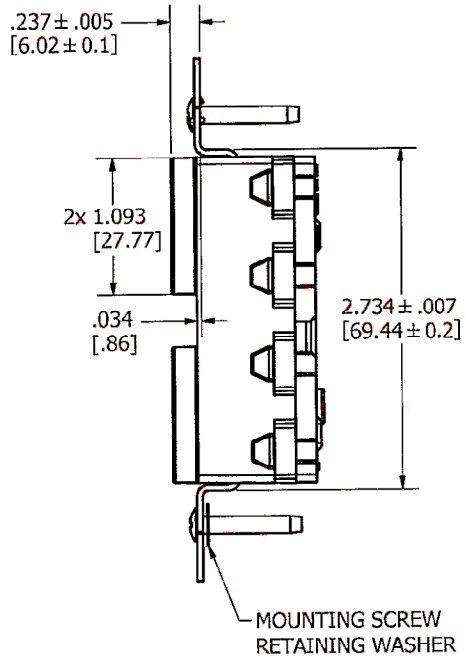
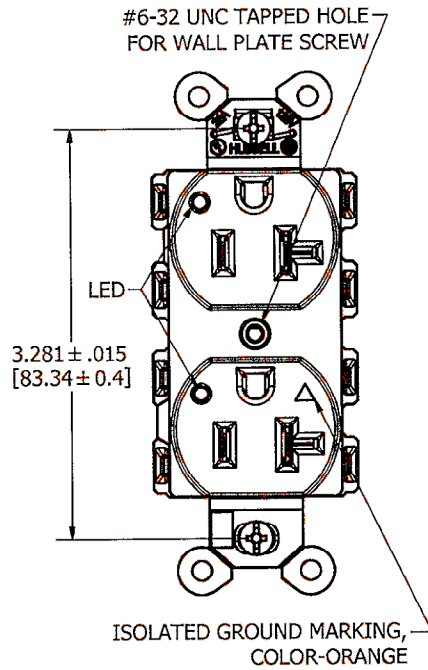


M-12320 3



LIST OF PARTS		
DESCRIPTION	MATERIAL	FINISH
TOP	NYLON 6/6	SPI A-3
BASE	NYLON 6/6	SPI A-3
LINE CONTACTS	BRASS	
GROUND CONTACT	BRASS	
SHUNT	BRASS	
BRIDGE	.04 GALV STL	
STAPLE	S.S.	
WASHER	PVC FILM	BLACK
MOUNTING SCREWS	STEEL	ZINC PLT
INSULATION PLATE	MITSUBISI HI S2000	SPI/SPE B1

DIMENSION SHEET FOR QPL NO. REPAIRABLE NON-REPAIRABLE

3	01/17/2013 UPDATED FOR NEW LOCATION OF IG "TRIANGLE" PER DCN19283 EB	TLS TLS	
	SYM	DESCRIPTION	APPRO DATE

RATING	BROWN	IVORY	GRAY	WHITE	BLACK	ALMOND	LIGHT ALMOND	OFFICE WHITE	ORANGE	RED	BLUE
15A	--	--	--	--	--	--	--	--	SNAP5262IGL	--	--
20A	--	--	--	--	--	--	--	--	SNAP5362IGL	--	--

THE DESIGN AND DIMENSIONS OF THE PRODUCT SHOWN ON THIS DRAWING ARE SUBJECT TO CHANGE WITHOUT NOTICE

TITLE
 DUPLEX RECEPTACLE, 15/20A 125V
 IG, LED ONLY

TOLERANCES UNLESS OTHERWISE SPECIFIED	WIRING DEVICE-KELLEMS HUBBELL INCORPORATED SHELTON, CT	
	DR. BY <u>ebazayev</u>	APP. BY
	TR. BY	SCALE 1:1
	CHK'D BY	DATE 9/5/2012

NOTES:
 1. DIMENSIONS ARE IN INCHES [MM].
 2. ALL DEVICES UL LISTED AND CSA CERTIFIED.