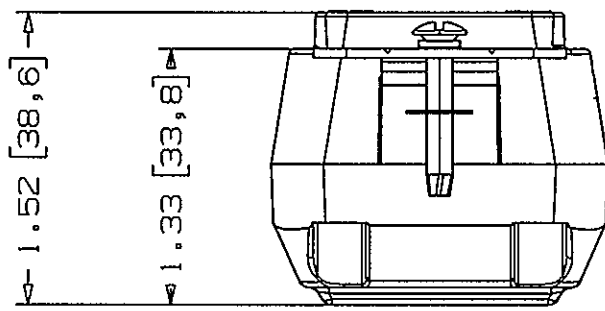
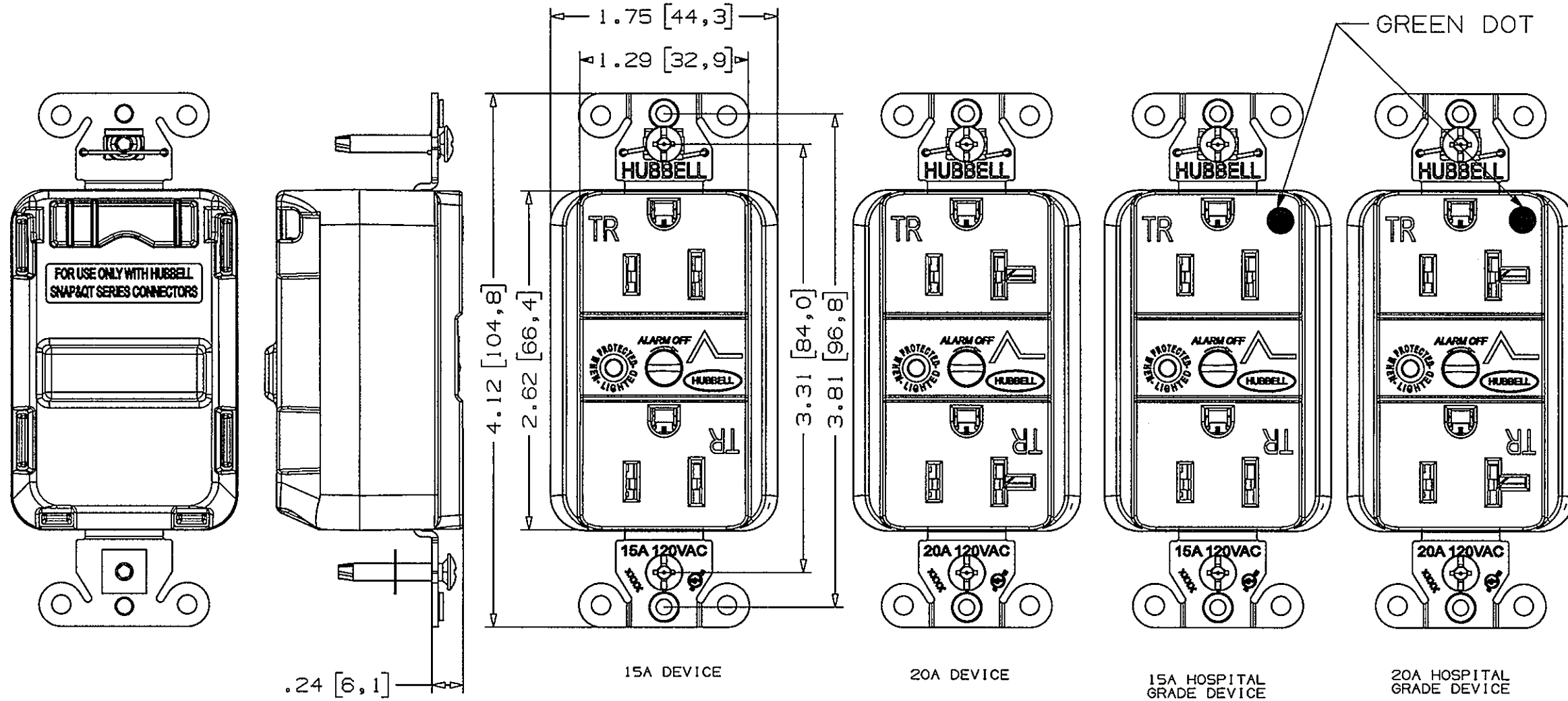


M12254 2



NOTES:
 1. BASE COLOR: BLACK.
 2. ALL DIMENSIONS ARE IN INCHES [mm].
 3. FOR CONNECTION USE WITH CAT# SNAP1RA, SNAP2RA, SNAP1RNA, SNAP2RNA, QT1RA, OR QT2RA.

CODE 74545

CATALOG NO:	DESCRIPTION:	COLOR	RATING
SNAP5262S	15A SURGE RECEPTACLE	BLUE	15A 125V
SNAP5262IS		IVORY	
SNAP5262WS		WHITE	
SNAP5262GYS		GRAY	
SNAP5262LAS		LIGHT ALMOND	
SNAP8262S	15A HOSPITAL GRADE SURGE RECEPTACLE	BLUE	15A 125V
SNAP8262IS		IVORY	
SNAP8262WS		WHITE	
SNAP8262GYS		GRAY	
SNAP8262LAS		LIGHT ALMOND	
SNAP8262RS	RED		
SNAP5362S	20A SURGE RECEPTACLE	BLUE	20A 125V
SNAP5362IS		IVORY	
SNAP5362WS		WHITE	
SNAP5362GYS		GRAY	
SNAP5362LAS		LIGHT ALMOND	
SNAP8362S	20A HOSPITAL GRADE SURGE RECEPTACLE	BLUE	20A 125V
SNAP8362IS		IVORY	
SNAP8362WS		WHITE	
SNAP8362GYS		GRAY	
SNAP8362LAS		LIGHT ALMOND	
SNAP8362RS	RED		

LIST OF PARTS		
DESCRIPTION	MATERIAL	FINISH
COVER	THERMOPLASTIC	
BASE	THERMOPLASTIC	
SHUTTER MECHANISM	THERMOPLASTIC	
STRAP	GALV. STEEL	
MOUNTING SCREW	GALV. STEEL	
TERMINALS	COPPER ALLOY	SILVER PLATED

REPAIRABLE <input type="checkbox"/>	NON-REPAIRABLE <input checked="" type="checkbox"/>
-------------------------------------	--

2	TERMINAL MATERIAL "COPPER ALLOY" WAS "BRASS ALLOY" AND ADD "SILVER PLATE" TO TERMINALS PER DCN 19708.	DL	3/26/2013
1	NEW RELEASE PER DCN 19055	DL	9/7/2012
SYM	REVISIONS	APP	DATE

THE DESIGN AND DIMENSIONS OF THE PRODUCT SHOWN ON THIS DRAWING ARE SUBJECT TO CHANGE WITHOUT NOTICE

TITLE
 TR SNAPConnect 15A/20A SURGE RECEPTACLE

TOLERANCES UNLESS OTHERWISE SPECIFIED	WIRING DEVICE-KELLEMS HUBBELL INCORPORATED BRIDGEPORT, CT	
FRACTIONS ± 1/64	DR. BY N.H	APP. BY
DECIMALS ± .005	TR. BY N.H	SCALE 1:1
ANGLES ± 2°	CHK'D BY C.Z	DATE 12.06.16

DIMENSION SHEET FOR CAT. NO. SEE TABLE REPAIRABLE NON-REPAIRABLE M12254 2