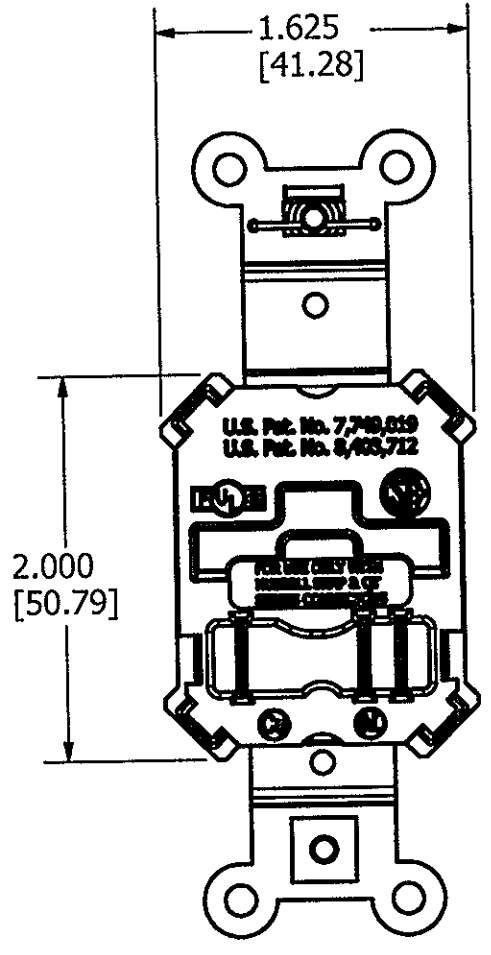
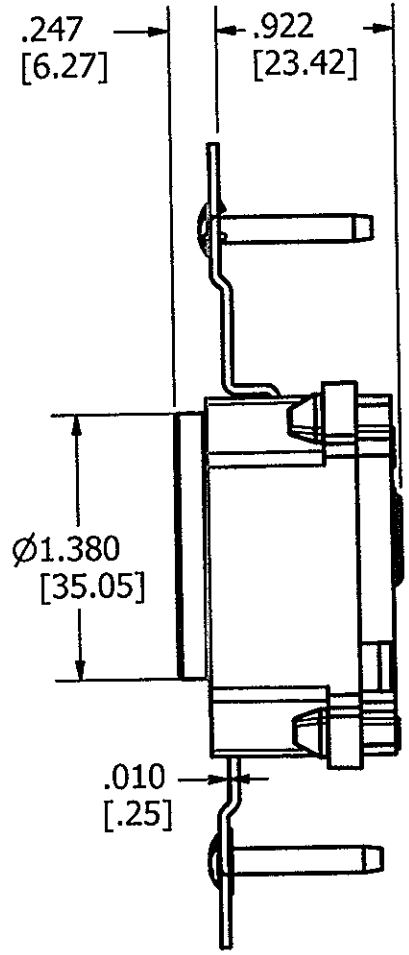
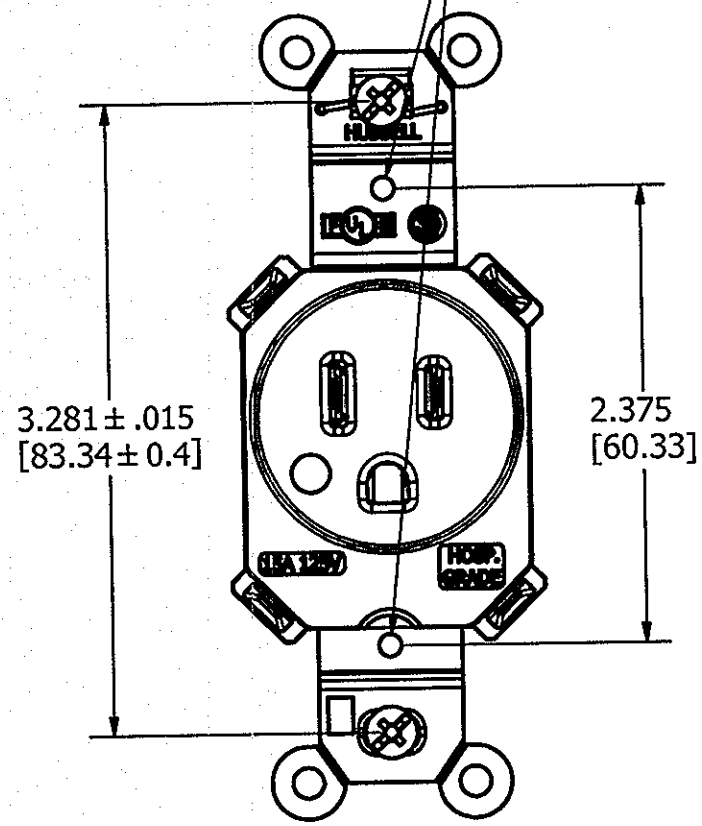


M-13072

1

6-32 UNC TAPPED HOLES FOR WALL PLATE SCREWS



SHOWN 15A RECEPTACLE

RATING	BROWN	IVORY	GRAY	WHITE	BLACK	ALMOND	LIGHT ALMOND	RED	BLUE
15A	SNAP8210	SNAP8210I	SNAP8210GY	SNAP8210W	SNAP8210BK	SNAP8210AL	SNAP8210LA	SNAP8210R	SNAP8210BL
20A	SNAP8310	SNAP8310I	SNAP8310GY	SNAP8310W	SNAP8310BK	SNAP8310AL	SNAP8310LA	SNAP8310R	SNAP8310BL

NOTES:
 1. DIMENSIONS ARE IN INCHES [MM].
 2. ALL DEVICES UL LISTED AND CSA CERTIFIED.

LIST OF PARTS

DESCRIPTION	MATERIAL	FINISH
TOP	NYLON 6/6	SPI A-3
BASE	NYLON 6/6	SPI A-3
LINE CONTACTS	BRASS	
GROUND CONTACT	BRASS	
BRIDGE	.04 GALV STL	
STAPLE	S.S.	
WASHER	PVC FILM	BLACK
MOUNTING SCREWS	STEEL	ZINC PLT

DIMENSION SHEET FOR CAT. NO. SEE TABLE REPAIRABLE NON-REPAIRABLE

1	RELEASED PER DCN21263 EB	TLS	07/06/2015
SYM	DESCRIPTION	APPRO	DATE

THE DESIGN AND DIMENSIONS OF THE PRODUCT SHOWN ON THIS DRAWING ARE SUBJECT TO CHANGE WITHOUT NOTICE

TITLE
 SINGLE SNAP CONNECT RECEPTACLE, 15/20A 125V HOSP. GRADE, NON TR

TOLERANCES UNLESS OTHERWISE SPECIFIED	FRACTIONS ±1/64	DECIMALS ±.005	ANGLES ±2°
WIRING DEVICE-KELLEMS HUBBELL INCORPORATED SHELTON, CT	DR. BY ebazayev	APP. BY TLS	
	TR. BY	SCALE 1:1	
	CHK'D BY TLS	DATE 7/6/2015	

B M-13072 1