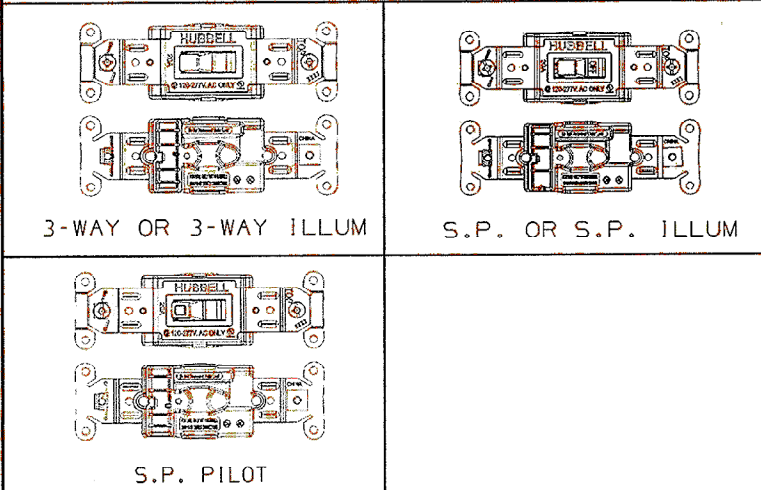
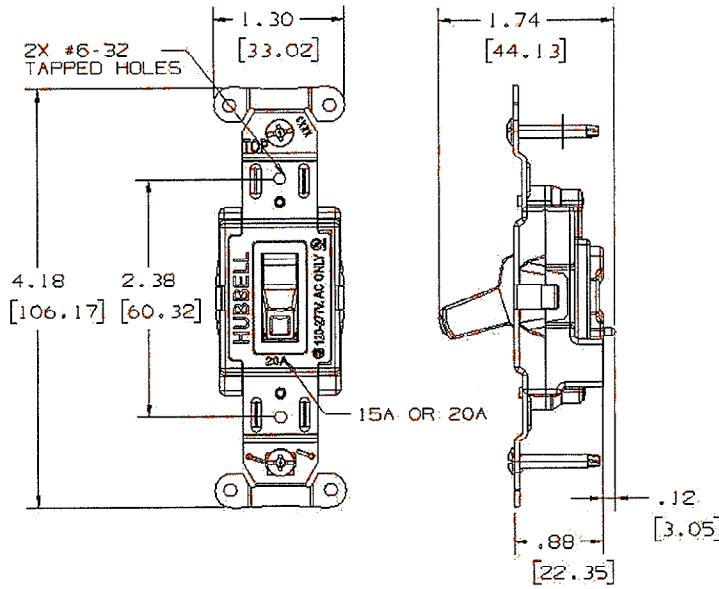


M-11586 4



3-WAY OR 3-WAY ILLUM

S.P. OR S.P. ILLUM

S.P. PILOT

CODE 74545

CATALOG NO	RATING/TYPE	TOGGLE COLOR
SNAP1201BR*	15A 120-277VAC S.P.	BROWN
SNAP1201GY*	15A 120-277VAC S.P.	GRAY
SNAP1201I*	15A 120-277VAC S.P.	IVORY
SNAP1201R*	15A 120-277VAC S.P.	RED
SNAP1201W*	15A 120-277VAC S.P.	WHITE
SNAP1201BK*	15A 120-277VAC S.P.	BLACK
SNAP1201LA*	15A 120-277VAC S.P.	LIGHT ALMOND
SNAP1201LC*	15A 120-277VAC S.P. ILLUM	CLEAR
SNAP1201LI*	15A 120-277VAC S.P. ILLUM	IVORY
SNAP1201LR*	15A 120-277VAC S.P. ILLUM	RED
SNAP1201LBK*	15A 120-277VAC S.P. ILLUM	BLACK
SNAP1201LW*	15A 120-277VAC S.P. ILLUM	WHITE
SNAP1201PLC*	15A 120-277VAC S.P. PILOT	CLEAR
SNAP1201PLI*	15A 120-277VAC S.P. PILOT	IVORY
SNAP1201PLR*	15A 120-277VAC S.P. PILOT	RED
SNAP1201PLBK*	15A 120-277VAC S.P. PILOT	BLACK
SNAP1201PLW*	15A 120-277VAC S.P. PILOT	WHITE
SNAP1203BR*	15A 120-277VAC 3-WAY	BROWN
SNAP1203GY*	15A 120-277VAC 3-WAY	GRAY
SNAP1203I*	15A 120-277VAC 3-WAY	IVORY
SNAP1203R*	15A 120-277VAC 3-WAY	RED
SNAP1203W*	15A 120-277VAC 3-WAY	WHITE
SNAP1203BK*	15A 120-277VAC 3-WAY	BLACK
SNAP1203LA*	15A 120-277VAC 3-WAY	LIGHT ALMOND
SNAP1203LC*	15A 120-277VAC 3-WAY ILLUM	CLEAR
SNAP1203LI*	15A 120-277VAC 3-WAY ILLUM	IVORY
SNAP1203LR*	15A 120-277VAC 3-WAY ILLUM	RED
SNAP1203LBK*	15A 120-277VAC 3-WAY ILLUM	BLACK
SNAP1203LW*	15A 120-277VAC 3-WAY ILLUM	WHITE
SNAP1221BR*	20A 120-277VAC S.P.	BROWN
SNAP1221GY*	20A 120-277VAC S.P.	GRAY
SNAP1221I*	20A 120-277VAC S.P.	IVORY
SNAP1221R*	20A 120-277VAC S.P.	RED
SNAP1221W*	20A 120-277VAC S.P.	WHITE
SNAP1221BK*	20A 120-277VAC S.P.	BLACK
SNAP1221LA*	20A 120-277VAC S.P.	LIGHT ALMOND
SNAP1221LC*	20A 120-277VAC S.P. ILLUM	CLEAR
SNAP1221LI*	20A 120-277VAC S.P. ILLUM	IVORY
SNAP1221LR*	20A 120-277VAC S.P. ILLUM	RED
SNAP1221LBK*	20A 120-277VAC S.P. ILLUM	BLACK
SNAP1221LW*	20A 120-277VAC S.P. ILLUM	WHITE
SNAP1221PLC*	20A 120-277VAC S.P. PILOT	CLEAR
SNAP1221PLI*	20A 120-277VAC S.P. PILOT	IVORY
SNAP1221PLW*	20A 120-277VAC S.P. PILOT	WHITE
SNAP1221PLR*	20A 120-277VAC S.P. PILOT	RED
SNAP1223BR*	20A 120-277VAC 3-WAY	BROWN
SNAP1223GY*	20A 120-277VAC 3-WAY	GRAY
SNAP1223I*	20A 120-277VAC 3-WAY	IVORY
SNAP1223R*	20A 120-277VAC 3-WAY	RED
SNAP1223W*	20A 120-277VAC 3-WAY	WHITE
SNAP1223BK*	20A 120-277VAC 3-WAY	BLACK
SNAP1223LA*	20A 120-277VAC 3-WAY	LIGHT ALMOND
SNAP1223LC*	20A 120-277VAC 3-WAY ILLUM	CLEAR
SNAP1223LI*	20A 120-277VAC 3-WAY ILLUM	IVORY
SNAP1223LR*	20A 120-277VAC 3-WAY ILLUM	RED
SNAP1223LBK*	20A 120-277VAC 3-WAY ILLUM	BLACK
SNAP1223LW*	20A 120-277VAC 3-WAY ILLUM	WHITE

NOTES:  
 1. COVER COLOR: GREY  
 2. BASE COLOR: BLACK  
 3. ALL DIMENSIONS ARE IN INCHES AND (MILLIMETERS)  
 4. CATALOG NOS. MARKED WITH AN \* MAY BE FOLLOWED BY "NA".

LIST OF PARTS		
DESCRIPTION	MATERIAL	FINISH
LENS	THERMOPLASTIC	NONE
TOGGLE LIGHTING	THERMOPLASTIC	NONE
TOGGLE	THERMOPLASTIC	NONE
COVER	THERMOPLASTIC	NONE
BASE	THERMOPLASTIC	NONE
RUBBER BUMPER	ELASTOMER	NONE
RIVET PIN	STEEL	ZINC PLATED
GROUND SPRING	STEEL	NONE
MOUNTING SCREW	STEEL	ZINC PLATED
WASHER	THERMOPLASTIC	NONE
STRAP	STEEL	ZINC PLATED
GROUND TERMINAL	BRASS ALLOY	BRIGHT DIP
ACTUATOR SPRING	SPRING WIRE	NONE
SPRING HOLDER	BRASS ALLOY	NONE
STATIONARY TERMINAL	BRASS ALLOY	BRIGHT DIP
BRUSH TERMINAL	BRASS ALLOY	BRIGHT DIP
CROSSOVER TERMINAL	BRASS ALLOY	BRIGHT DIP
SILVER CONTACT	SILVER ALLOY	NONE
RIVET	BRASS ALLOY	NONE
LED ASSEMBLY	LED/DIODE RESISTOR	NONE

SYN	REVISIONS	APP	DATE
4	10/10/11 ADDED CAT NUMBER SNAP1221ILBK PER DCN18396		10/10/11
3	TO CAT NOS. ADDED *. ADDED NOTE 4. DCN17792		6/27/11
2	ADDED CAT NOS. 1201ILBK, 1201ILW, 1201ILBK, 1201PLW, 1203ILBK, 1203ILW, 1221ILW, 1221PLW, 1223ILBK, 1223ILW DCN17501 SEE	SRE	2/28/11
1	RELEASED FOR PRODUCTION PER DCN16897	C.Z.	10/4/2010

THE DESIGN AND DIMENSIONS OF THE PRODUCT SHOWN ON THIS DRAWING ARE SUBJECT TO CHANGE WITHOUT NOTICE

TITLE  
 SNAP CONNECT  
 15A & 20A SNAP TOGGLE SWITCH, HUBBELL

TOLERANCES UNLESS OTHERWISE SPECIFIED	FRACCTIONS : 1/64	DECIMALS : .005	ANGLES : 2°
WIRING DEVICE-KELLENS HUBBELL INCORPORATED BRIDGEPORT, CT	DR. BY R.L.	APP. BY	
	TR. BY J.X.	SCALE 1:1	
	CHK'D BY C.Z.	DATE 08/04/2010	

DIMENSION SHEET FOR CAT. NO. M-11586  
 REPAIRABLE  NON-REPAIRABLE   
 SEE TABLE  
 4

M-12102 1

CATALOG NO	RATING/TYPE	TOGGLE COLOR
SNAP3WJUMP	20A 120-277VAC 3-WAY ILLUM	BLACK
SNAPSWJUMP	20A 120-277VAC S.P. ILLUM	BLACK

LIST OF PARTS

DESCRIPTION	MATERIAL	FINISH
LENS	THERMOPLASTIC	NONE
TOGGLE LIGHTING	THERMOPLASTIC	NONE
TOGGLE	THERMOPLASTIC	NONE
COVER	THERMOPLASTIC	NONE
BASE	THERMOPLASTIC	NONE
RUBBER BUMPER	ELASTOMER	NONE
RIVET PIN	STEEL	ZINC PLATED
STRAP	STEEL	ZINC PLATED
GROUND TERMINAL	BRASS ALLOY	BRIGHT DIP
ACTUATOR SPRING	SPRING WIRE	NONE
SPRING HOLDER	BRASS ALLOY	NONE
STATIONARY TERMINAL	BRASS ALLOY	BRIGHT DIP
BRUSH TERMINAL	BRASS ALLOY	BRIGHT DIP
CROSSOVER TERMINAL	BRASS ALLOY	BRIGHT DIP
SILVER CONTACT	SILVER ALLOY	NONE
CROSSOVER RIVET	BRASS ALLOY	NONE
LED ASSEMBLY	LED/DIODE /RESISTOR	NONE

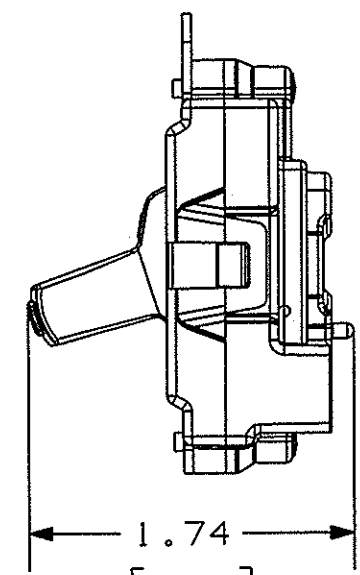
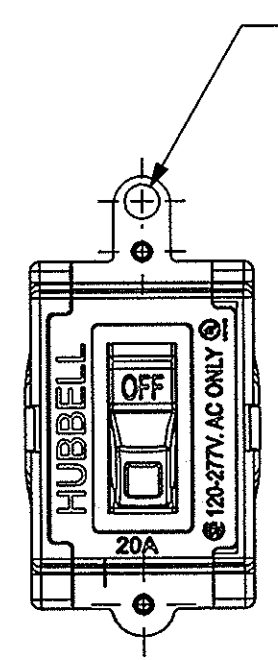
DIMENSION SHEET FOR CAT. NO. SEE TABLE

REPAIRABLE  NON-REPAIRABLE

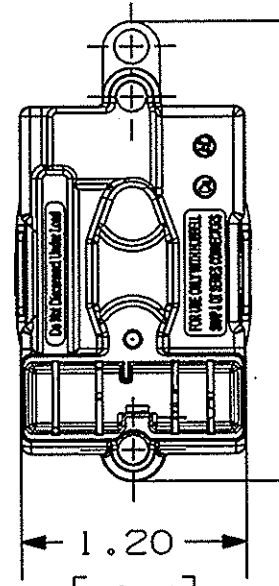
B

M-12102

1

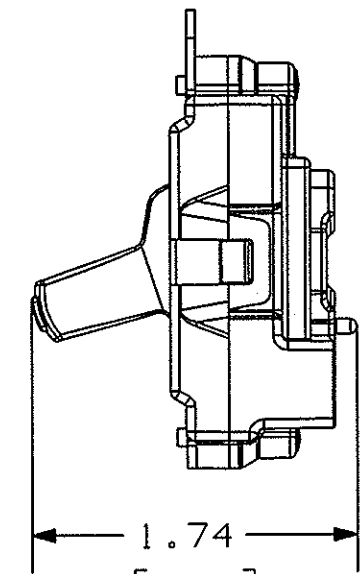
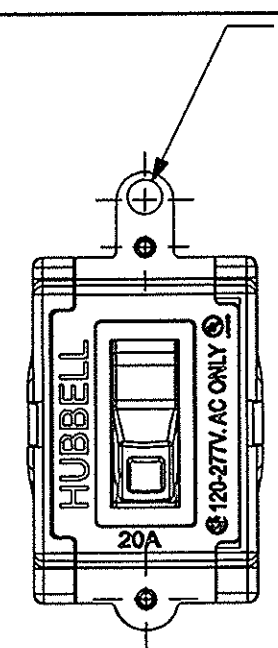


1.74  
[44, 3]

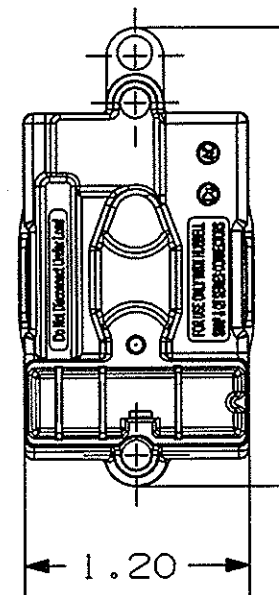


2.48  
[63, 0]

3-WAY ILLUM



1.74  
[44, 3]



2.48  
[63, 0]

S.P. ILLUM

- NOTES:  
 1. COVER COLOR: RED  
 2. BASE COLOR: BLACK  
 3. ALL DIMENSIONS ARE IN INCHES AND (MILLIMETERS)

1	RELEASED FOR PRODUCTION PER DCN18396	DMP	10/10/2011
SYM	REVISIONS	APP	DATE

THE DESIGN AND DIMENSIONS OF THE PRODUCT SHOWN ON THIS DRAWING ARE SUBJECT TO CHANGE WITHOUT NOTICE

TITLE  
 SNAP CONNECT  
 20A SNAP TOGGLE JUMPER SWITCH, HUBBELL

TOLERANCES UNLESS OTHERWISE SPECIFIED		WIRING DEVICE-KELLEMS HUBBELL INCORPORATED BRIDGEPORT, CT	
FRACTIONS	± 1/64	DR. BY	DMP APP. BY
DECIMALS	± .005	TR. BY	SCALE 1:1
ANGLES	± 2'	CHK'D BY	DATE 10/10/11