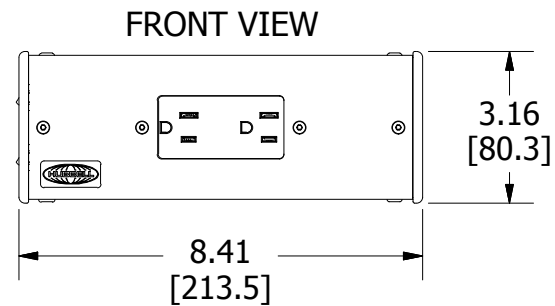
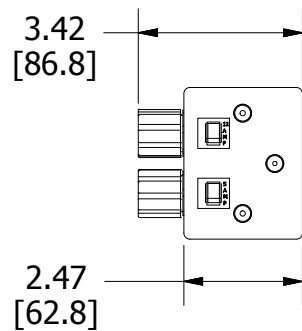
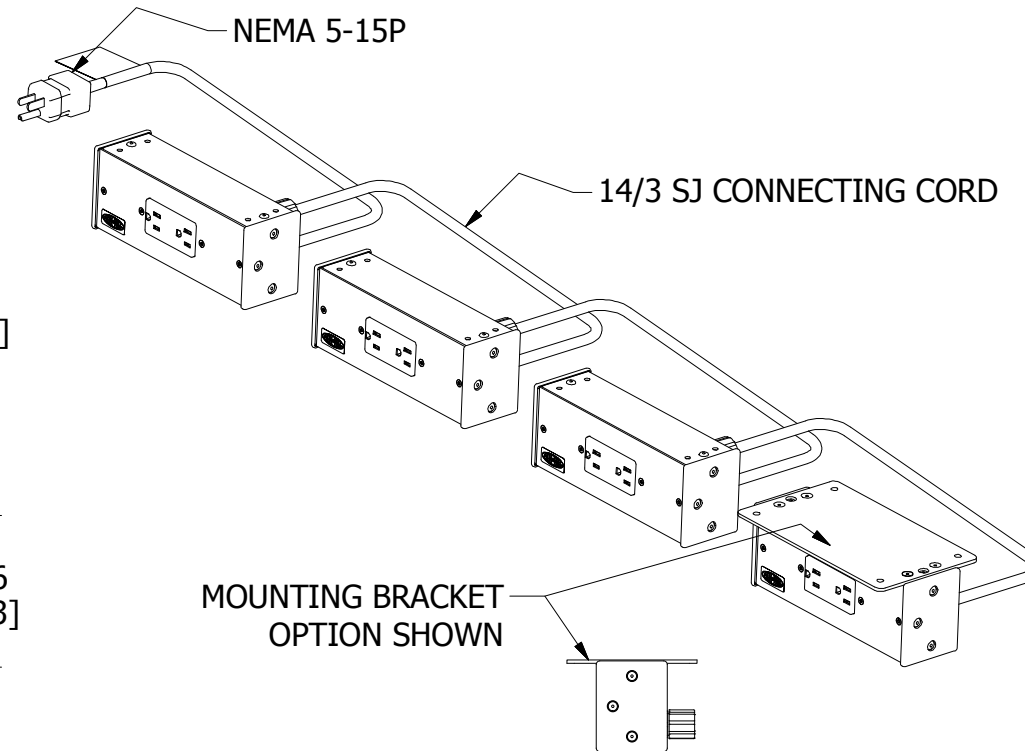
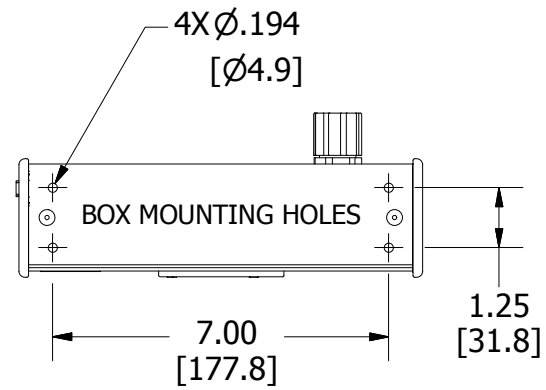
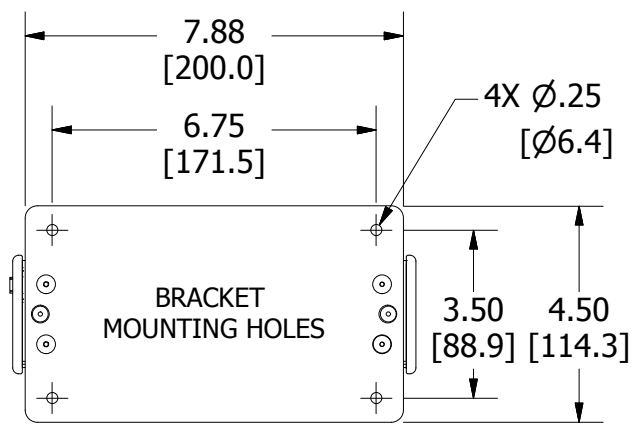


M-13530

1



LIST OF PARTS		
DESCRIPTION	MATERIAL	FINISH
HOUSING	ALUMIMUM	SATIN ANODIZE
END CAPS	ZYTEL	BLACK
RECEPTACLE	NYLON	GRAY
RIVETS	ALUMINUM	
FACE SCREW	STEEL	ZINC PLATE
STRAIN RELIEF	NYLON	
CORD PLUG	NYLON	
PLUG BLADES	BRASS	
BRACKET	STEEL	BLACK

CAT NO.	DESCRIPTION	BOX COUNT	RECEPTACLE	PLUG CORD LENGTH	CONNECTING CORD LENGTH	MOUNTING BRACKET?
SP15USB1	1 SEAT PWR BOX, USB, 10FT PLUG	1	15A TR USB	10 FT	N/A	NO
SP15USB1B	1 SEAT PWR BOX, USB, 10FT PLUG, BRACKET	1	15A TR USB	10 FT	N/A	YES
SP15USB2	2 SEAT PWR BOX, USB, 10FT PLUG	2	15A TR USB	10 FT	5 FT	NO
SP15USB2B	2 SEAT PWR BOX, USB, 10FT PLUG, BRACKET	2	15A TR USB	10 FT	5 FT	YES
SP15USB3	3 SEAT PWR BOX, USB, 10FT PLUG	3	15A TR USB	10 FT	5 FT	NO
SP15USB3B	3 SEAT PWR BOX, USB, 10FT PLUG, BRACKET	3	15A TR USB	10 FT	5 FT	YES
SP15USB4	4 SEAT PWR BOX, USB, 10FT PLUG	4	15A TR USB	10 FT	5 FT	NO
SP15USB4B	4 SEAT PWR BOX, USB, 10FT PLUG, BRACKET	4	15A TR USB	10 FT	5 FT	YES
SP15DR1	1 SEAT PWR BOX, DECO, 10FT PLUG	1	15A TR DECO	10 FT	N/A	NO
SP15DR1B	1 SEAT PWR BOX, DECO, 10FT PLUG, BRACKET	1	15A TR DECO	10 FT	N/A	YES
SP15DR2	2 SEAT PWR BOX, DECO, 10FT PLUG	2	15A TR DECO	10 FT	5 FT	NO
SP15DR2B	2 SEAT PWR BOX, DECO, 10FT PLUG, BRACKET	2	15A TR DECO	10 FT	5 FT	YES
SP15DR3	3 SEAT PWR BOX, DECO, 10FT PLUG	3	15A TR DECO	10 FT	5 FT	NO
SP15DR3B	3 SEAT PWR BOX, DECO, 10FT PLUG, BRACKET	3	15A TR DECO	10 FT	5 FT	YES
SP15DR4	4 SEAT PWR BOX, DECO, 10FT PLUG	4	15A TR DECO	10 FT	5 FT	NO
SP15DR4B	4 SEAT PWR BOX, DECO, 10FT PLUG, BRACKET	4	15A TR DECO	10 FT	5 FT	YES

1	INITIAL RELEASE PER DCN 22746	DJR	2/1/2017
REV	DESCRIPTION	APP	DATE

THE DESIGN AND DIMENSIONS OF THE PRODUCT SHOWN ON THIS DRAWING ARE SUBJECT TO CHANGE WITHOUT NOTICE. DIMENSIONS ARE IN INCHES [mm].

TITLE  
**SEATING OUTLET BOX**



WIRING DEVICE-KELLEMS  
HUBBELL INCORPORATED  
SHELTON, CT

TOLERANCES UNLESS OTHERWISE SPECIFIED .XX = ± .01 .XXX = ± .005 ANGLE TOL. ±2'	DR. BY DJR	SCALE N/A
	CHK. BY	DATE 11/14/16

DIMENSION SHEET FOR CAT. NO. **M-13530** **1**  
**SEE TABLE**