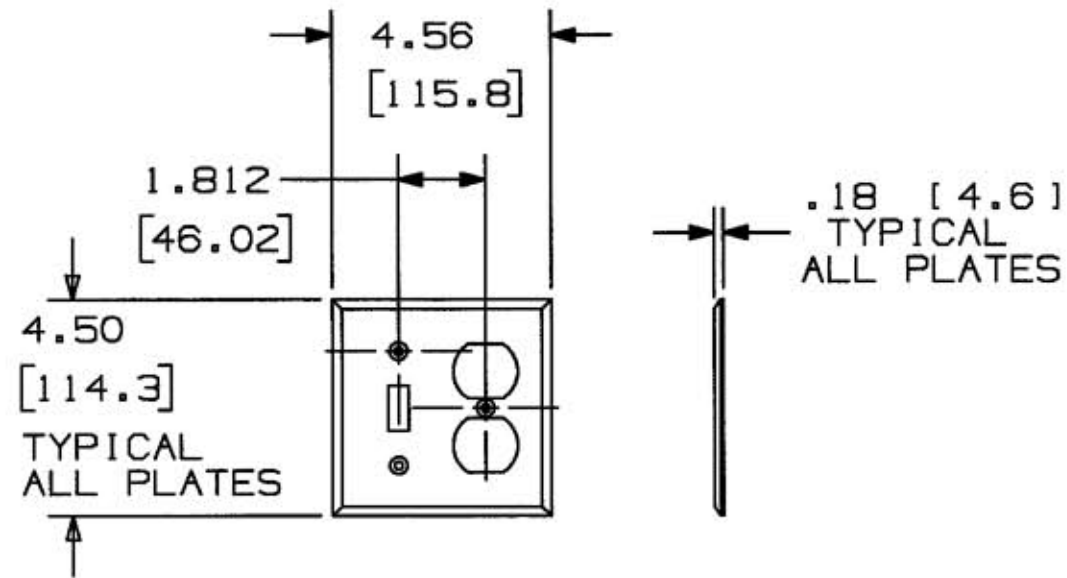
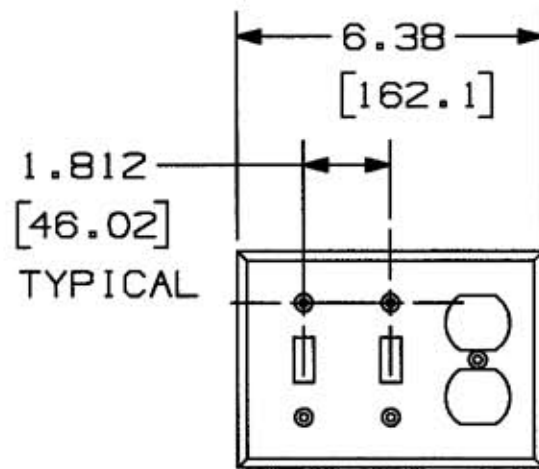


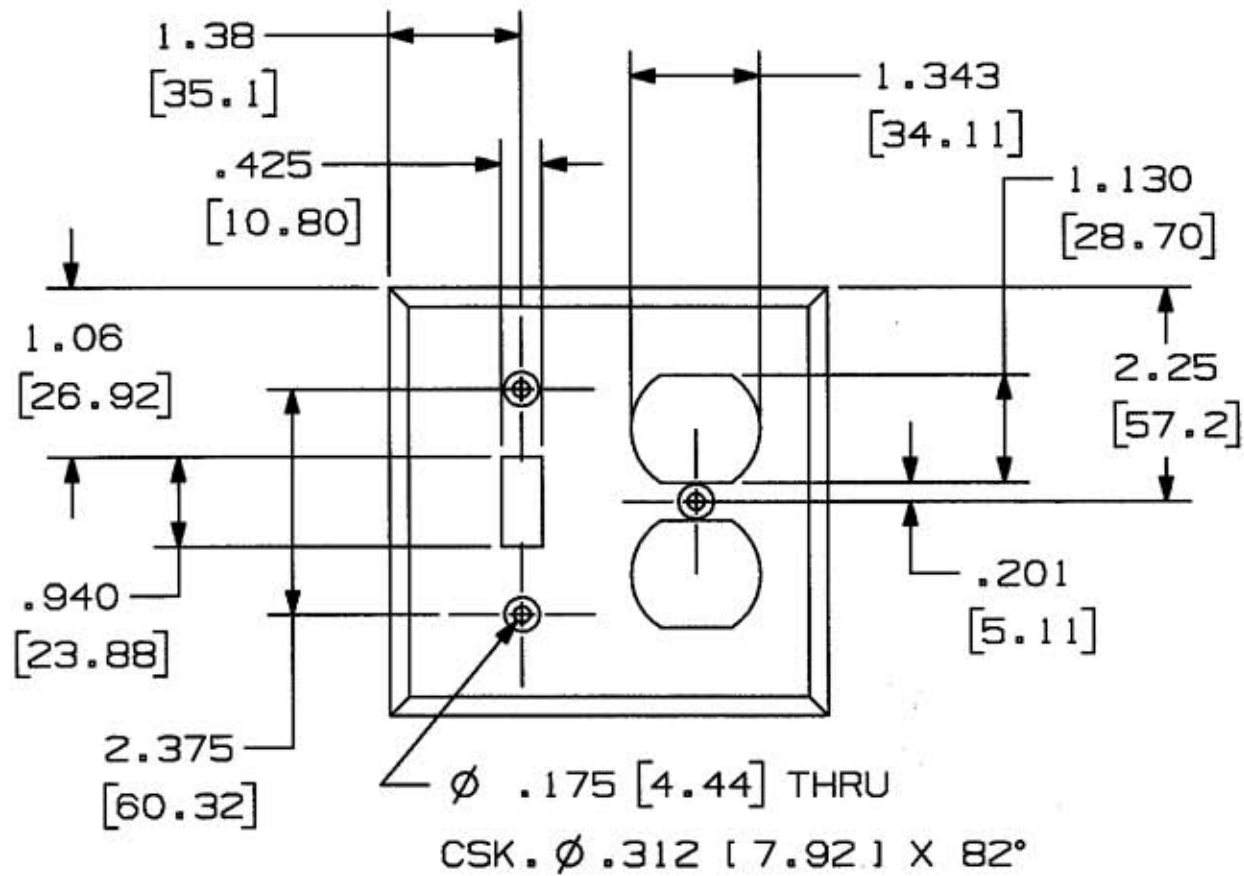
M-10213 1



2 GANG  
1 DUPLEX, 1 SWITCH



3 GANG  
1 DUPLEX, 2 SWITCH



TYPICAL DIMENSIONS

CAT. NO.	SP18AL	SP28AL	SP18G	SP28G
NO. GANG	2	3	2	3
COLOR	ALMOND	ALMOND	GRAY	GRAY

NOTE: ALL DIMENSIONS IN INCHES AND (MM)

LIST OF PARTS

DESCRIPTION	MATERIAL	FINISH
WALLPLATE	STEEL	PAINTED
#8-32 SCREWS	STEEL	(NOT SHOWN)

DIMENSION SHEET FOR CAT. NO. M-10213  
 SEE TABLE  
 REPAIRABLE  NON-REPAIRABLE   
 B  
 1

1	RELEASED PER DCN 13209	APP	DATE
SYM	REVISIONS	APP	DATE

THE DESIGN AND DIMENSIONS OF THE PRODUCT SHOWN ON THIS DRAWING ARE SUBJECT TO CHANGE WITHOUT NOTICE

TITLE  
WALL PLATE, PAINTED STEEL SWITCH AND DUPLEX RECEPTACLE COMBINATIONS

TOLERANCES UNLESS OTHERWISE SPECIFIED	WIRING DEVICE-KELLEMS HUBBELL INCORPORATED BRIDGEPORT, CT	
FRACTIONS ±1/64	DR. BY AMM	APP. BY <i>AMM</i>
DECIMALS ±.005	TR. BY	SCALE 1:1
ANGLES ±2°	CHK'D BY <i>AMM</i>	DATE 6-14-06