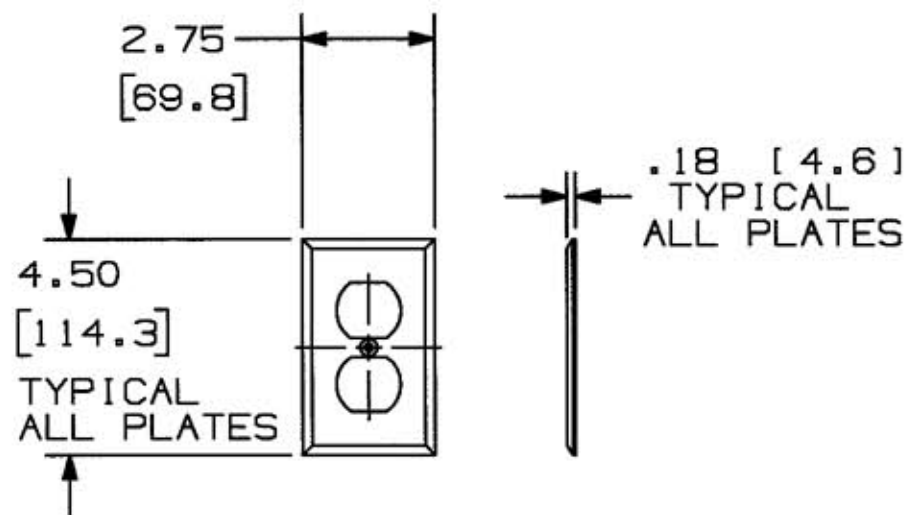
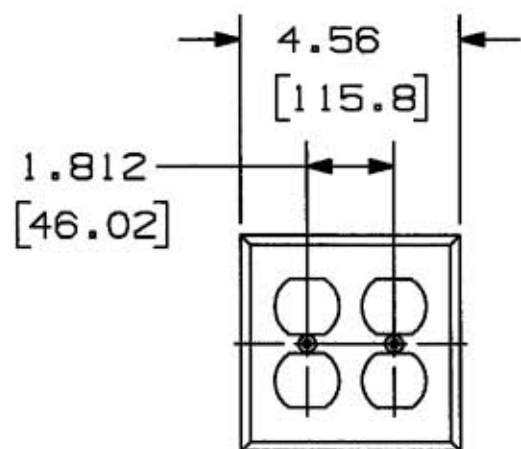


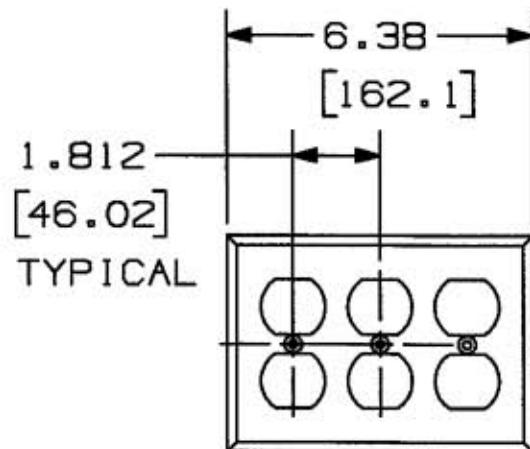
M-10210 1



1 GANG



2 GANG



3 GANG

LIST OF PARTS

DESCRIPTION	MATERIAL	FINISH
WALLPLATE	STEEL	PAINTED
#8-32 SCREWS	STEEL	(NOT SHOWN)

DIMENSION SHEET FOR CAT. NO.

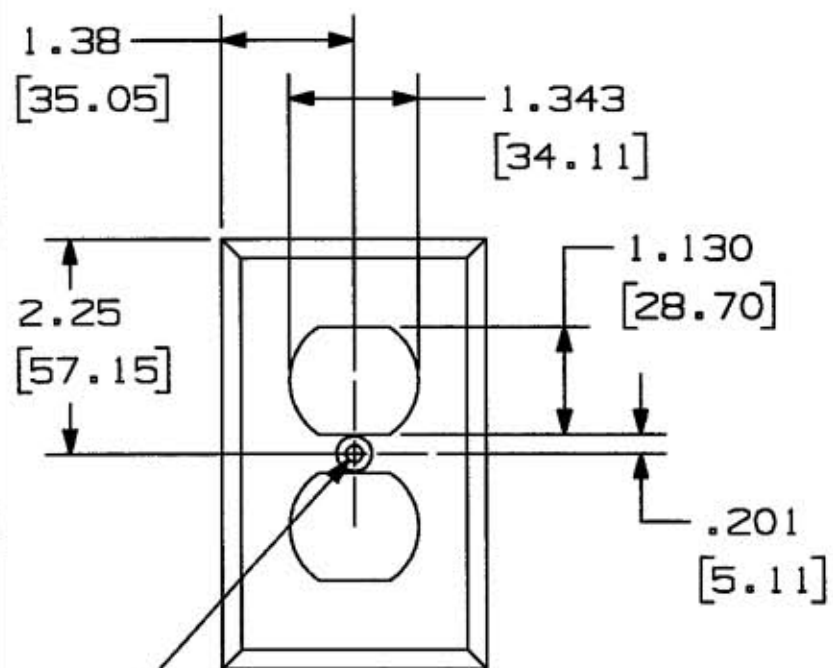
SEE TABLE

REPAIRABLE NON-REPAIRABLE

B

M-10210

1



Ø .175 [4.44] THRU
CSK. Ø .312 [7.92] X 82°

TYPICAL DIMENSIONS

CAT. NO.	SP8AL	SP82AL	SP83AL	SP8G	SP82G
NO. GANG	1	2	3	1	2
COLOR	ALMOND	ALMOND	ALMOND	GRAY	GRAY

NOTE: ALL DIMENSIONS IN INCHES AND (MM)

1	RELEASED PER DCN 13209	FD	6-14-06
SYM	REVISIONS	APP	DATE

THE DESIGN AND DIMENSIONS OF THE PRODUCT SHOWN ON THIS DRAWING ARE SUBJECT TO CHANGE WITHOUT NOTICE

TITLE

WALL PLATE, PAINTED STEEL DUPLEX RECEPTACLES

TOLERANCES UNLESS OTHERWISE SPECIFIED
FRACTIONS ± 1/64
DECIMALS ± .005
ANGLES ± 2°

WIRING DEVICE-KELLEMS HUBBELL INCORPORATED BRIDGEPORT, CT

DR. BY AMM APP. BY *[Signature]*
TR. BY *[Signature]* SCALE 1:1
CHK'D BY *[Signature]* DATE 6-14-06