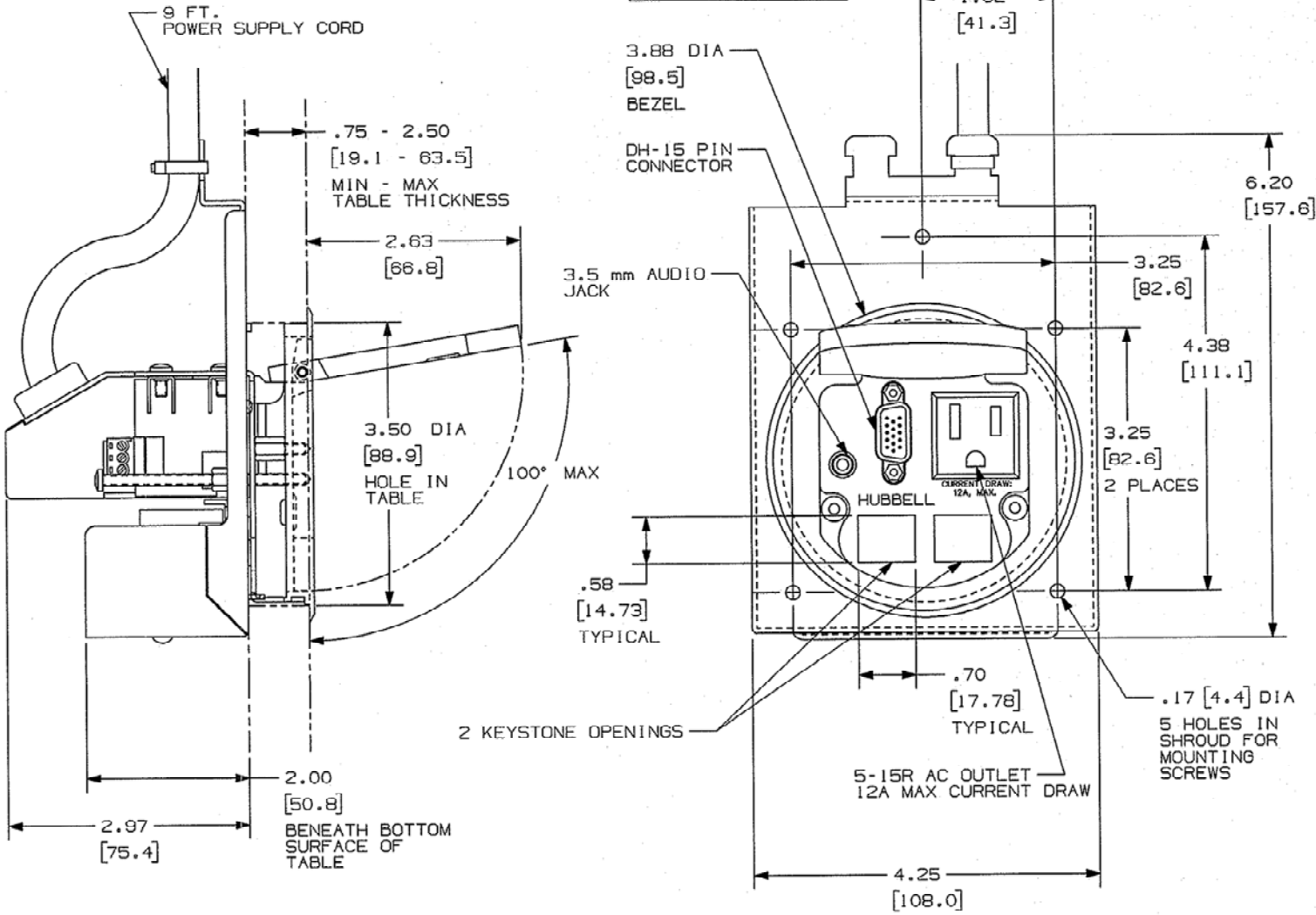


M-11231 2



LIST OF PARTS

DESCRIPTION	MATERIAL	FINISH
BEZEL/COVER	SEE CHART	SEE CHART
SHROUD	STEEL	BLACK
BEZEL MOUNTING SCREWS	STAINLESS STEEL	-----
SHROUD MOUNTING SCREWS	STEEL	ZINC
CLAMP NUTS	BRASS	NICKEL
WIRE TIE	NYLON	NATURAL

2	.70 WAS .760, .58 WAS .580, DCN16255 SRE 1/8/10	SRE	1/8/10
1	RELEASED PER DCN15584	SM	3/3/09
SYM	REVISIONS	APP	DATE

THE DESIGN AND DIMENSIONS OF THE PRODUCT SHOWN ON THIS DRAWING ARE SUBJECT TO CHANGE WITHOUT NOTICE

TITLE TABLE TOP BOX, DUAL SERVICE, 1 - AC OUTLET

CATALOG NUMBER	BEZEL/COVER MATERIAL	BEZEL/COVER FINISH
TTBDS1AL	ALUMINUM	CLEAR
TTBDS1BK	ALUMINUM	BLACK
TTBDS1BR	BRASS	CLEAR

TOLERANCES UNLESS OTHERWISE SPECIFIED	WIRING DEVICE-KELLEMS HUBBELL INCORPORATED BRIDGEPORT, CT	
FRACTIONS ± 1/64	DR. BY SRE	APP. BY SM
DECIMALS ± .005	TR. BY	SCALE NONE
ANGLES ± 2'	CHK'D BY SM	DATE 2/23/09

ALL DIMENSIONS ARE IN INCHES AND [MILLIMETERS]