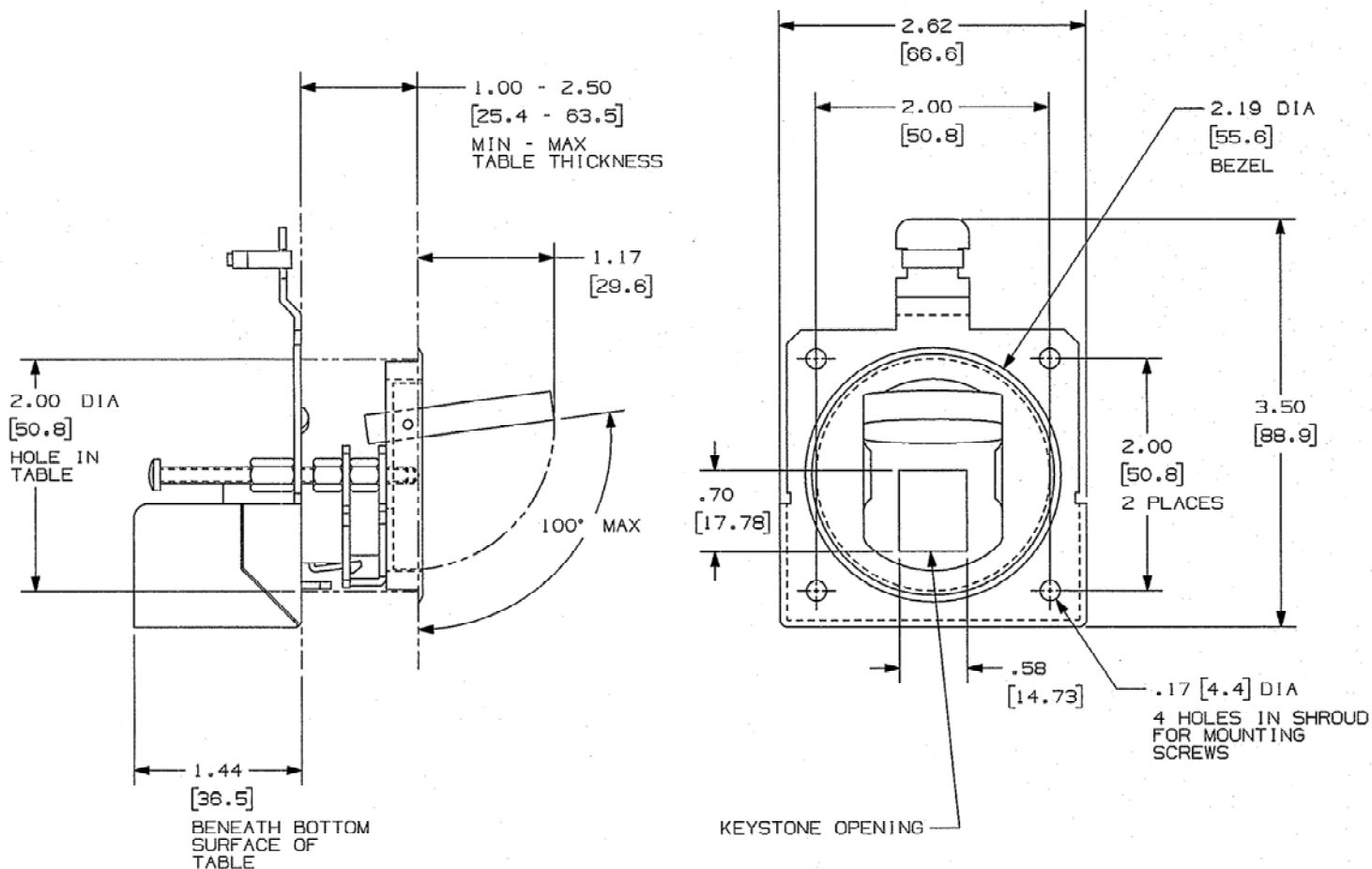


M-11233 2



CATALOG NUMBER	BEZEL/COVER MATERIAL	BEZEL/COVER FINISH
TTBKSAL	ALUMINUM	CLEAR
TTBKSBK	ALUMINUM	BLACK
TTBKSBR	BRASS	CLEAR

ALL DIMENSIONS ARE IN INCHES AND (MILLIMETERS)

LIST OF PARTS

DESCRIPTION	MATERIAL	FINISH
BEZEL/COVER	SEE CHART	SEE CHART
SHROUD	STEEL	BLACK
BEZEL MOUNTING SCREWS	STAINLESS STEEL	-----
SHROUD MOUNTING SCREWS	STEEL	ZINC
CLAMP NUTS	BRASS	NICKEL
WIRE TIE	NYLON	NATURAL

2	.70 WAS .760, .50 WAS .500. DCN16255 SRE 1/8/10	SRE	1/8/10
1	RELEASED PER DCN15584	SM	3/3/09
SYM	REVISIONS	APP	DATE

THE DESIGN AND DIMENSIONS OF THE PRODUCT SHOWN ON THIS DRAWING ARE SUBJECT TO CHANGE WITHOUT NOTICE

TITLE
TABLE TOP BOX,
KEYSTONE

TOLERANCES UNLESS OTHERWISE SPECIFIED	WIRING DEVICE-KELLEMS HUBBELL INCORPORATED BRIDGEPORT, CT	
FRACTIONS ± 1/64	DR. BY SRE	APP. BY SM
DECIMALS ± .005	TR. BY	SCALE 1:1
ANGLES ± 2°	CHK'D BY SM	DATE 2/23/09

DIMENSION SHEET FOR CAT. NO.

REPAIRABLE NON-REPAIRABLE

B

M-11233

2