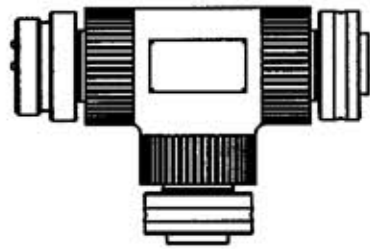


MALE



FEMALE



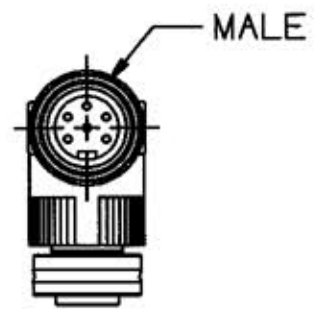
M-9261 2



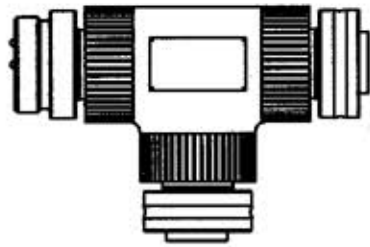
FEMALE  
DROP DOWN

FIGURE 3

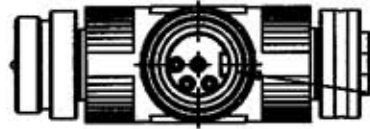
CATALOG NUMBER	FIGURE NUMBER	MALE # OF POLES	FEMALE # OF POLES	FEMALE DROP DOWN # OF POLES	PHASE
TX2306002306T00	1	6	6	6	A, B, C
TX2306002304A00	2	6	6	4	A
TX2306002304B00	2	6	6	4	B
TX2306002304C00	2	6	6	4	C
TX2304002304T00	3	4	4	4	SINGLE



MALE



FEMALE



FEMALE  
DROP DOWN

FIGURE 2

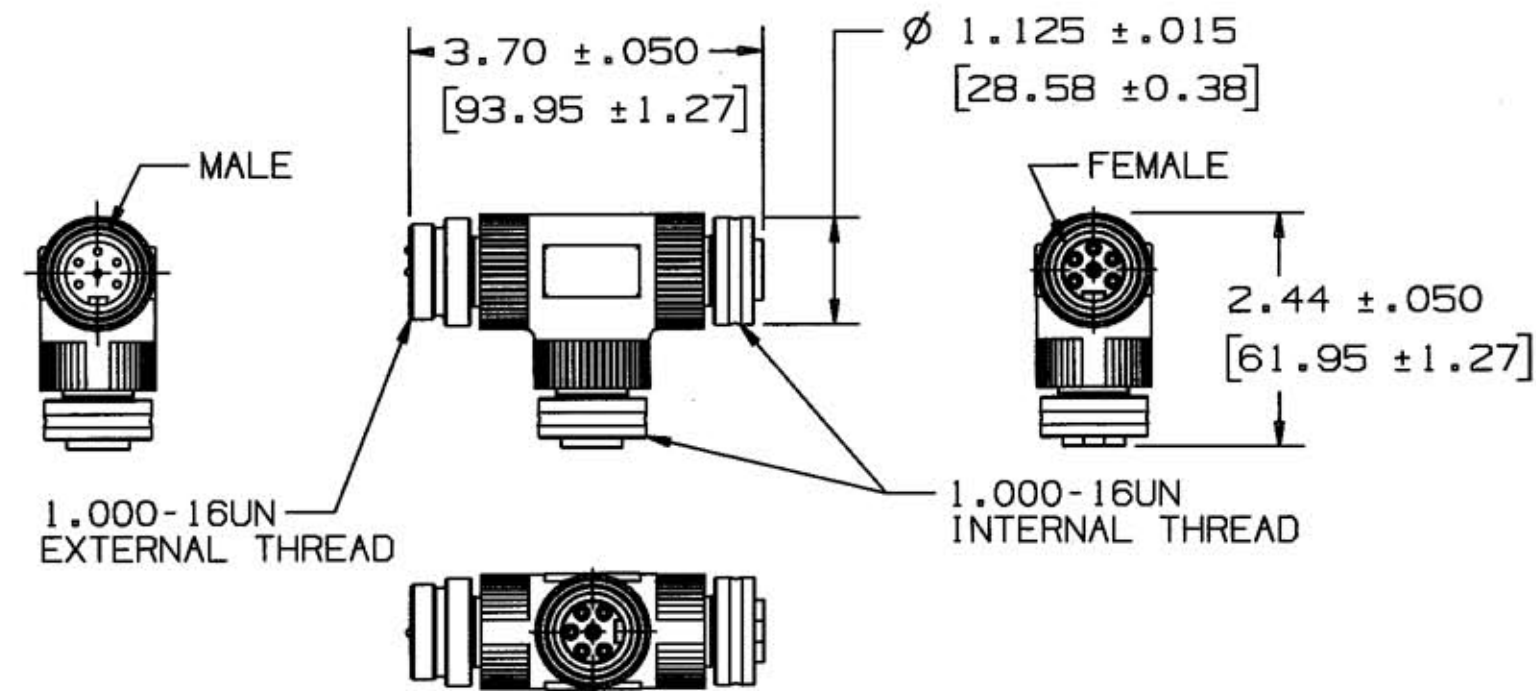


FIGURE 1

LIST OF PARTS

DESCRIPTION	MATERIAL	FINISH
COUPLING NUT	BRASS	NICKEL
INSULATOR, SOCKET	NYLON	WHITE
O RING	RUBBER	BLACK
O RING	SILICONE	GREEN
SOCKET CONTACT	COPPER ALLOY	GOLD OVER Pd/Ni
OVERMOLD	POLYURETHANE	BLACK
PIN CONTACT	BRASS	GOLD OVER Pd/Ni
INSULATOR, PIN	NYLON	WHITE

SYM	REVISIONS	APP	DATE
2	3/11/04 IN CAT.# 00 WAS PB IN 5 PLACES PER DCN 11582 MJM RDK	RDK	3/12/04
1	1/27/04 RELEASED PER DCN 11435 MJM RDK	RDK	1/27/04

THE DESIGN AND DIMENSIONS OF THE PRODUCT SHOWN ON THIS DRAWING ARE SUBJECT TO CHANGE WITHOUT NOTICE

TITLE  
20A SNIG TEE

TOLERANCES UNLESS OTHERWISE SPECIFIED

FRACTIONS ± 1/64  
DECIMALS ± .005  
ANGLES ± 2°

WIRING DEVICE-KELLEMS  
HUBBELL INCORPORATED  
BRIDGEPORT, CT

DR. BY MJM APP. BY RDK  
TR. BY SCALE NONE  
CHK'D BY RDK DATE 1/26/04

DIMENSION SHEET FOR CAT. NO. M-9261  
 REPAIRABLE  NON-REPAIRABLE