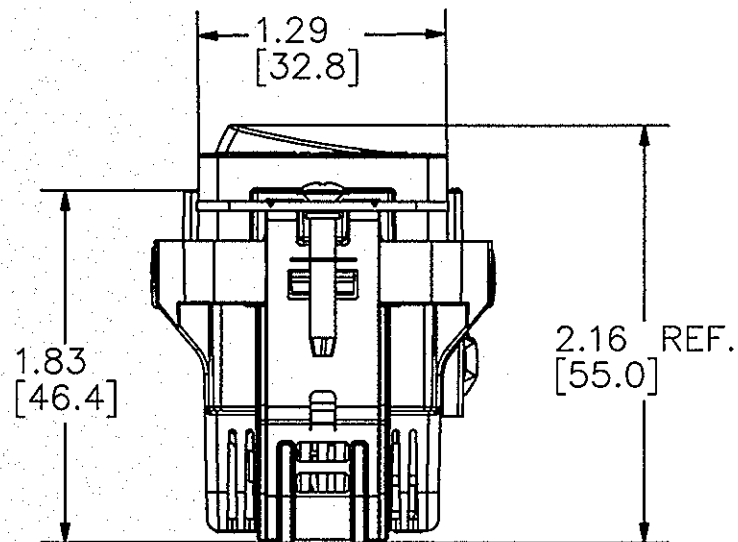
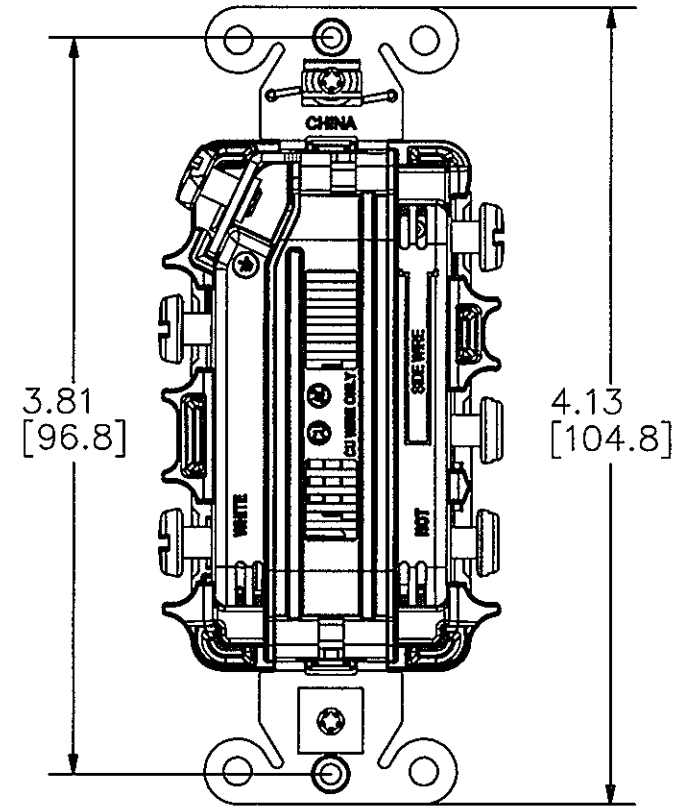
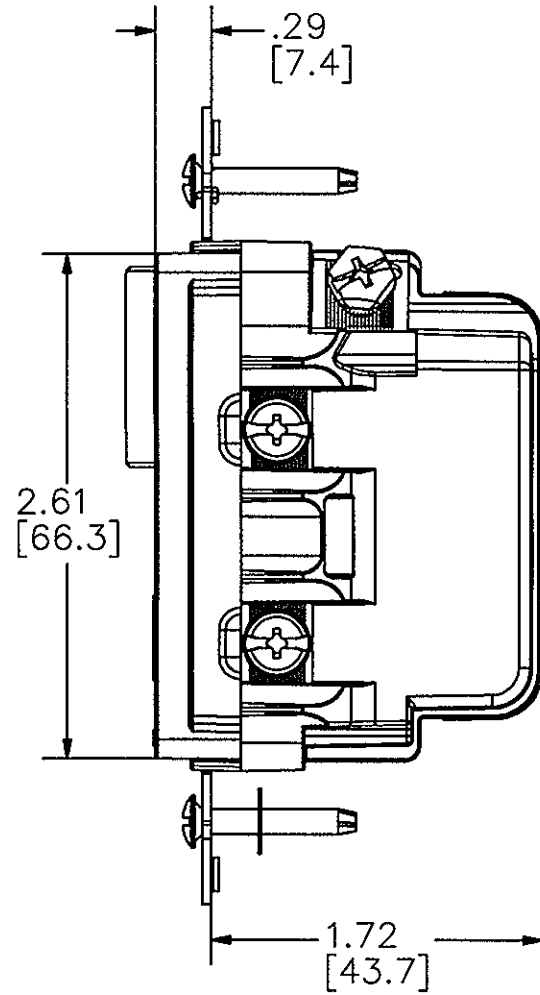
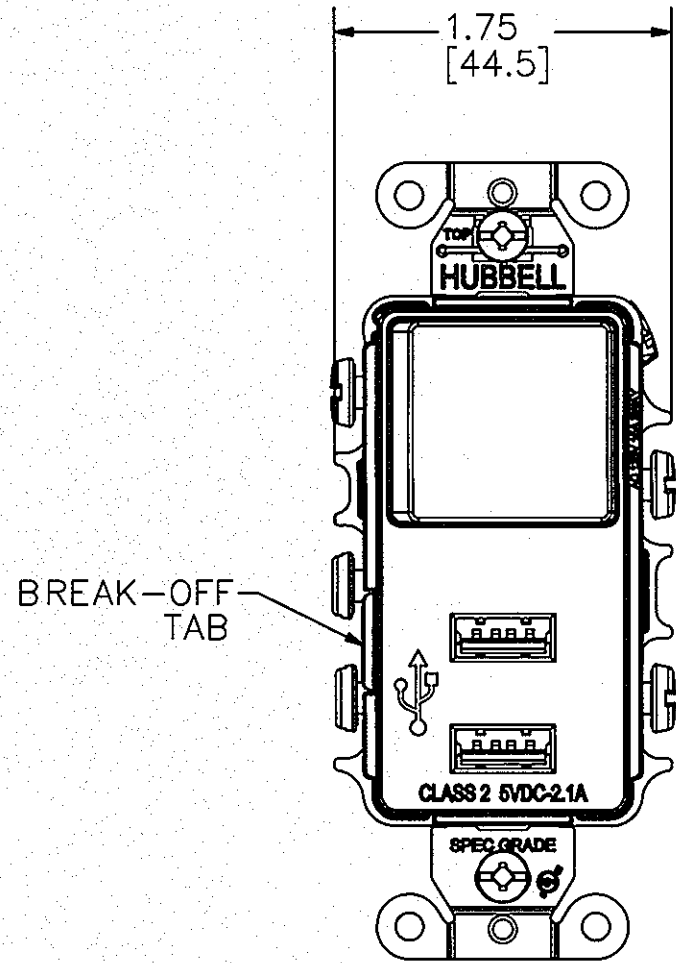


M12466

4



NOTE:
 1. ALL DIMENSIONS ARE IN INCHES [MILLIMETERS].
 2. INPUT: 125V AC 15A.
 USB CHARGER OUTPUT: 5V DC 2.1A.
 3. SEPARATE CIRCUIT FOR THE 3 WAY SWITCH AND THE USB PORTS WHEN REMOVE THE BREAK-OFF TAB.

CATALOG	DESCRIPTION:	COLOR:
USB102	USB CHRGR SP3W, 2.1A 5V TWO PORT	BROWN
USB102I	USB CHRGR SP3W, 2.1A 5V TWO PORT	IVORY
USB102W	USB CHRGR SP3W, 2.1A 5V TWO PORT	WHITE
USB102GY	USB CHRGR SP3W, 2.1A 5V TWO PORT	GRAY
USB102BK	USB CHRGR SP3W, 2.1A 5V TWO PORT	BLACK
USB102LA	USB CHRGR SP3W, 2.1A 5V TWO PORT	LG ALMOND

LIST OF PARTS		
DESCRIPTION	MATERIAL	FINISH
COVER	THERMOPLASTIC	COLOR PER CATALOG
ROCKER	THERMOPLASTIC	COLOR PER CATALOG
BASE	THERMOPLASTIC	BLACK
STRAP	GALVANIZED STEEL	
MOUNTING SCREW	STEEL	ZINC PLATED
WASHER	THERMOPLASTIC	
GR SPRING WIRE	STAINLESS STEEL	
GROUND SCREW	STEEL	ZN PLATE + DYING GREEN
TERMINALS	BRASS	
LINE SCREW	STEEL	BLACK OXIDE
NEUTRAL SCREW	STEEL	ZINC PLATED
STATIONARY SCREW	STEEL	BRASS PLATED

REV	DESCRIPTION	APP	DATE
4	DIM .29 WAS .28 AND UPDATE THE PRINT PER DCN#20920		12/17/14
3	NO CHANGE, UPDATE THE PRINT PER DCN #20441	DL	4/8/14
2	CORRECT THE CAT# PER DCN #20427.	DL	3/28/14
1	NEW RELEASE PER DCN #20326	C.Z	2/26/14

THE DESIGN AND DIMENSIONS OF THE PRODUCT SHOWN ON THIS DRAWING ARE SUBJECT TO CHANGE WITHOUT NOTICE

TITLE
 HUBBELL COMBO USB 15A SWITCH

TOLERANCES UNLESS OTHERWISE SPECIFIED		WIRING DEVICE-KELLEMS HUBBELL INCORPORATED SHELTON, CT	
.XX = ± .01	.XXX = ± .005	DR. BY	V.C
ANGLES = ± 2°		APP. BY	
		TR. BY	V.C
		SCALE	1:1
		CHK. BY	C.Z
		DATE	2013.11.18

CODE 74545

DIMENSION SHEET FOR CAT. NO.

SEE TABLE

REPAIRABLE

NON-REPAIRABLE

B

M12466

4