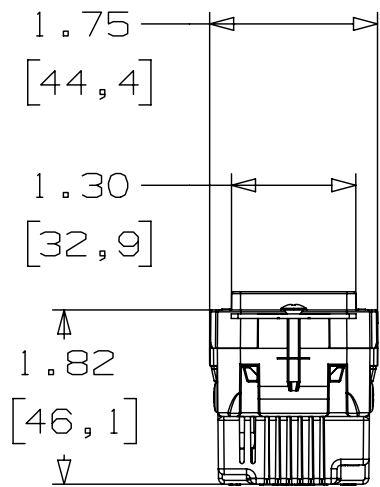
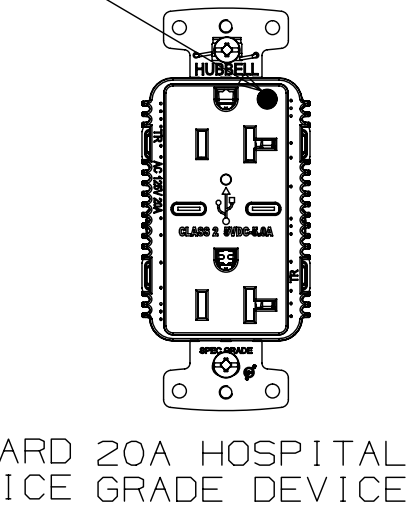
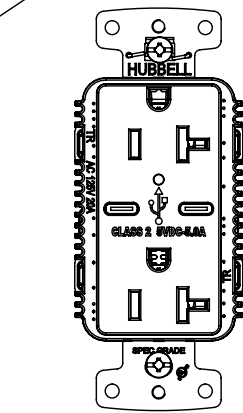
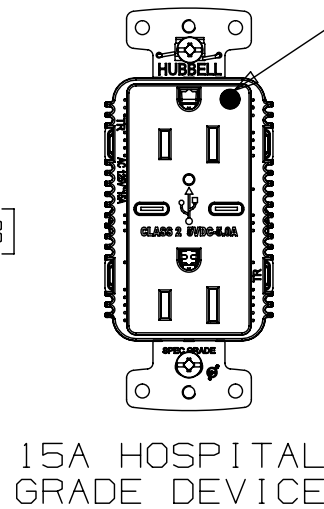
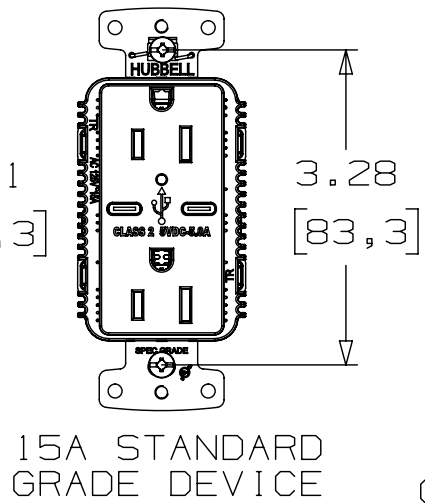
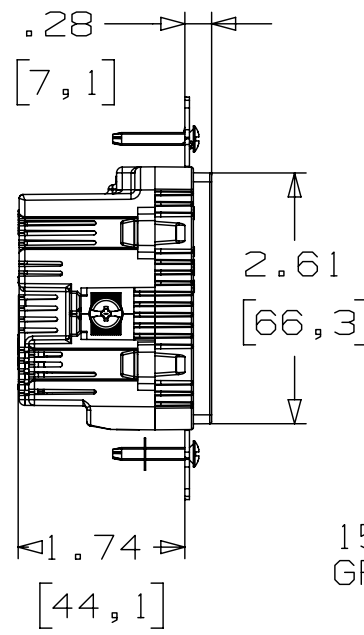
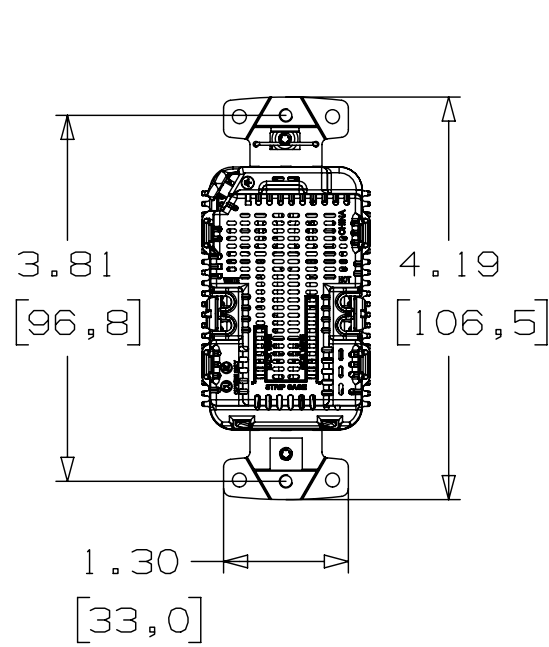


M13050 3



CATALOG	COLOR	DESCRIPTION	RATING
USB15C5	BROWN	15Amp 125VAC DUPLEX TR RECEPTACLE W/ 2 USB 5A 5VDC TYPE C CHARGING PORTS	15A 125VAC
USB15C5I	IVORY		
USB15C5W	WHITE		
USB15C5LA	LIGHT ALMOND		
USB15C5GY	GRAY		
USB15C5BK	BLACK		
USB15C5R	RED		
USB8200C5	BROWN	15Amp 125VAC HOSPITAL GRADE DUPLEX TR RECEPTACLE W/ 2 USB 5A 5VDC TYPE C CHARGING PORTS	15A 125VAC
USB8200C5I	IVORY		
USB8200C5W	WHITE		
USB8200C5LA	LIGHT ALMOND		
USB8200C5GY	GRAY		
USB8200C5BK	BLACK		
USB8200C5R	RED		
USB20C5	BROWN	20Amp 125VAC DUPLEX TR RECEPTACLE W/ 2 USB 5A 5VDC TYPE C CHARGING PORTS	20A 125VAC
USB20C5I	IVORY		
USB20C5W	WHITE		
USB20C5LA	LIGHT ALMOND		
USB20C5GY	GRAY		
USB20C5BK	BLACK		
USB20C5R	RED		
USB8300C5	BROWN	20Amp 125VAC HOSPITAL GRADE DUPLEX TR RECEPTACLE W/ 2 USB 5A 5VDC TYPE C CHARGING PORTS	20A 125VAC
USB8300C5I	IVORY		
USB8300C5W	WHITE		
USB8300C5LA	LIGHT ALMOND		
USB8300C5GY	GRAY		
USB8300C5BK	BLACK		
USB8300C5R	RED		

NOTES:
 1. ALL DIMENSIONS ARE IN INCHES [mm].
 2. RATING/TYPE:
 RECEPTACLE: SEE TABLE.
 USB PORT: (2) TYPE C
 USB PORT CHARGER OUTPUT: 5VDC 5.0A MAX.

LIST OF PARTS

DESCRIPTION	MATERIAL	FINISH
COVER	THERMOPLASTIC	COLOR PER CAT.#
BASE	THERMOPLASTIC	BLACK
TR SHUTTER	THERMOPLASTIC	
STRAP	GALV. STEEL	
MOUNTING SCREW	STEEL	ZN PLATE
TERMINALS	COPPER ALLOY	
GROUND SCREW	STEEL	ZN PLATE + GREEN DYE
TERMINAL SCREW (HOT)	STEEL	BRASS PLATE
TERMINAL SCREW (NEUTRAL)	STEEL	NICKEL PLATE

REV	DESCRIPTION	APP	DATE
3	IN SHEET 2 UPDATED STRAP MATERIAL. PER DCN #23481	EMD	12/7/17
2	ADDED SHEET 2.WR RECEPTACLES. PER DCN #23398	EMD	11/7/17
1	NEW RELEASE PER DCN #21591.	D.LI	5/13/16

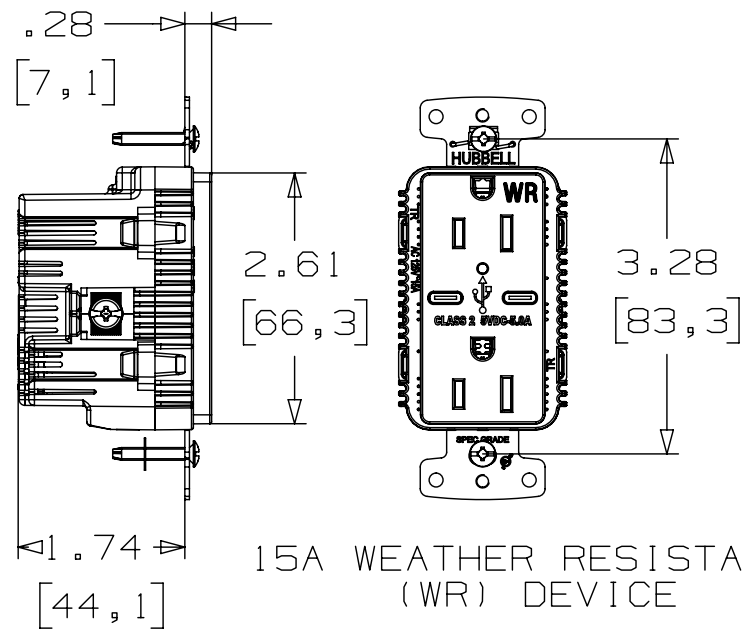
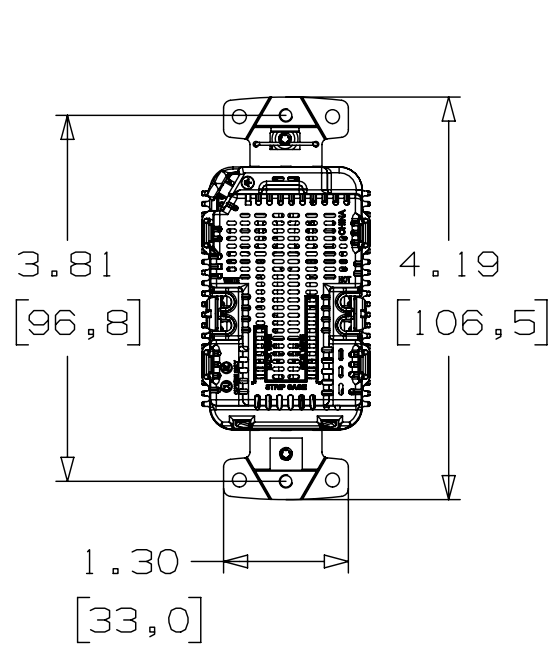
THE DESIGN AND DIMENSIONS OF THE PRODUCT SHOWN ON THIS DRAWING ARE SUBJECT TO CHANGE WITHOUT NOTICE

TITLE HUBBELL TR DUPLEX RECEPTACLE W/ 5AMP TYPE C USB CHARGER

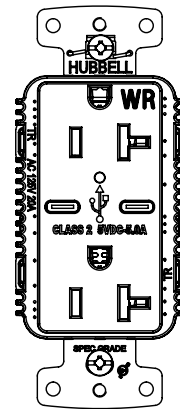
TOLERANCES UNLESS OTHERWISE SPECIFIED	WIRING DEVICE-KELLEMS HUBBELL INCORPORATED SHELTON, CT	
.XX = ±.01	DR. BY NH	APP. BY SM
.XXX = ±.005	TR. BY DL	SCALE 1:2
ANGLES = ±2°	CHK. BY	DATE 6/30/15

DIMENSION SHEET FOR CAT. NO. SEE TABLE REPAIRABLE NON-REPAIRABLE B M-13050 3

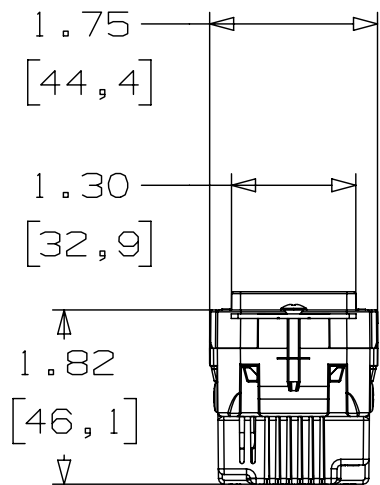
M13050 3



15A WEATHER RESISTANT (WR) DEVICE



20A WEATHER RESISTANT (WR) DEVICE



NOTES:
 1. ALL DIMENSIONS ARE IN INCHES [mm].
 2. RATING/TYPE:
 RECEPTACLE: SEE TABLE.
 USB PORT: (2) TYPE C
 USB PORT CHARGER OUTPUT: 5VDC 5.0A MAX.

		DESCRIPTION	RATING
USB15C5WR	BROWN	15Amp 125VAC DUPLEX WRTR RECEPTACLE W/ 2 USB 5A 5VDC TYPE C CHARGING PORTS	15A 125VAC
USB15C5IWR	IVORY		
USB15C5WWR	WHITE		
USB15C5LAWR	LIGHT ALMOND		
USB15C5GYWR	GRAY		
USB15C5BKWR	BLACK		
USB15C5RWR	RED		
USB20C5WR	BROWN	20Amp 125VAC DUPLEX WRTR RECEPTACLE W/ 2 USB 5A 5VDC TYPE C CHARGING PORTS	20A 125VAC
USB20C5IWR	IVORY		
USB20C5WWR	WHITE		
USB20C5LAWR	LIGHT ALMOND		
USB20C5GYWR	GRAY		
USB20C5BKWR	BLACK		
USB20C5RWR	RED		

LIST OF PARTS

DESCRIPTION	MATERIAL	FINISH
COVER	THERMOPLASTIC	COLOR PER CAT.#
BASE	THERMOPLASTIC	BLACK
TR SHUTTER	THERMOPLASTIC	
STRAP	COPPER ALLOY	
MOUNTING SCREW	ST. STEEL	
TERMINALS	COPPER ALLOY	
GROUND SCREW	ST. STEEL	GREEN DYE
TERMINAL SCREW (HOT)	ST. STEEL	
TERMINAL SCREW (NEUTRAL)	ST. STEEL	

SYM	REVISIONS	APP	DATE
3	IN SHEET 2 UPDATED STRAP MATERIAL. PER DCN #23481	EMD	12/7/17
2	ADDED SHEET 2.WR RECEPTACLES. PER DCN #23398	EMD	11/7/17
1	NEW RELEASE PER DCN #21591.	D.LI	5/13/16

THE DESIGN AND DIMENSIONS OF THE PRODUCT SHOWN ON THIS DRAWING ARE SUBJECT TO CHANGE WITHOUT NOTICE

TITLE HUBBELL TR DUPLEX RECEPTACLE W/ 5AMP TYPE C USB CHARGER

TOLERANCES UNLESS OTHERWISE SPECIFIED	WIRING DEVICE-KELLEMS HUBBELL INCORPORATED SHELTON, CT	
.XX = ± .01	DR. BY NH	APP. BY SM
.XXX = ± .005	TR. BY DL	SCALE 1:2
ANGLES = ± 2°	CHK. BY	DATE 6/30/15

DIMENSION SHEET FOR CAT. NO. SEE TABLE REPAIRABLE NON-REPAIRABLE B M-13050 3