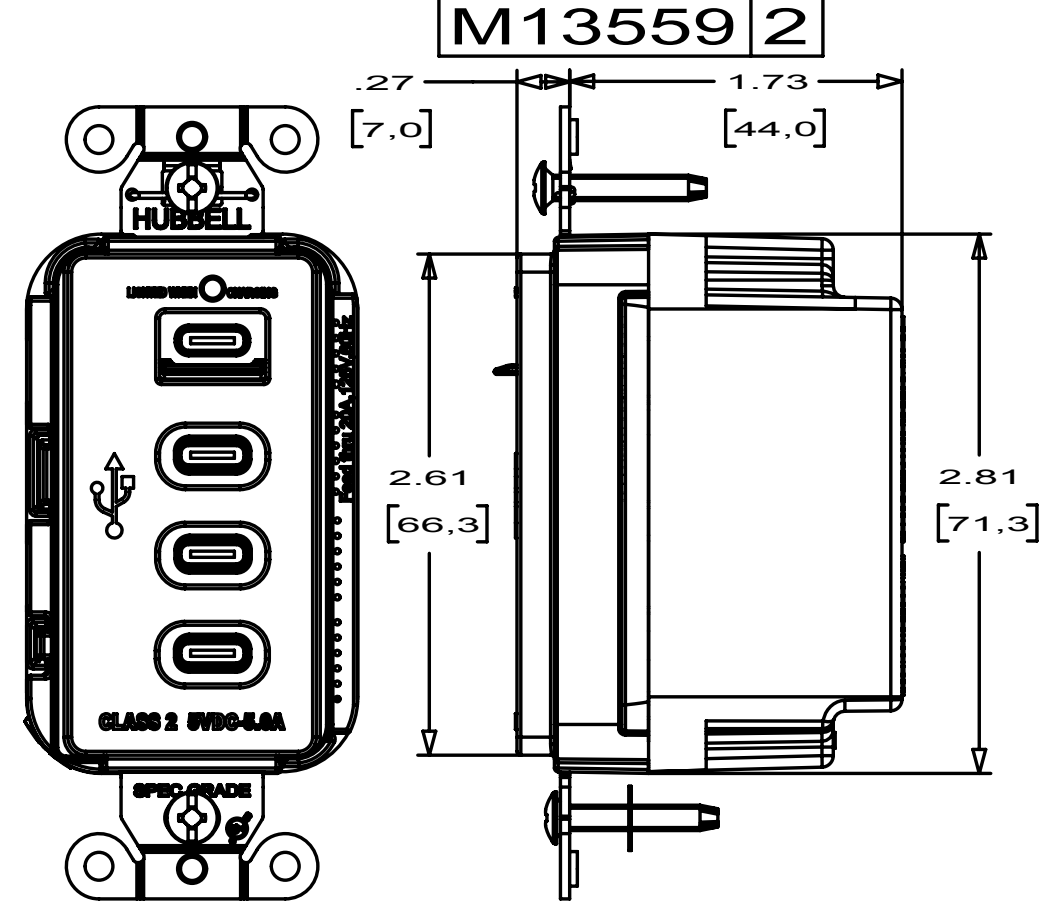
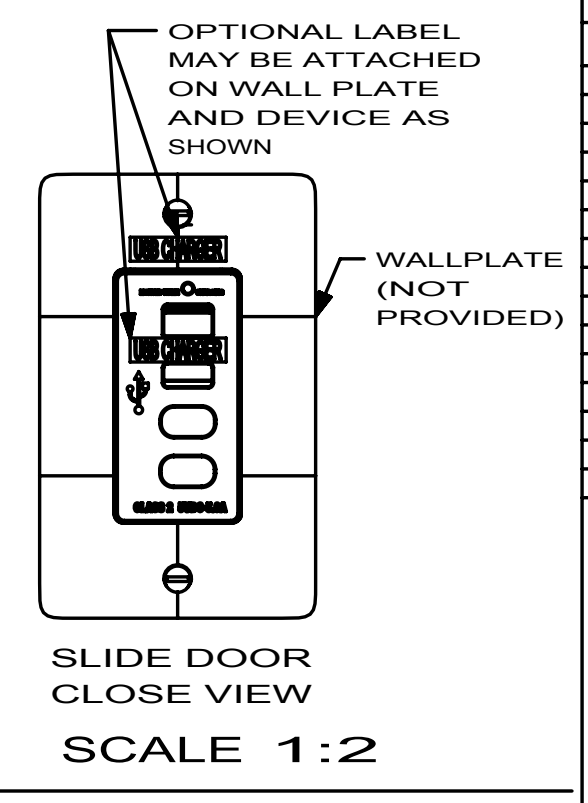


2A+2C USB DEVICE SERIES
SLIDE DOOR OPEN VIEW

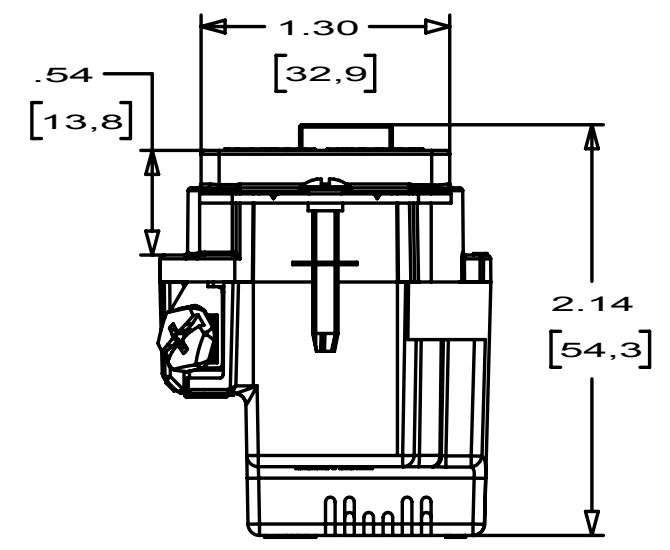


4C USB DEVICE SERIES
SLIDE DOOR OPEN VIEW

M13559 2



SLIDE DOOR
CLOSE VIEW
SCALE 1:2



NOTES:
1. INPUT: 125VAC, 20A FEED THRU CAPABLE.
OUTPUT: 5VDC, 5A.
2. ALL DIMENSIONS ARE IN INCHES [mm].

CODE 74545

TYPE	CATALOG NO.	DESCRIPTION	COLOR
2A+2C USB DEVICE SERIES	USB4AC	USB CHARGER 2A+2C PORT,5A 5VDC, BROWN	BROWN
	USB4ACBK	USB CHARGER 2A+2C PORT,5A 5VDC, BLACK	BLACK
	USB4ACGY	USB CHARGER 2A+2C PORT,5A 5VDC, GRAY	GRAY
	USB4ACI	USB CHARGER 2A+2C PORT,5A 5VDC, IVORY	IVORY
	USB4ACLA	USB CHARGER 2A+2C PORT,5A 5VDC, LIGHT ALMOND	LIGHT ALMOND
	USB4ACW	USB CHARGER 2A+2C PORT,5A 5VDC, WHITE	WHITE
4C USB DEVICE SERIES	USB4C	USB CHARGER 4C PORT, 5A 5VDC, BROWN	BROWN
	USB4CBK	USB CHARGER 4C PORT, 5A 5VDC, BLACK	BLACK
	USB4CGY	USB CHARGER 4C PORT, 5A 5VDC, GRAY	GRAY
	USB4CI	USB CHARGER 4C PORT, 5A 5VDC, IVORY	IVORY
	USB4CLA	USB CHARGER 4C PORT, 5A 5VDC, LIGHT ALMOND	LIGHT ALMOND
	USB4CW	USB CHARGER 4C PORT, 5A 5VDC, WHITE	WHITE

LIST OF PARTS		
DESCRIPTION	MATERIAL	FINISH
COVER	THERMOPLASTIC	COLOR PER CAT.#
BASE	THERMOPLASTIC	BLACK
SLIDE DOOR	THERMOPLASTIC	COLOR PER CAT.#
SLIDE DOOR SUPPORT	THERMOPLASTIC	
BOTTOM BARRIER	THERMOPLASTIC	
SPRING	STEEL	
STRAP	GALV. STEEL	
CLIP	SS. STEEL	
MOUNTING SCREW	STEEL	ZN. PLATE
TERM. SCREW (H)	STEEL	BRASS PLATE
TERM. SCREW (N)	STEEL	NICKEL PLATE
GR. STREW	STEEL	ZN PLATE + GREEN DYE

SYM	REVISIONS	APP	DATE
2	cULus WAS cETLus MARKING PER DCN #24085. D.LI	D.LI	6/20/18
1	NEW RELEASE PER DCN #23403. D.LI		10/26/17

THE DESIGN AND DIMENSIONS OF THE PRODUCT SHOWN ON THIS DRAWING ARE SUBJECT TO CHANGE WITHOUT NOTICE

TITLE **USB CHARGER 4C & 2A+2C PORT 5AMP 5 VDC**

TOLERANCES UNLESS OTHERWISE SPECIFIED	WIRING DEVICE-KELLEMS HUBBELL INCORPORATED SHELTON, CT	
.XX = ± .01	DR. BY N.H	APP. BY
.XXX = ± .005	TR. BY D.LI	SCALE 1:1
ANGLES = ± 2°	CHK. BY MAP	DATE 04/10/2017

DIMENSION SHEET FOR CAT. NO. **M-13559 2**
 REPAIRABLE NON-REPAIRABLE SEE TABLE