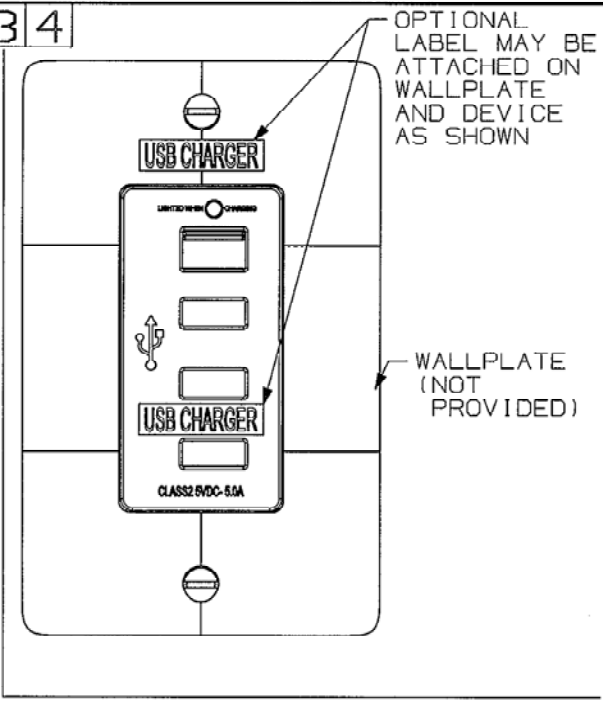
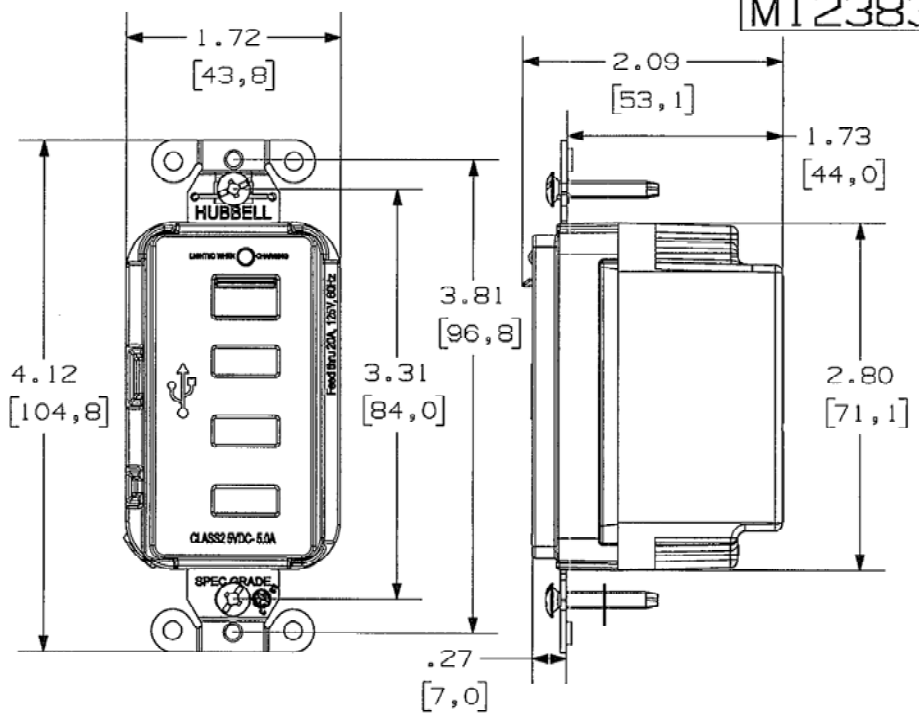


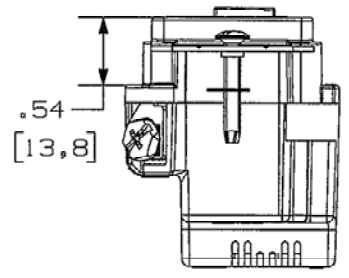
M12383 4



OPTIONAL LABEL MAY BE ATTACHED ON WALLPLATE AND DEVICE AS SHOWN

WALLPLATE (NOT PROVIDED)

LIST OF PARTS		
DESCRIPTION	MATERIAL	FINISH
COVER	THERMOPLASTIC	
BASE	THERMOPLASTIC	
SLIDE	THERMOPLASTIC	
SLIDE HOUSING	THERMOPLASTIC	
SPRING	STEEL	
STRAP	GOLV. STEEL	
GR. SCREW	STEEL	GREEN
TERMINALS	BRASS	
PVC WASHER	THERMOPLASTIC	
CLIP	ST. STEEL	
TERM. SCREW (H)	STEEL	BRASS PLATE
TERM. SCREW (N)	STEEL	NIKEL PLATE
MOUNTING SCREW	STEEL	ZN PLATE



- NOTES:
1. BASE COLOR: BLACK; FRONT COVER COLOR: SEE TABLE PER CAT#.
 2. INPUT: 125VAC, 20A FEED THRU CAPABLE. OUTPUT: 5VDC, 5A.
 3. ALL DIMENSIONS ARE IN INCHES [mm].

CAT #	DESCRIPTION	COLOR
USB4I	USB CHARGER 4 PORT 5A 5VDC, IVORY	IVORY
USB4W	USB CHARGER 4 PORT 5A 5VDC, WHITE	WHITE
USB4LA	USB CHARGER 4 PORT 5A 5VDC, LIGHT ALMOND	LIGHT ALMOND
USB40W	USB CHARGER 4 PORT 5A 5VDC, OFFICE WHITE	OFFICE WHITE
USB4BK	USB CHARGER 4 PORT 5A 5VDC, BLACK	BLACK
USB4R	USB CHARGER 4 PORT 5A 5VDC, RED	RED
USB4GY	USB CHARGER 4 PORT 5A 5VDC, GRAY	GRAY
USB4	USB CHARGER 4 PORT 5A 5VDC, BROWN	BROWN

REV	DESCRIPTION	APP	DATE
4	ADDED OPTIONAL LABEL PER DCN #20221		12/02/13
3	CHANGE TO "ETL" MARKING; NO FINISH WAS ZN PLATE OF SPRING PER DCN #20142		11/13/13
2	REDESIGN AND RELEASE PER DCN #19987		8/29/13
1	NEW RELEASE PER DCN #19936		5/14/13

SYM	REVISIONS	APP	DATE

THE DESIGN AND DIMENSIONS OF THE PRODUCT SHOWN ON THIS DRAWING ARE SUBJECT TO CHANGE WITHOUT NOTICE

TITLE
HUBBELL USB CHARGER 5A 5VDC WITH 4 PORTS

TOLERANCES UNLESS OTHERWISE SPECIFIED		WIRING DEVICE-KELLEMS HUBBELL INCORPORATED SHELTON, CT	
.XX	± .01	DR. BY	APP. BY
.XXX	± .005	TR. BY	SCALE 1:1
ANGLES	± 2°	CHK. BY	DATE 5/14/13