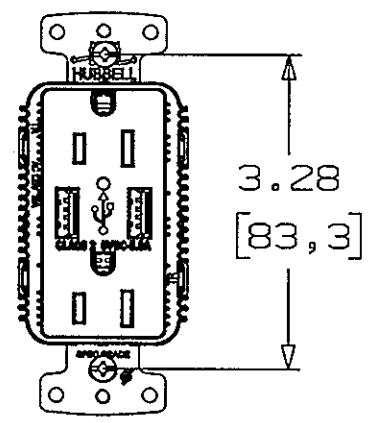
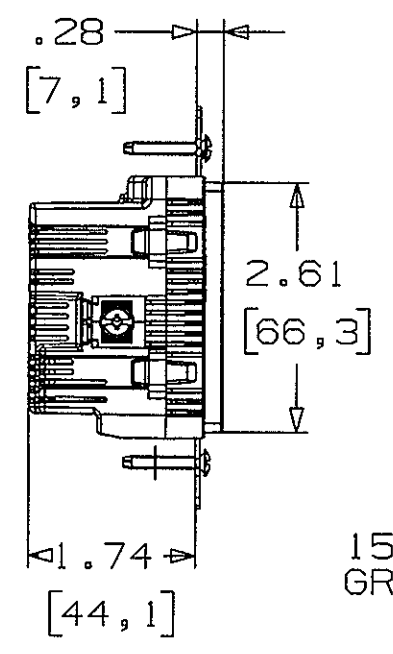
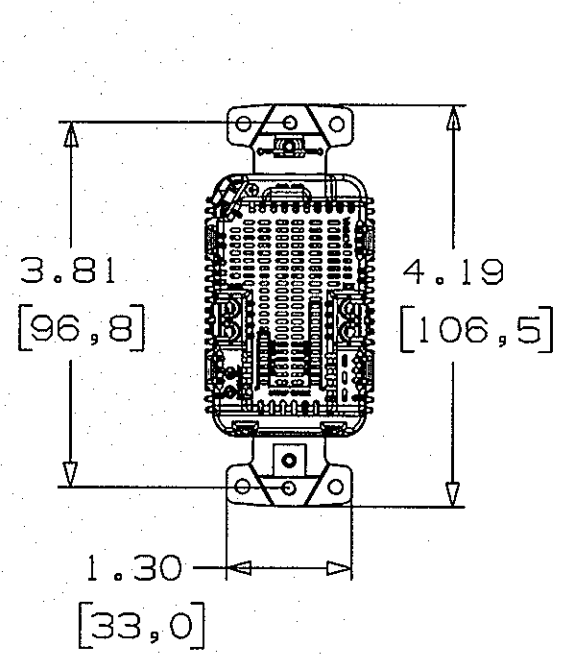
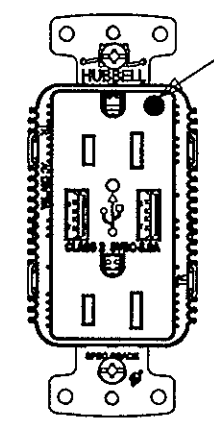


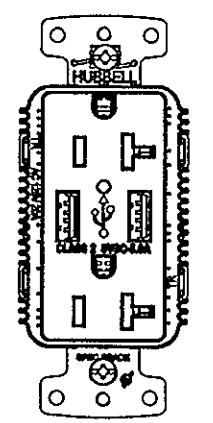
M13049 1



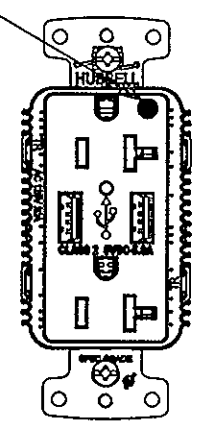
15A STANDARD GRADE DEVICE



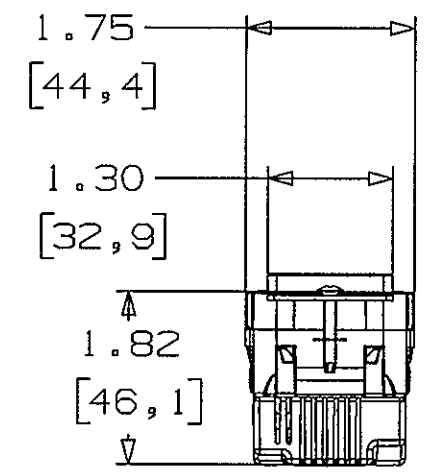
15A HOSPITAL GRADE DEVICE



20A STANDARD GRADE DEVICE



20A HOSPITAL GRADE DEVICE



CATALOG	COLOR	DESCRIPTION	RATING
USB15A5	BROWN	15Amp 125VAC DUPLX TR RECEPTACLE W/ 2 USB 5A 5VDC TYPE A CHARGING PORTS	15A 125VAC
USB15A5I	IVORY		
USB15A5W	WHITE		
USB15A5LA	LIGHT ALMOND		
USB15A5GY	GRAY		
USB15A5BK	BLACK		
USB15A5R	RED		
USB8200A5	BROWN	15Amp 125VAC HOSPITAL GRADE DUPLX TR RECEPTACLE W/ 2 USB 5A 5VDC TYPE A CHARGING PORTS	15A 125VAC
USB8200A5I	IVORY		
USB8200A5W	WHITE		
USB8200A5LA	LIGHT ALMOND		
USB8200A5GY	GRAY		
USB8200A5BK	BLACK		
USB8200A5R	RED		
USB20A5	BROWN	20Amp 125VAC DUPLX TR RECEPTACLE W/ 2 USB 5A 5VDC TYPE A CHARGING PORTS	20A 125VAC
USB20A5I	IVORY		
USB20A5W	WHITE		
USB20A5LA	LIGHT ALMOND		
USB20A5GY	GRAY		
USB20A5BK	BLACK		
USB20A5R	RED		
USB8300A5	BROWN	20Amp 125VAC HOSPITAL GRADE DUPLX TR RECEPTACLE W/ 2 USB 5A 5VDC TYPE A CHARGING PORTS	20A 125VAC
USB8300A5I	IVORY		
USB8300A5W	WHITE		
USB8300A5LA	LIGHT ALMOND		
USB8300A5GY	GRAY		
USB8300A5BK	BLACK		
USB8300A5R	RED		

NOTES:
 1. ALL DIMENSIONS ARE IN INCHES [mm].
 2. RATING/TYPE:
 RECEPTACLE: SEE TABLE.
 USB PORT: (2) TYPE A
 USB PORT CHARGER OUTPUT: 5VDC 5.0A MAX.

LIST OF PARTS

DESCRIPTION	MATERIAL	FINISH
COVER	THERMOPLASTIC	COLOR PER CAT.#
BASE	THERMOPLASTIC	BLACK
TR SHUTTER	THERMOPLASTIC	
STRAP	GALV. STEEL	
MOUNTING SCREW	STEEL	ZN PLATE
TERMINALS	COPPER ALLOY	
GROUND SCREW	STEEL	ZN PLATE + GREEN DYE
TERMINAL SCREW (HOT)	STEEL	BRASS PLATE
TERMINAL SCREW (NEUTRAL)	STEEL	NICKEL PLATE

REPAIRABLE <input type="checkbox"/>	NON-REPAIRABLE <input checked="" type="checkbox"/>
-------------------------------------	--

1	NEW RELEASE PER DCN #21591.	DL	5/13/16
SYM	REVISIONS	APP	DATE

THE DESIGN AND DIMENSIONS OF THE PRODUCT SHOWN ON THIS DRAWING ARE SUBJECT TO CHANGE WITHOUT NOTICE

TITLE HUBBELL TR DUPLX RECEPTACLE W/ 5AMP TYPE A USB CHARGER

TOLERANCES UNLESS OTHERWISE SPECIFIED	WIRING DEVICE-KELLEMS HUBBELL INCORPORATED SHELTON, CT	
.XX = ±.01	DR. BY NH	APP. BY SM
.XXX = ±.005	TR. BY DL	SCALE 1:2
ANGLES = ±2°	CHK. BY	DATE 6/30/15