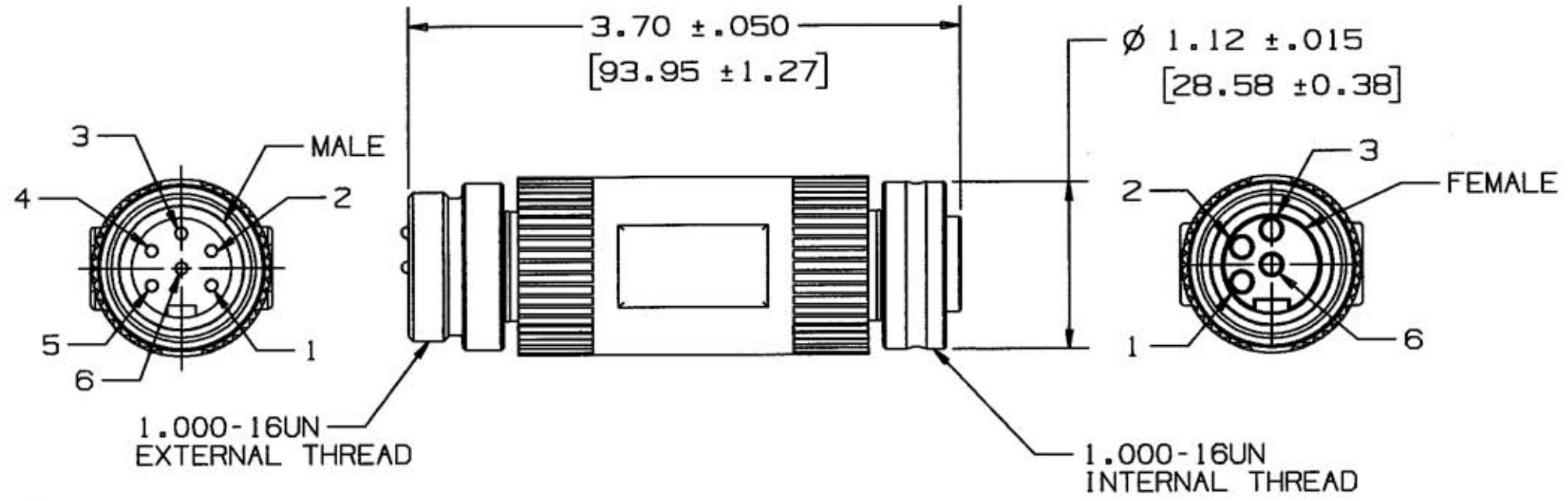
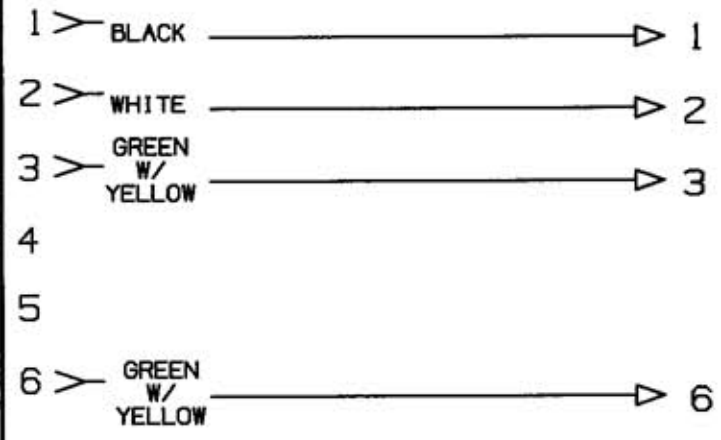


M-9401 1

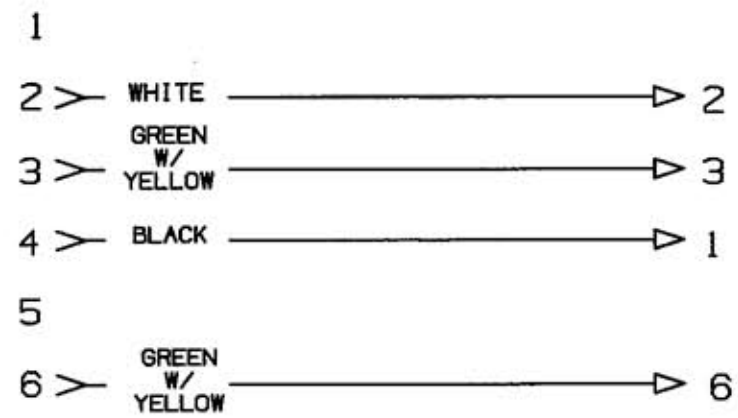
CATALOG NUMBER	SCHEMATIC	MALE # OF POLES	FEMALE # OF POLES	PHASE
UX2306002304A00	1	6	4	A
UX2306002304B00	2	6	4	B
UX2306002304C00	3	6	4	C



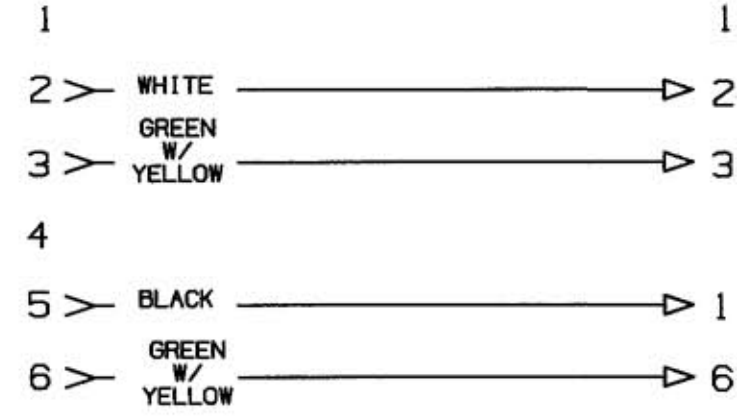
NOTES:
 1. DIMENSIONS IN INCHES [mm].
 2. UL LISTED.



UX2306002304A00
SCHEMATIC 1



UX2306002304B00
SCHEMATIC 2



UX2306002304C00
SCHEMATIC 3

LIST OF PARTS

DESCRIPTION	MATERIAL	FINISH
COUPLING NUT	BRASS	NICKEL
INSULATOR, SOCKET	NYLON	WHITE
O RING	RUBBER	BLACK
O RING	SILICONE	GREEN
SOCKET CONTACT	COPPER ALLOY	GOLD OVER Pd/Ni
OVERMOLD	POLYURETHANE	BLACK
PIN CONTACT	BRASS	GOLD OVER Pd/Ni
INSULATOR, PIN	NYLON	WHITE

DIMENSION SHEET FOR CAT. NO. SEE TABLE

REPAIRABLE NON-REPAIRABLE

1	7/14/04 RELEASED PER DCN 11849 MJM	RDK	RDK	7/14/04
SYM	REVISIONS	APP	DATE	

THE DESIGN AND DIMENSIONS OF THE PRODUCT SHOWN ON THIS DRAWING ARE SUBJECT TO CHANGE WITHOUT NOTICE

TITLE
20A SNIG PASS THRU

TOLERANCES UNLESS OTHERWISE SPECIFIED		WIRING DEVICE-KELLEMS HUBBELL INCORPORATED BRIDGEPORT, CT	
FRACTIONS ± 1/64	DECIMALS ± .005	DR. BY MJM	APP. BY RDK
ANGLES ± 2°		TR. BY	SCALE NONE
		CHK'D BY RDK	DATE 7/14/04

M-9409

1