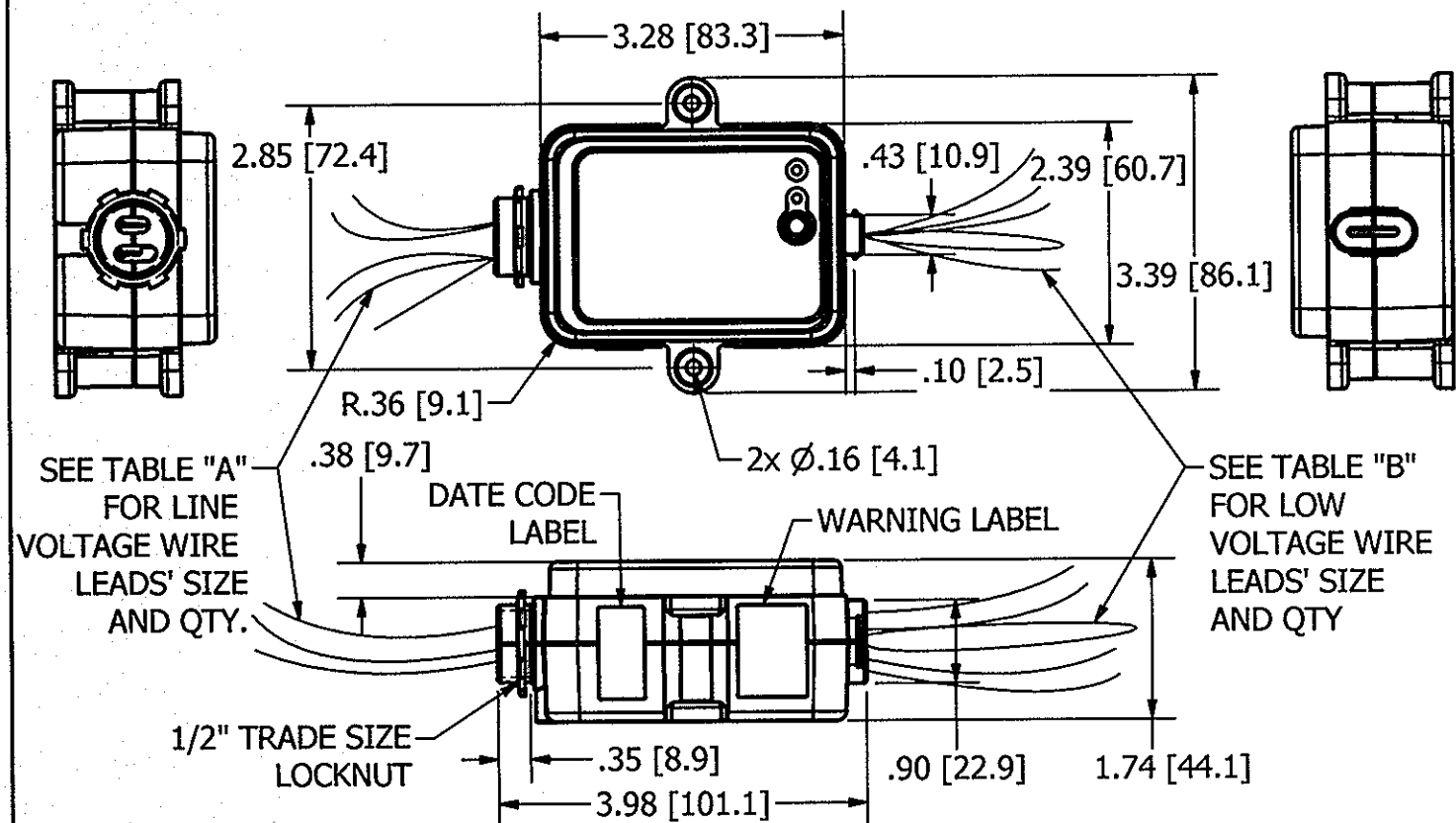


M-12083

2



CAT. #	DESCRIPTION	"A" LINE VOLTAGE	"B" LOW VOLTAGE	RATING	WIRE DIAGRAM	TRANSMIT (TX) /RECEIVE (RX)
WLC302	2-RELAY, HEAVY DUTY WIRELESS LOAD CONTROL PACK	(4) #12 & (1) #16	NO WIRE LEAD	100-277VAC, 20A	I	RX
WLC301	1-RELAY, HEAVY DUTY WIRELESS LOAD CONTROL PACK	(2) #12 & (1) #16	NO WIRE LEAD	100-277VAC, 20A	II	RX
WLCA	WIRELESS OCCUPANCY SENSOR ADAPTER	NO WIRE LEAD	(3) #22	INPUT 24 VDC 40mA	III	TX
AAR20P	HD ADD-A-RELAY, WIRED	(2) #12 & (1) #16	(4) #22 WIRE LEAD & (1) #22 WIRE LOOP	LINE VOLTAGE SIDE: 100-277 VAC, 20A. LOW VOLTAGE SIDE: INPUT 24 VDC 50mA	IV	N/A
CU300HD CU300HDU	POWER PACK WITH HD RELAY, WIRED, OCCUPANCY ON/VACANCY OFF OR MANUAL ON & OFF/AUTO OFF	(2) #12 & (1) #16	(4) #22 WIRE LEAD & (1) #22 WIRE LOOP	LINE VOLTAGE SIDE: 100-277VAC, 20A. LOW VOLTAGE SIDE: 24 VDC, 250 mA. OUTPUT	IV	N/A
CU300ELC	EMERGENCY LIGHT CONTROLLER	(2) #12 & (4) #16	(2) #18 WIRE LEAD & (1) #18 WIRE LOOP	LINE VOLTAGE SIDE: 100-277VAC, 20A. LOW VOLTAGE SIDE: 24 VDC, 250 mA.	V	N/A
WLCU301	CU300HD WITH WIRELESS TRANSMIT	(2) #12 & (1) #16	(4) #22 WIRE LEAD & (1) #22 WIRE LOOP	LINE VOLTAGE SIDE: 100-277 VAC, 20A. LOW VOLTAGE OUTPUT: 24 VDC, 250 mA	IV	TX

NOTES: (UNLESS OTHERWISE SPECIFIED)
 1. ALL DIMENSIONS ARE IN INCHES [mm].
 2. WIRE LEADS ARE 6" LONG STRANDED WIRE WITH .5" STRIPPED END.

CODE 74545

LIST OF PARTS

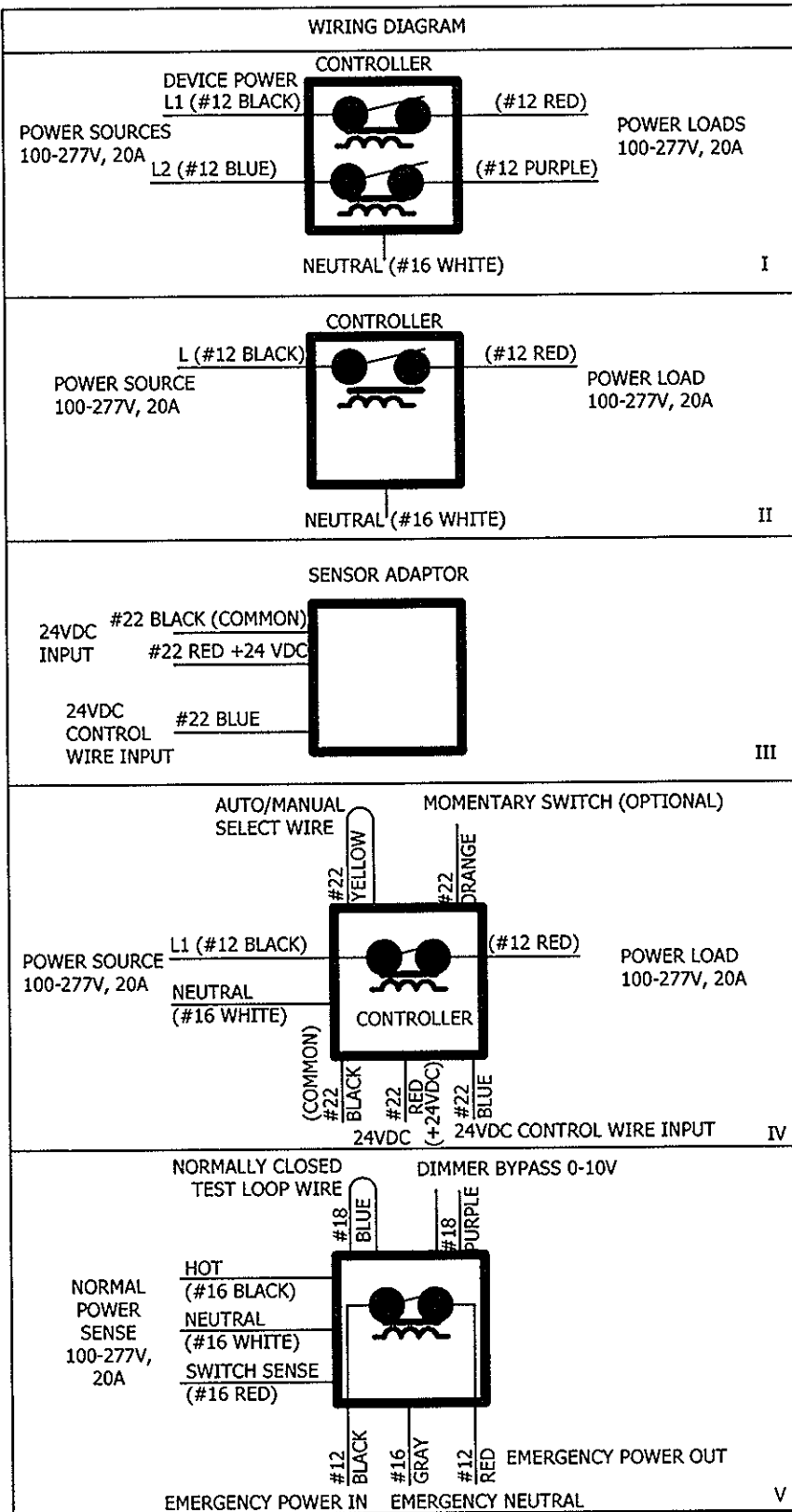
DESCRIPTION	MATERIAL	FINISH
TOP	THERMOPLASTIC	
BOTTOM	THERMOPLASTIC	
PCB	EPOXY RESIN	
SCREWS	STEEL	Zn PLATE
COVER	THERMOPLASTIC	
LOCKNUT	STEEL	Zn PLATE
SLOT SHUTTER	THERMOPLASTIC	

DIMENSION SHEET FOR CAT. NO. SEE TABLE

REPAIRABLE NON-REPAIRABLE

B M-12083

2



2	ADDED CATALOG NUMBER AAR20P, CU300HDU, CU300ELC & WIRE DIAGRAM V. PER DCN 21945	JZW	2/25/2016
1	NEW RELEASE PER DCN #19877.	DL	06/25/13
SYM	DESCRIPTION	APPRO	DATE

THE DESIGN AND DIMENSIONS OF THE PRODUCT SHOWN ON THIS DRAWING ARE SUBJECT TO CHANGE WITHOUT NOTICE

TITLE LOAD CONTROL PACK, PLUG LOAD CONTROLLER

TOLERANCES UNLESS OTHERWISE SPECIFIED	WIRING DEVICE-KELLEMS HUBBELL INCORPORATED SHELTON, CT	
FRACTIONS ±1/64	DR. BY DL	APP. BY
DECIMALS ±.005	TR. BY	SCALE 1:2
ANGLES ±2°	CHK'D BY	DATE 11/18/2011