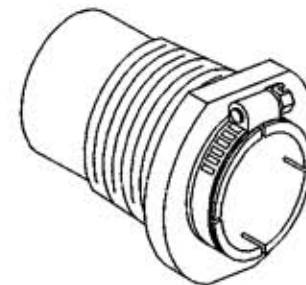
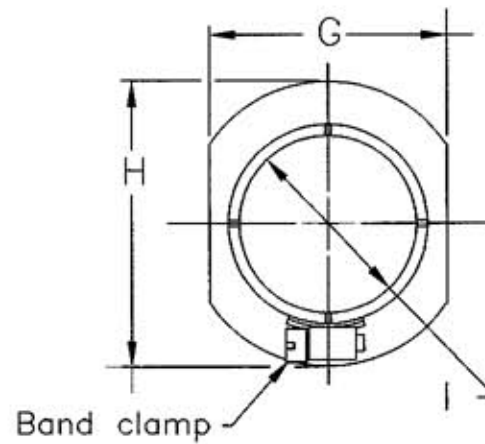
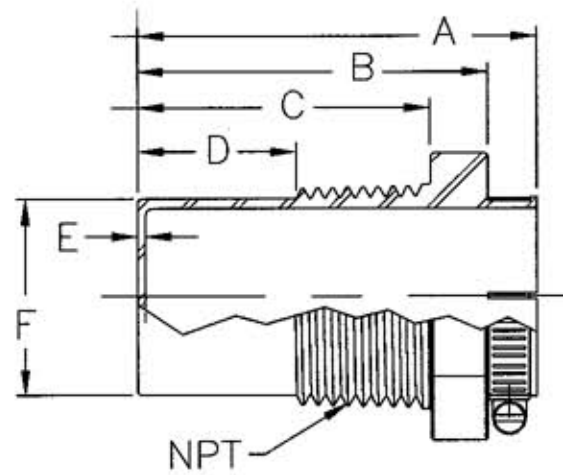


# M-8775 1

HUBBELL MODEL	A	B	C	D	E	F	NPT	G	H	I	WEIGHT (OZ.)
WMPTSB12D	44.5 (1.75)	33.0 (1.30)	26.7 (1.05)	9.14 (0.36)	0.76 (0.03)	17.8 (0.70)	1/2 x 14	25.1 (0.99)	31.8 (1.25)	12.1 (.048)	0.7
WMPTSB18D	59.7 (2.35)	48.3 (1.90)	38.9 (1.53)	16.5 (0.65)	1.52 (0.06)	22.6 (0.89)	3/4 x 14	31.5 (1.24)	37.3 (1.47)	18.1 (0.71)	1.1
WMPTSB30T						36.6 (1.44)	1-1/4 x 11.5	44.5 (1.75)	50.0 (1.97)	30.1 (1.19)	2.8



LIST OF PARTS		
DESCRIPTION	MATERIAL	FINISH

1	5/1/02 "X" REMOVED; LAST "X" REVISION WAS X-0. RELEASED FOR PRODUCTION PER DCN #9320. GDR MJL	APP	DATE
SYM	REVISIONS	APP	DATE

THE DESIGN AND DIMENSIONS OF THE PRODUCT SHOWN ON THIS DRAWING ARE SUBJECT TO CHANGE WITHOUT NOTICE

TITLE  
SENSOR WELLS, PIPE TAPER-SMOOTH BORE

TOLERANCES UNLESS OTHERWISE SPECIFIED FRACTIONS ±/64 DECIMALS ±.005 ANGLES ±2'	WRING DEVICE—KELLEMS HUBBELL INCORPORATED BRIDGEPORT, CT		
	DR. BY GDR	APP. BY <i>MJL</i>	DATE 5/1/02
	TR. BY	SCALE NONE	
	CHK'D BY		

UNLESS OTHERWISE SPECIFIED DIMENSIONS ARE IN mm (INCHES)  
NOTES:

- The 12 and 18mm models are Delrin and the 30mm model is Teflon.
- Band clamps are all stainless steel.

DIMENSION SHEET FOR CAT. NO. SEE CHART REPAIRABLE  NON-REPAIRABLE  B M-8775 1