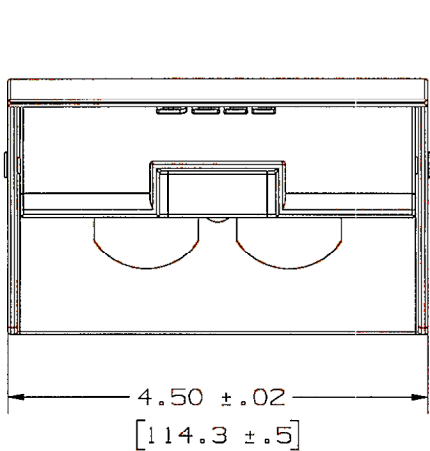
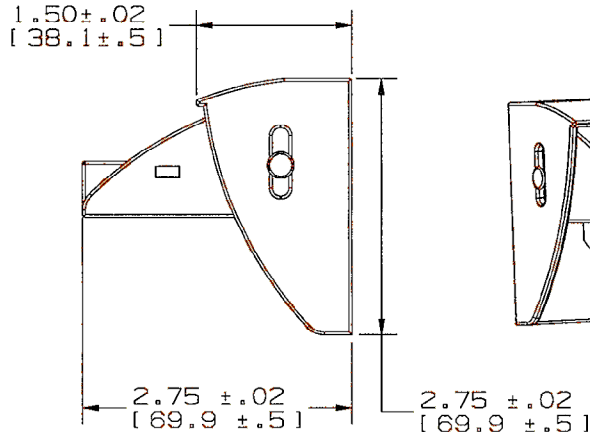


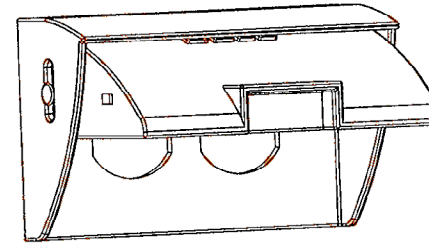
M-12157 2



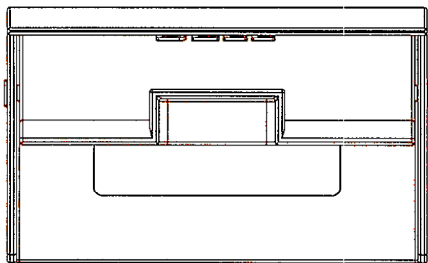
CAT. NO. WP8H
DUPLIX OPENING



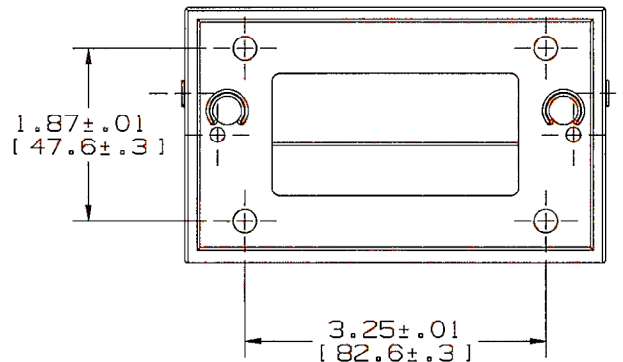
SIDE VIEW
WITH DOOR OPEN



ISO VIEW



CAT. NO. WP26H
GFCI/DECORATOR
SERIES OPENING



PRODUCT INCLUDES FOLLOWING ITEMS:

1. COVER ASSEMBLED TO BASE.
2. FOAM GASKET MATERIAL FOR WEATHERTITE SEAL. (NOT SHOWN)
3. ASSEMBLY HARDWARE CONSISTING OF MTG. SCREWS PACKAGED IN A POLYBAG FOR DEVICE AND BOX MOUNTING.
4. PRODUCT IDENTIFICATION CARD, INCLUDES INSTALLATION INSTRUCTIONS.
5. PRODUCT COMPLETELY WRAPPED IN CELLOPHANE.
6. DIMENSIONS IN INCHES [MM].

LIST OF PARTS

DESCRIPTION	MATERIAL	FINISH
COVER	ALUMINUM	GRAY
GASKET	FOAM	BLACK
MTG. SCREWS	STEEL	

DIMENSION SHEET FOR CAT. NO.

SEE NOTES

REPAIRABLE NON-REPAIRABLE

B

M-12157

2

2	IN TITLE BLOCK, SEE NOTES WAS R050010 & R050020. PER DCN 18963 DDL	D.JP	07/13/12
1	NEW RELEASE PER DCN 18606 SPN	D.JP	2/13/12
SYM	REVISIONS	APP	DATE

THE DESIGN AND DIMENSIONS OF THE PRODUCT SHOWN ON THIS DRAWING ARE SUBJECT TO CHANGE WITHOUT NOTICE

TITLE
CUSTOMER DRAWING
1G WEATHERPROOF COVER

TOLERANCES UNLESS OTHERWISE SPECIFIED .XX = ± .01 .XXX = ± .005 ANGLES = ± 2°	WIRING DEVICE-KELLEMS HUBBELL INCORPORATED SHELTON, CT	
	DR. BY SPN	APP. BY DJP
	TR. BY	SCALE NONE
	CHK. BY DJP	DATE 2/13/12