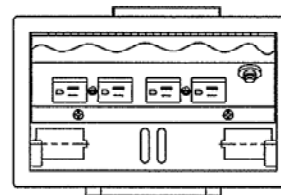
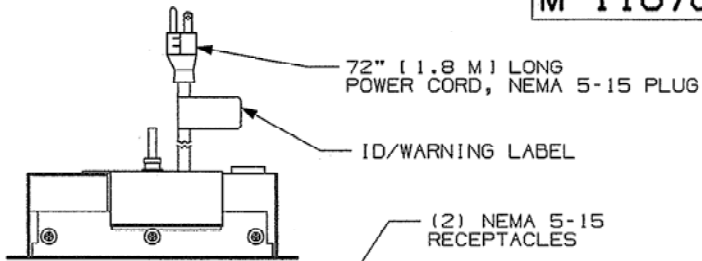
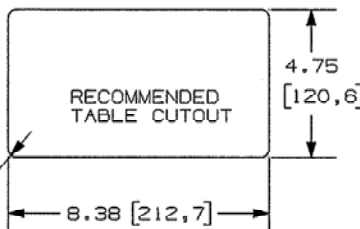
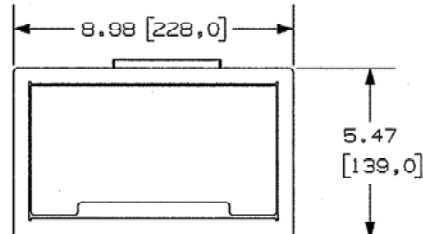
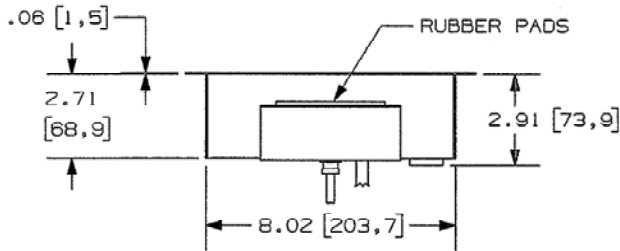
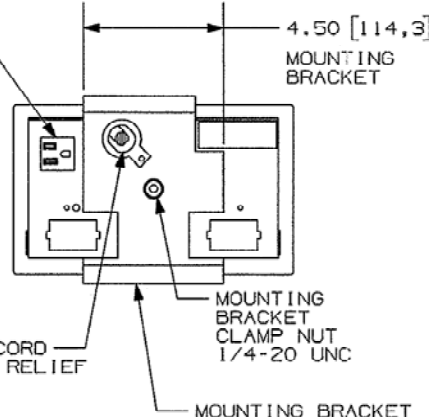
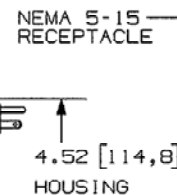
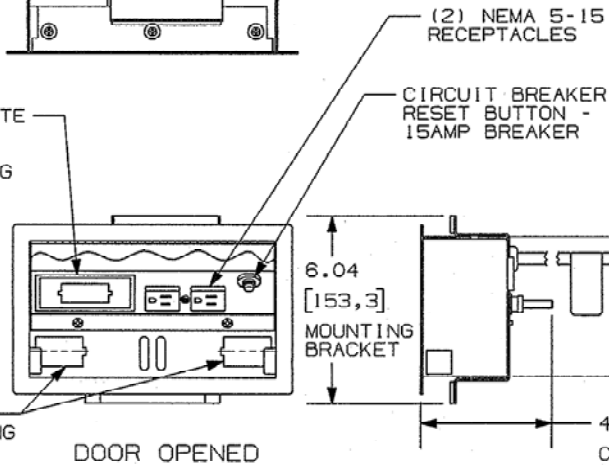


M-11676 1



LOW VOLTAGE PLATE SUPPLIED WITH 1 UNIT HUBBELL DISTRIBUTION OPENING

1 UNIT HUBBELL DISTRIBUTION OPENING



DOOR CLOSED

4X R.25 [6,4] MAX SQUARE PERMISSIBLE

TABLE THICKNESS RANGE .88" (22,2) TO 2.0" (50,8)

CATALOG NO.	STYLE	FINISH
WSBB23UBK	(2) 15A, 125V RECEPTACLES, (1) 1 UNIT DISTRIBUTION MODULE	BLACK
WSBB23UBAL	(2) 15A, 125V RECEPTACLES, (1) 1 UNIT DISTRIBUTION MODULE	BRUSHED ANODIZED ALUMINUM
WSBB23UBSS	(2) 15A, 125V RECEPTACLES, (1) 1 UNIT DISTRIBUTION MODULE	BRUSHED STAINLESS STEEL
WSBB43UBK	4 15A-125V RECEPTACLES	BLACK
WSBB43UBAL	4 15A-125V RECEPTACLES	BRUSHED ANODIZED ALUMINUM
WSBB43UBSS	4 15A-125V RECEPTACLES	BRUSHED STAINLESS STEEL

NOTES, UNLESS OTHERWISE SPECIFIED:  
 1) ALL DIMENSIONS ARE IN INCHES AND (MILLIMETERS)  
 2) LOW VOLTAGE PLATE ACCEPTS HUBBELL "DISTRIBUTION" MODULES, 1 UNIT.

LIST OF PARTS

DESCRIPTION	MATERIAL	FINISH
HOUSING	STEEL	SEE TABLE
COVER	STEEL	SEE TABLE
MOUNTING BRACKET	STEEL	BLACK
STRAIN RELIEF	NYLON	BLACK
POWER CORD	TYPE SJT	BLACK
FLAG LABEL	MYLAR	WHITE
RECEPTACLES	THERMOPLASTIC	BLACK
FASTENERS	STEEL	ZINC
ELASTOMERIC PADS	ELASTOMERIC FOAM	BLACK
FASTENERS	STEEL	BLACK OXIDE

DIMENSION SHEET FOR CAT. NO. SEE TABLE

REPAIRABLE  NON-REPAIRABLE

B

M-11676

1

1	RELEASED PER DCN10888	8/18/10
SYM	REVISIONS	APP DATE

THE DESIGN AND DIMENSIONS OF THE PRODUCT SHOWN ON THIS DRAWING ARE SUBJECT TO CHANGE WITHOUT NOTICE

TITLE RECESSED CONCEALED SERVICES WORK SURFACE UNIT

TOLERANCES UNLESS OTHERWISE SPECIFIED FRACTIONS ± 1/64 DECIMALS ± .005 ANGLES ± 2'	WIRING DEVICE-KELLENS HUBBELL INCORPORATED BRIDGEPORT, CT	
	DR. BY SRE	APP. BY
	TR. BY	SCALE 1/4
	CHK'D BY	DATE 8/18/10