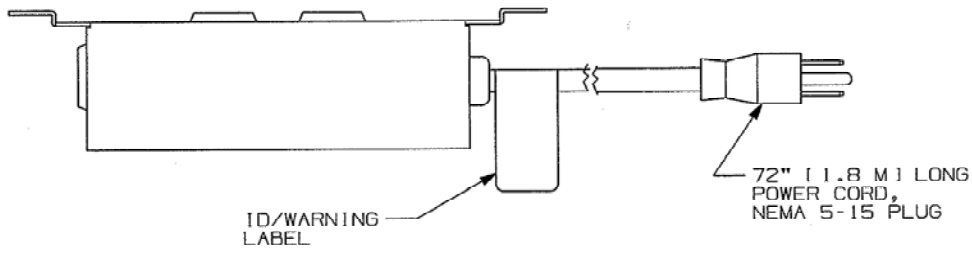
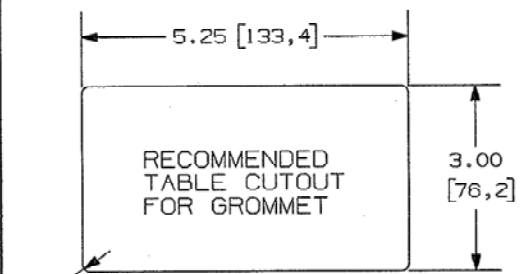
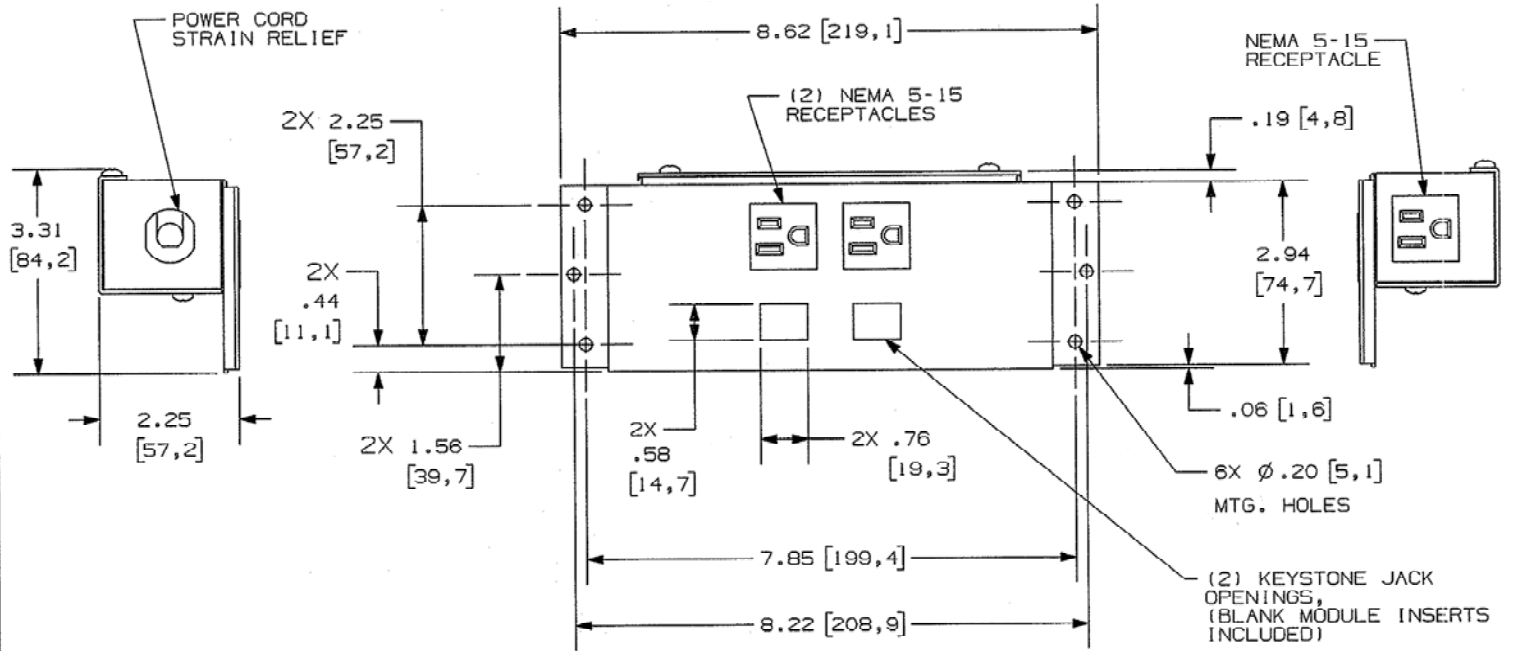


M-11682 1



CATALOG NUMBER	FINISH
WSBF22BK	BLACK
WSBF22SV	SILVER

UNLESS OTHERWISE SPECIFIED:  
 1. ALL DIMENSIONS ARE IN INCHES AND (MILLIMETERS)  
 2. SEE M-11683 FOR GROMMET DIMENSIONS

LIST OF PARTS

DESCRIPTION	MATERIAL	FINISH
HOUSING	STEEL	SEE TABLE
STRAIN RELIEF	NYLON	BLACK
POWER CORD	TYPE SJT	BLACK
FLAG LABEL	MYLAR	WHITE
RECEPTACLES	THERMOPLASTIC	BLACK
FASTENERS	STEEL	BLACK OXIDE

DIMENSION SHEET FOR CAT. NO.

SEE TABLE

REPAIRABLE  NON-REPAIRABLE

B

M-11682

1

1	RELEASED PER DCN16898	8/18/10
SYM	REVISIONS	APP DATE

THE DESIGN AND DIMENSIONS OF THE PRODUCT SHOWN ON THIS DRAWING ARE SUBJECT TO CHANGE WITHOUT NOTICE

TITLE  
 WORKSURFACE BOX  
 GROMMET STYLE

TOLERANCES UNLESS OTHERWISE SPECIFIED FRACTIONS ± 1/64 DECIMALS ± .005 ANGLES ± 2'	WIRING DEVICE-KELLEMS HUBBELL INCORPORATED BRIDGEPORT, CT	
	DR. BY SRE	APP. BY <i>h</i>
	TR. BY	SCALE 1:2
	CHK'D BY <i>h</i>	DATE 8/18/10