

**M-11680 1**

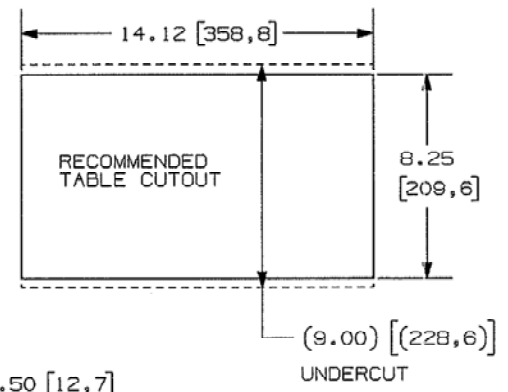
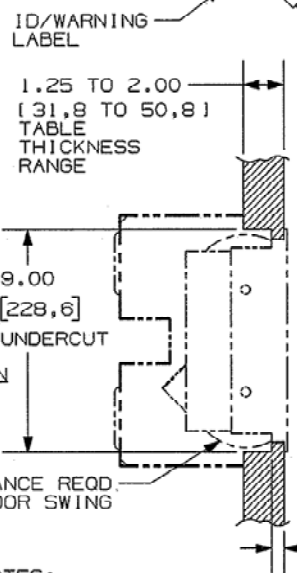
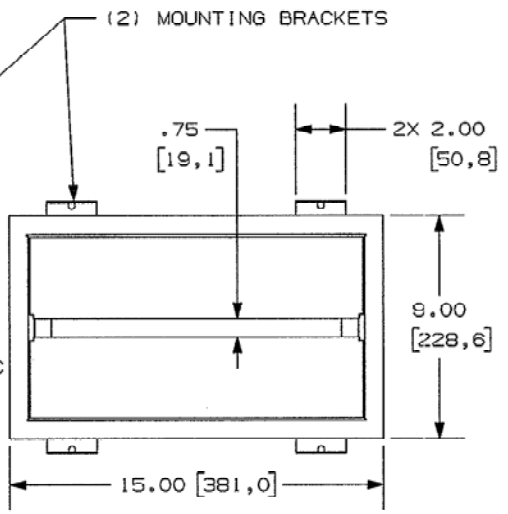
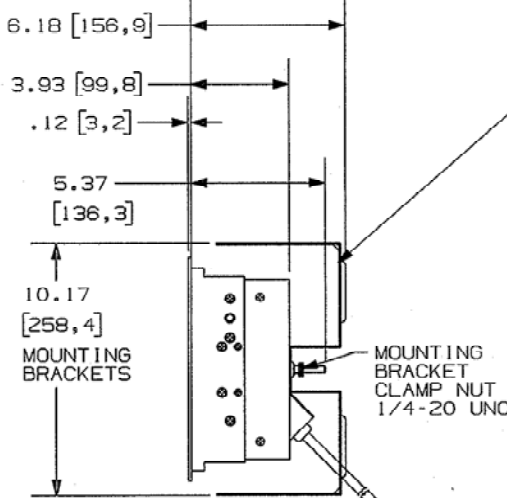
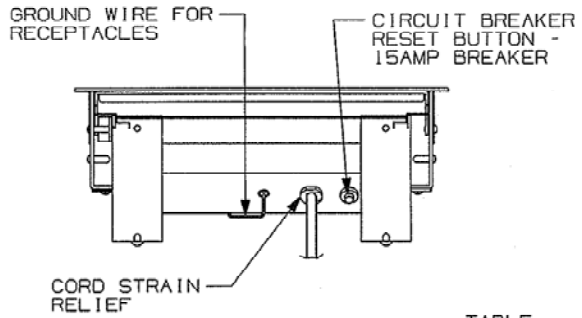
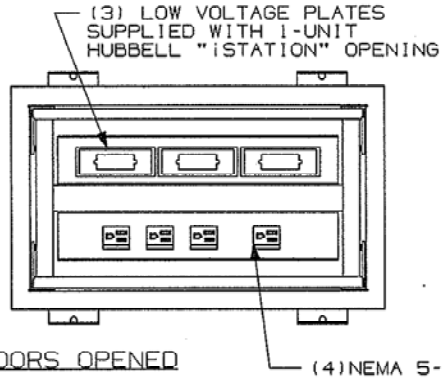
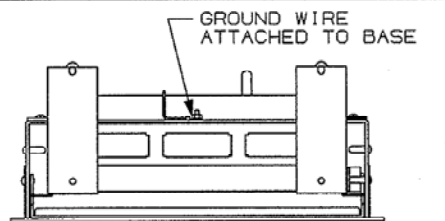
DIMENSION SHEET PER CAT. NO. SEE TABLE

REPAIRABLE  NON-REPAIRABLE

B

M-11680

1



CATALOG NO.	FINISH	COVER MATERIAL
WSBG43UBAL	CLEAR ANODIZED	ALUMINUM
WSBG43UBDA	CLEAR ANODIZED	ALUMINUM
WSBG43USV	SILVER	STEEL
WSBG43UBK	BLACK	STEEL

- NOTES:**
- 1) ALL DIMENSIONS ARE IN INCHES AND [MILLIMETERS]
  - 2) CIRCUIT BREAKER RESET NOT ACCESSIBLE FROM TOP OF UNIT.
  - 3) LOW VOLTAGE PLATES ACCEPT HUBBELL "iSTATION" MODULES, 1-UNIT.
  - 4) RECEPTACLES GREY COLOR EXCEPT FOR BLACK FINISH PRODUCTS.

**LIST OF PARTS**

DESCRIPTION	MATERIAL	FINISH
HOUSING	STEEL	SEE TABLE
COVERS	SEE TABLE	SEE TABLE
MOUNTING BRACKETS	STEEL	SEE TABLE
STRAN RELIEF	NYLON	BLACK
POWER CORD	TYPE SJT	BLACK
FLAG LABEL	MYLAR	WHITE
RECEPTACLES	THERMOPLASTIC	SEE NOTES
FASTENERS	STEEL	ZINC

1 RELEASED PER DCN16998 8/19/10  
 SYM REVISIONS APP DATE

THE DESIGN AND DIMENSIONS OF THE PRODUCT SHOWN ON THIS DRAWING ARE SUBJECT TO CHANGE WITHOUT NOTICE

**TITLE**  
 WORK SURFACE ELITE SERIES RECESSED CONCEALED SERVICES

TOLERANCES UNLESS OTHERWISE SPECIFIED	WIRING DEVICE-KELLEMS HUBBELL INCORPORATED BRIDGEPORT, CT	
FRACTIONS ±1/64	DR. BY SRE	APP. BY <i>[Signature]</i>
DECIMALS ±.005	TR. BY	SCALE 1:2
ANGLES ±2°	CHK'D BY <i>[Signature]</i>	DATE 8/19/10