

DIMENSION SHEET FOR CAT. NO. SEE TABLE

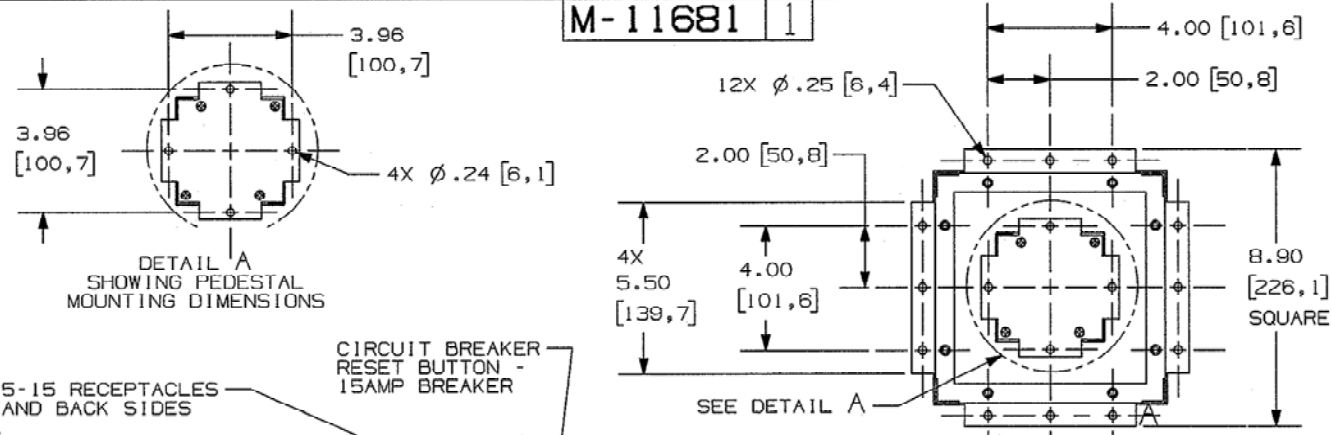
REPAIRABLE NON-REPAIRABLE

B

M-11681

1

M-11681 | 1



LIST OF PARTS		
DESCRIPTION	MATERIAL	FINISH
HOUSING	STEEL	SEE TABLE
PEDESTAL	STEEL	SEE TABLE
STRAIN RELIEF	NYLON	BLACK
POWER CORD	TYPE SJT	BLACK
FLAG LABEL	MYLAR	WHITE
RECEPTACLES	THERMOPLASTIC	BLACK
FASTENERS	STEEL	ZINC
SPRINGS	SPRING STEEL	ZINC
SLIDES	STEEL	ZINC
GROMMETS/CORD CLAMPS	NYLON	BLACK

(2) NEMA 5-15 RECEPTACLES ON FRONT AND BACK SIDES
(4) TOTAL

PEDESTAL SHOWN IN FULL EXTENDED POSITION

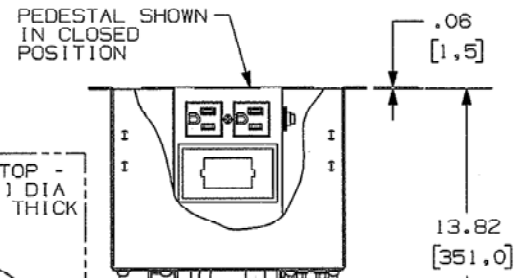
CIRCUIT BREAKER RESET BUTTON - 15AMP BREAKER

(2) LOW VOLTAGE PLATES SUPPLIED WITH 1 UNIT HUBBELL INSTANT OPENING

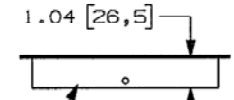
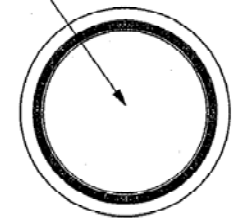
7.50 [190,5] SQUARE

6.06 [153,9]

4.00 [101,6]

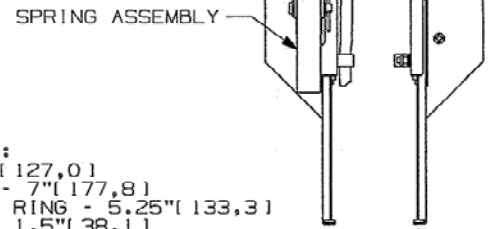


DECORATIVE TOP - 5.25" (133,3) DIA X .12" (3,2) THICK



1.04 [26,5]

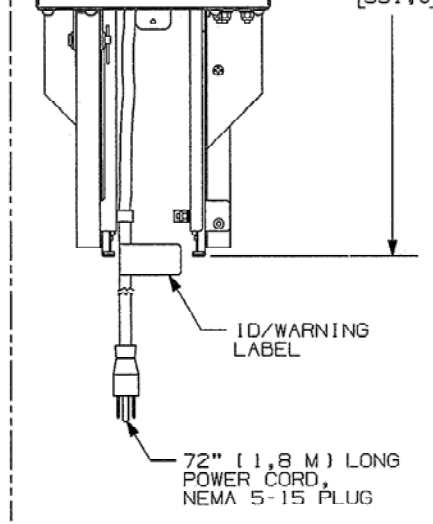
TRIM RING - 6.75" (171,4) O.D. FLANGE 5.99" (152,1) I.D.



FOR ROUND APPLICATION:
 MAXIMUM TOP SIZE - 5" (127,0)
 MAXIMUM OPENING SIZE - 7" (177,8)
 TOP SIZE FOR USE WITH RING - 5.25" (133,3)
 MAX TABLE THICKNESS - 1.5" (38,1)

CATALOG NUMBER	DESCRIPTION	FINISH
WSBH42U	BASE UNIT	-
WSBHTRBK	TRIM RING & DECORATIVE TOP	BLACK
WSBHTRBSS	TRIM RING & DECORATIVE TOP	BRUSHED STAINLESS STEEL

NOTES - UNLESS OTHERWISE SPECIFIED:
 1) ALL DIMENSIONS ARE IN INCHES AND (MILLIMETERS)
 2) DECORATIVE TOP AND TRIM RING SOLD SEPERATELY



1	RELEASED PER DCN16899	8/20/10
SYM	REVISIONS	APP DATE

THE DESIGN AND DIMENSIONS OF THE PRODUCT SHOWN ON THIS DRAWING ARE SUBJECT TO CHANGE WITHOUT NOTICE

TITLE
 WORKSURFACE ELITE SERIES POP-UP UNIT

TOLERANCES UNLESS OTHERWISE SPECIFIED FRACTIONS ± 1/64 DECIMALS ± .005 ANGLES ± 2°	WIRING DEVICE-KELLEMS HUBBELL INCORPORATED BRIDGEPORT, CT	
	DR. BY SRE	APP. BY <i>fm</i>
	TR. BY	SCALE 1:2
	CHK'D BY <i>fm</i>	DATE 8/20/10