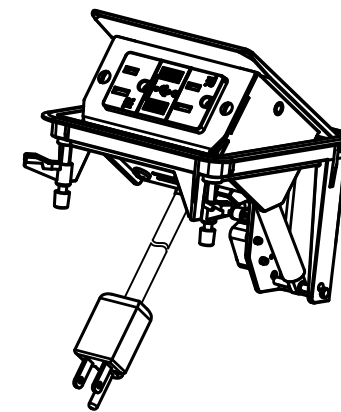
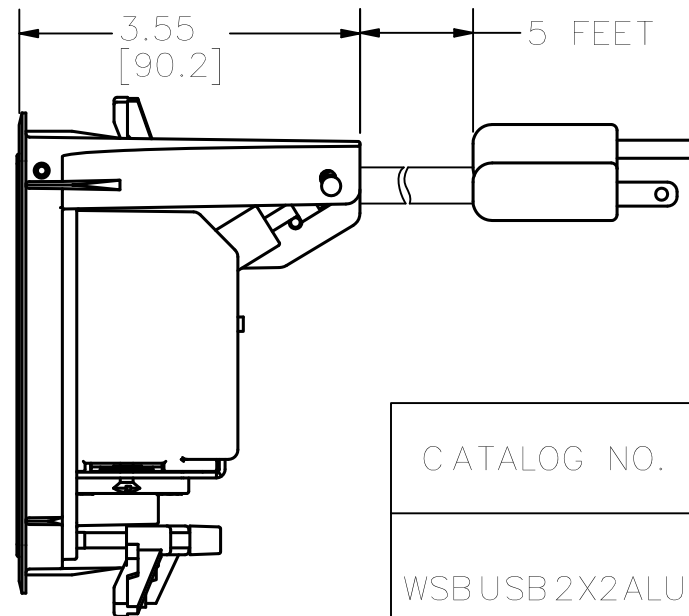
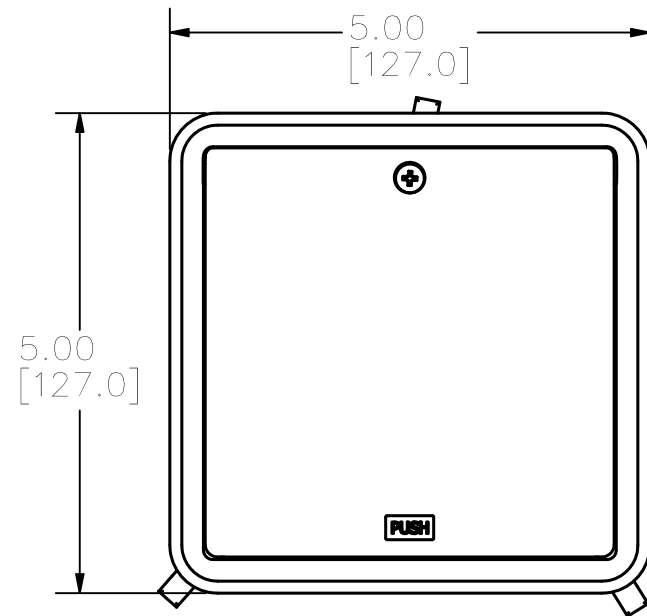
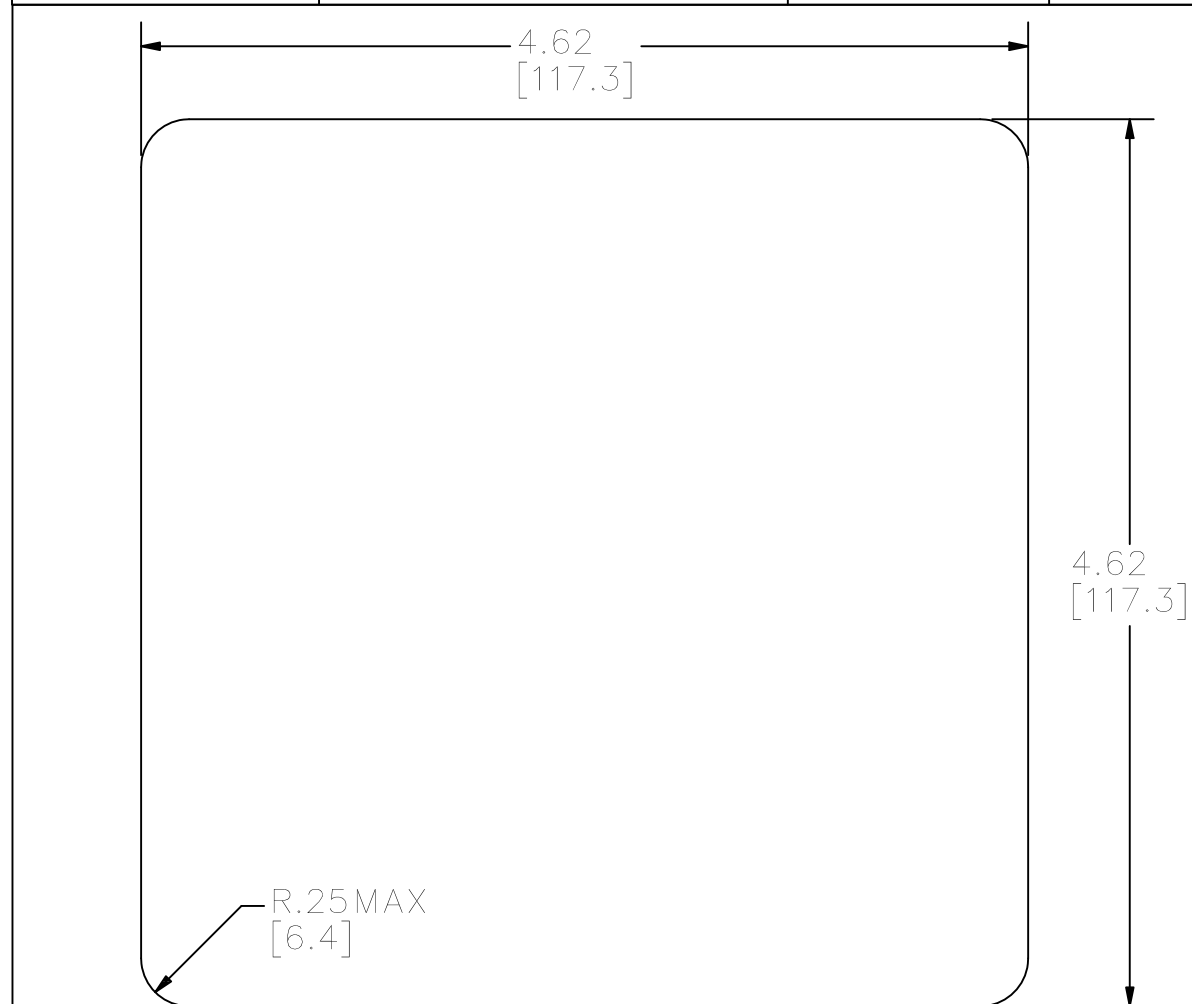
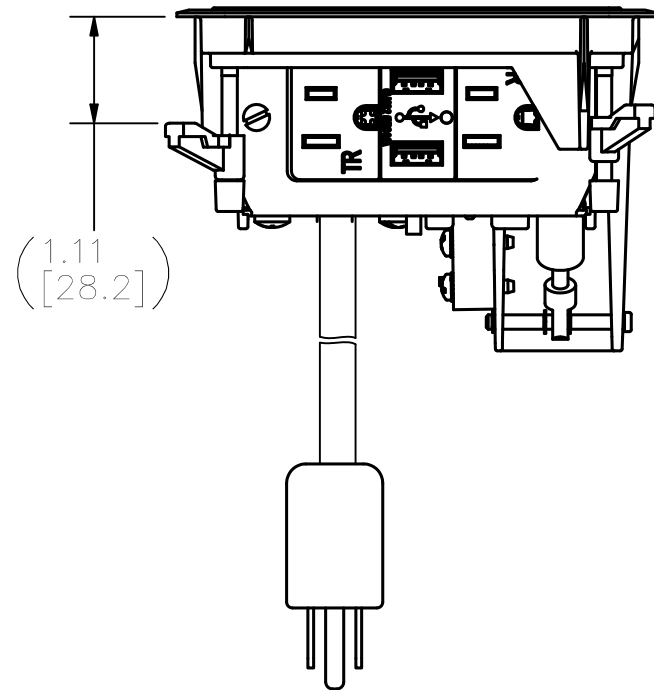


M-12540

3



CATALOG NO.	DESCRIPTION	FINISH	USB COLOR
WSBUSB2X2ALU	POP UP, WORK BOX, USB15X2, 5FT, ALUMINUM BRUSHED FINISH	BRUSHED ALUMINUM	GRAY
WSBUSB2X2BLK	POP UP, WORK BOX, USB15X2, 5FT, POWDER COATING FINISH	BLACK POWDERCOAT	BLACK



CUTOUT OPENING (FULL SCALE)

LIST OF PARTS

DESCRIPTION	MATERIAL	FINISH
FLANGE	ALUMINUM	PER CAT#
COVER	ALUMINUM	PER CAT#
FACE PLATE	STAINLESS STEEL	
RECEPTACLE W/USB CHARGER	THERMOPLASTIC	SEE TABLE "USB COLOR"
SCREWS	STEEL	ZINC PLATE
SCREWS	STAINLESS STEEL	
THREAD PLUG	ALUMINUM	PER CAT#
POWER CORD	PVC	BLACK
PINS	STAINLESS STEEL	
GAS SPRING	STEEL	
RETAINING RING	STAINLESS STEEL	
PAWL	THERMOPLASTIC	
PROTECTION CAP	ELASTOMER	

REV	DESCRIPTION	APP	DATE
1	NEW RELEASE PER DCN #20618. C.Z		06/26/14
2	ADD RADIUS R.25 MAX TO CUTOUT OPENING. ADD USB COLOR COLUMN TO TABLE. IN LIST OF PARTS SEE TABLE "USB COLOR" WAS WHITE. PER DCN#20691 EMD		08/15/14
3	ADD STAINLESS STEEL SCREWS TO THE TABLE PER DCN#20838 EMD.		10/14/14

THE DESIGN AND DIMENSIONS OF THE PRODUCT SHOWN ON THIS DRAWING ARE SUBJECT TO CHANGE WITHOUT NOTICE

TITLE	HOSPITALITY BOX		
-------	-----------------	--	--

TOLERANCES UNLESS OTHERWISE SPECIFIED .XX = ± .01 .XXX = ± .005 ANGLES = ± 2°	WIRING DEVICE-KELLEMS HUBBELL INCORPORATED SHELTON, CT		
	DR. BY G.D	APP. BY	
	TR. BY DL	SCALE 1/2	
	CHK. BY C.Z	DATE 20140329	

NOTES:

- RATING / TYPE:
RECEPTACLE: 15A 125V.
USB PORT CHARGER OUTPUT: 5 VDC 3A MAX.
POWER CORD: NEMA 5-15P.
- ALL DIMENSIONS ARE IN INCHES [mm] EXCEPT POWER CORD LENGTH IN FOOT.
- c-UL-us LISTED.