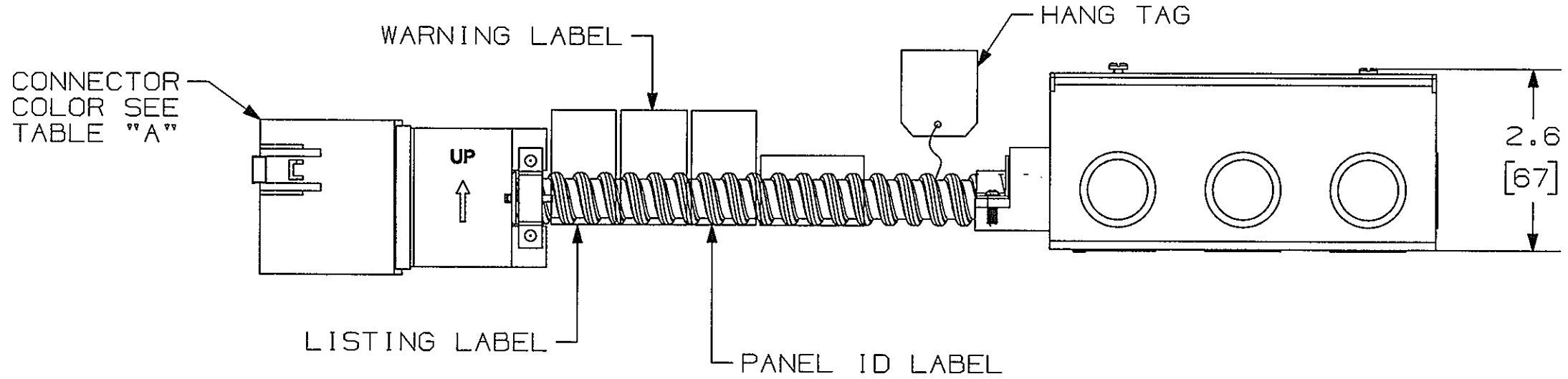
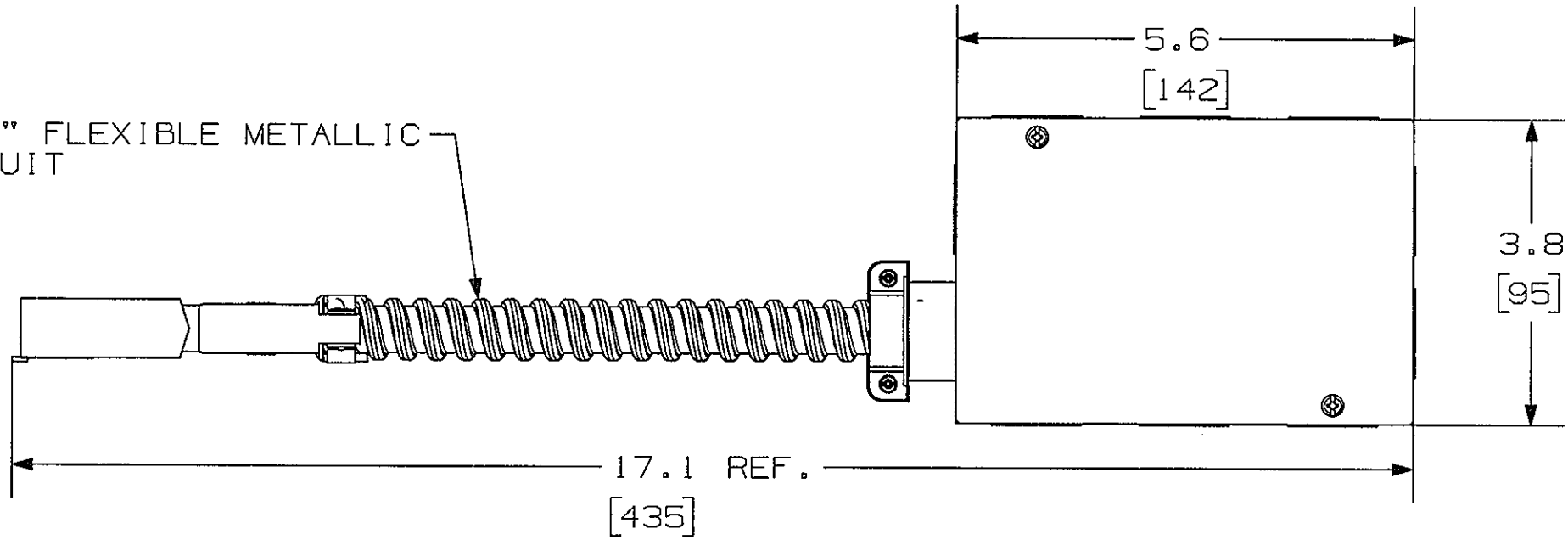


M11897 4

9/16" FLEXIBLE METALLIC CONDUIT



LIST OF PARTS

DESCRIPTION	MATERIAL	FINISH
BOTTOM	GALV. STEEL	
COVER	GALV. STEEL	
CONDUIT RETAINER	CAST ALUM.	
FLEX CONDUIT	STEEL	ZINC PL.
GROUND SCREW	STEEL	ZINC PL.+GREEN
RING TERMINAL	COPPER	TIN PLATE
SCREWS	STEEL	ZINC PL.
CONNECTOR	THERMOPLASTIC	

DIMENSION SHEET FOR CAT. NO.

SEE TABLE

REPAIRABLE

NON-REPAIRABLE

B

M11897

4

SYM	REVISIONS	APP	DATE
4	RING TERMINAL WAS WASHER PER DCN #22294.	D.W.	07/25/16
3	9/16" WAS 1/2" FITTING PER DCN #21027.		02/05/15
2	UPDATE THE PRINT PER DCN #20705.		10/22/14
1	NEW RELEASE PER DCN #20674.		7/9/14

THE DESIGN AND DIMENSIONS OF THE PRODUCT SHOWN ON THIS DRAWING ARE SUBJECT TO CHANGE WITHOUT NOTICE

TITLE
FURNITURE FEED BOX

TOLERANCES UNLESS OTHERWISE SPECIFIED .XX = ±.01 .XXX = ±.005 ANGLES = ±2°	WIRING DEVICE-KELLEMS HUBBELL INCORPORATED SHELTON, CT	
	DR. BY DL	APP. BY
	TR. BY	SCALE 1:2
	CHK. BY	DATE 03/16/11

CAT. #	CONFIGURATION	COLOR "A"	SERIES
ZB422S2C4W1PIN	FURNITURE FEED BOX, 8-WIRES 4/2/2 (4 HOTS, 2 NEUTRALS, 2 GROUNDS), 2+2	GRAY	422
ZB422S3C4W1PIN	FURNITURE FEED BOX, 8-WIRES 4/2/2 (4 HOTS, 2 NEUTRALS, 2 GROUNDS), 3+1		
ZB332C3W1PIN	FURNITURE FEED BOX, 8-WIRES 3/3/2 (3 HOTS, 3 NEUTRALS, 2 GROUNDS)	BLACK	332
ZB111C1W1PIN	FURNITURE FEED BOX, 3-WIRES 1/1/1 (1 HOT, 1 NEUTRAL, 1 GROUND)		111

NOTES: (UNLESS OTHERWISE SPECIFIED)
1, DIMENSIONS ARE IN INCHES [mm].
2, RATING: 20A 120/208 V.