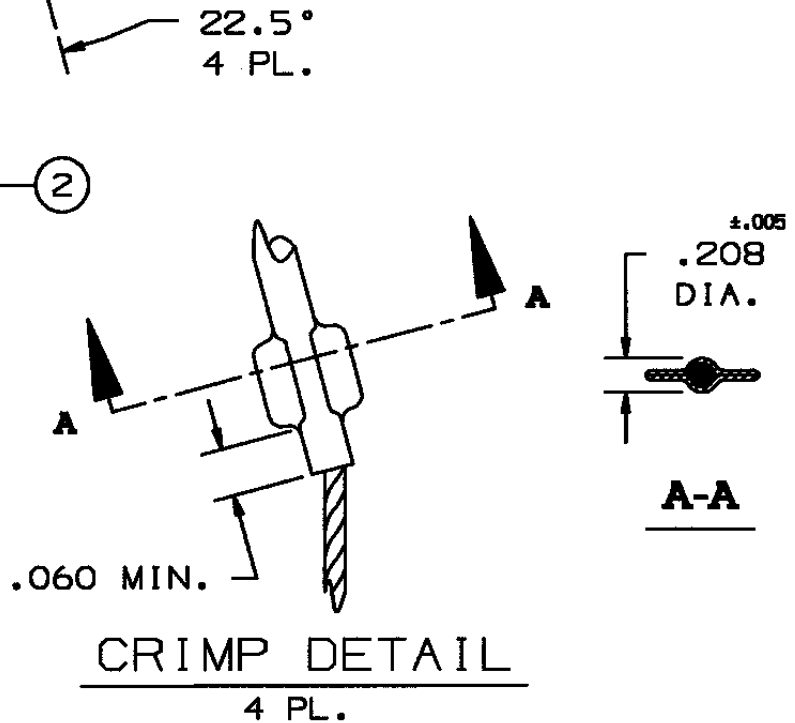
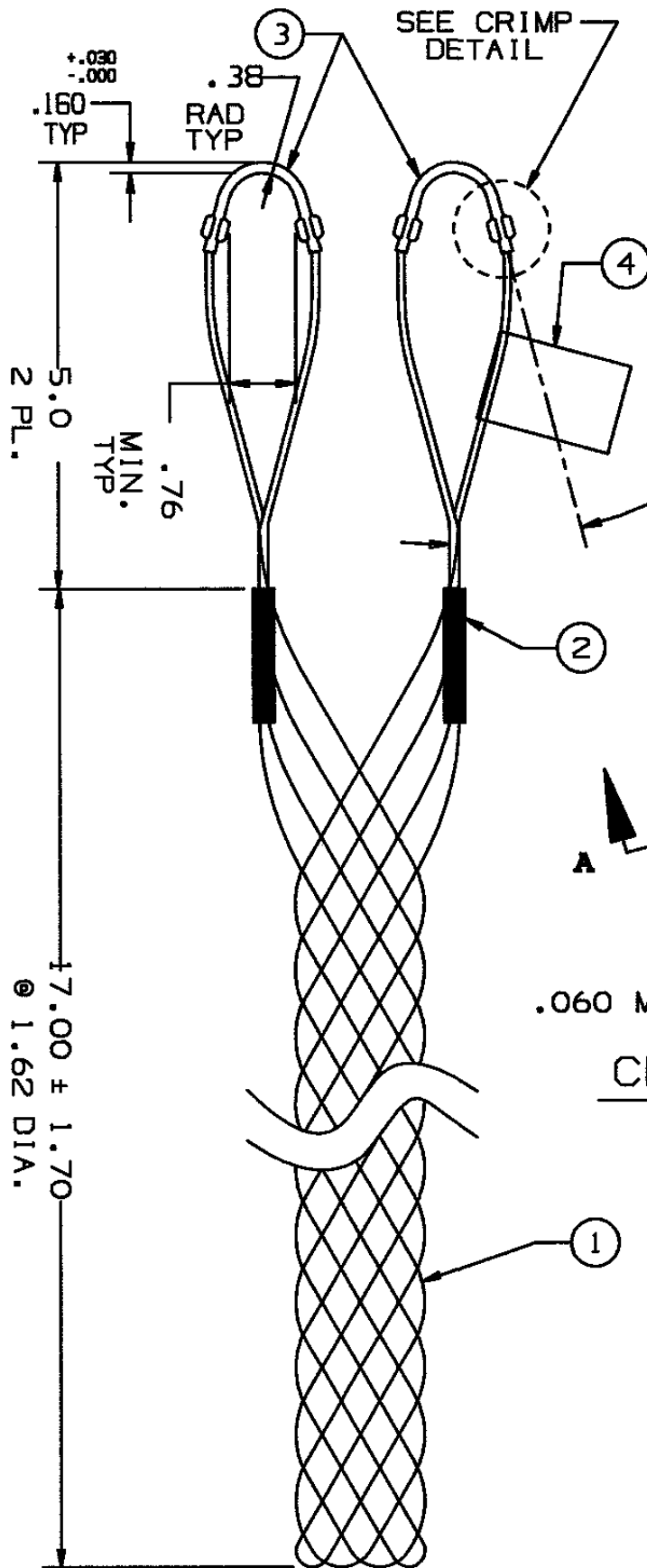


### COMPONENT LIST

ITEM NO.	DESCRIPTION	MAT'L	COMPONENT NO.	QTY.
1	STRAND	T BRZ	302-01-005	-
2	EQUALIZER	SST	304-48-008	2
3	EYE	CU	342-43-004	2
4	TAG	MYLAR		1



IN ACCEPTING OUR DRAWINGS OR BLUEPRINTS FOR QUOTATION OR OTHER PURPOSES, YOU AGREE NOT TO DISCLOSE TO OTHERS THE IDEAS, INFORMATION, OR DESIGNS THEREIN SHOWN, AND THAT YOU WILL MAKE NO USE OF OUR DRAWINGS OR BLUEPRINTS OR OF THE IDEAS, INFORMATION, OR DESIGNS THEREIN SHOWN WITHOUT OUR PERMISSION.

TITLE GRIP, STD. SUPPORT, CLOSED MESH, DOUBLE WEAVE, DOUBLE EYE  
DIA. RA 1.50-1.74  
APPROX BRK STR. 1610# ±20%

TOLERANCES UNLESS OTHERWISE SPECIFIED  
.X = ±.5  
.XX = ±.05  
.XXX = ±.015  
ANGLE TOL. ± 2°

HUBBELL INCORPORATED  
KELLEMS DIVISION  
STONINGTON, CT

PROJECT NO.	DR. BY FEB	APP. BY JLW
	TR. BY	SCALE N/A
	CHK. BY JLW	DATE 10-20-93

DR. NO.	REV.
022-01-007	R