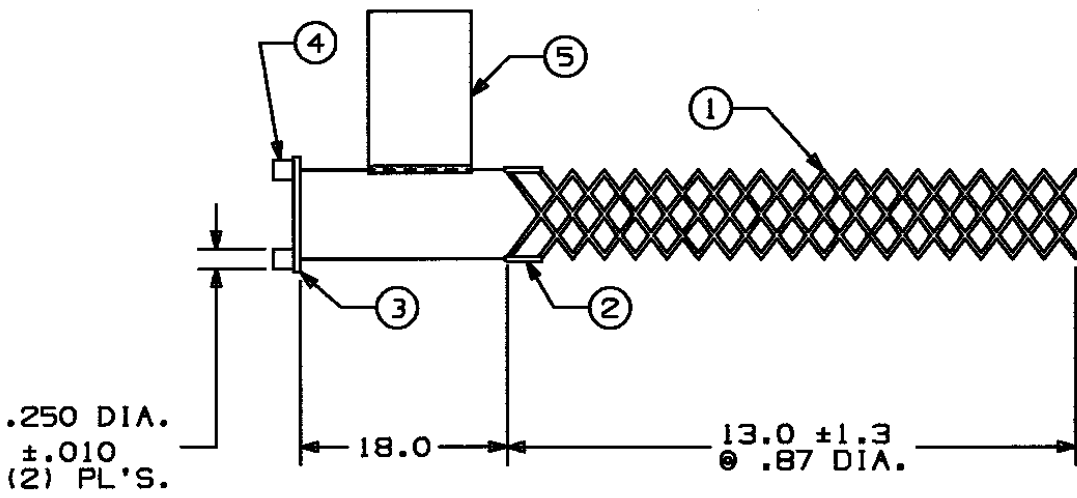


### COMPONENT LIST

ITEM NO.	DESCRIPTION	MAT'L	COMPONENT NO.	QTY.
1	STRAND	T-BRZ	302-74-134	6
2	EQUALIZER	SST	304-48-007	2
3	LINK	BRZ	372-55-001	1
4	LUG	BRZ	372-56-008	2
5	TAG	PLASTIC		1



IN ACCEPTING OUR DRAWINGS OR BLUEPRINTS FOR QUOTATION OR OTHER PURPOSES, YOU AGREE NOT TO DISCLOSE TO OTHERS THE IDEAS, INFORMATION, OR DESIGNS THEREIN SHOWN, AND THAT YOU WILL MAKE NO USE OF OUR DRAWINGS OR BLUEPRINTS OR OF THE IDEAS, INFORMATION, OR DESIGNS THEREIN SHOWN WITHOUT OUR PERMISSION.

**TITLE:**

GRIP-STANDARD SUPPORT  
 CLOSED MESH - SINGLE WEAVE  
 UNIVERSAL BALE  
 DIA. RA. .75 - .99  
 DESCRIPTION: RU-075-18  
 APP. BRK. STR. (LBS.) = 1020

TOLERANCES UNLESS OTHERWISE SPECIFIED .XX = ±.05 .XXX = ±.015 .XXXX = ±.0025 ANGLE TOL. ± 2°	<b>HUBBELL INCORPORATED</b> KELLEMS DIVISION STONINGTON, CT	
PROJECT NO.	DR. BY: KJW	APP. BY: MLF
	TR. BY	SCALE NONE
	CHK. BY JLW	DATE: 3/01/93

DR. NO. 022-01-053	REV. N
-----------------------	-----------