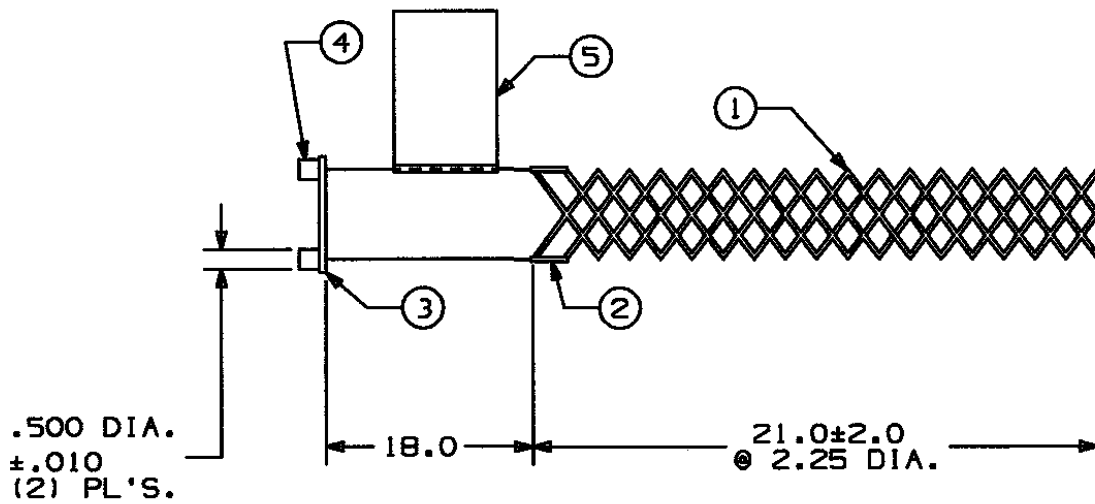


### COMPONENT LIST

ITEM NO.	DESCRIPTION	MAT'L	COMPONENT NO.	QTY.
1	STRAND	T.BRZ	302-74-092	8
2	EQUALIZER	SST	304-48-010	2
3	LINK	BRZ	372-55-004	1
4	LUG	BRZ	372-56-021	2
5	TAG	MYLAR		1



IN ACCEPTING OUR DRAWINGS OR BLUEPRINTS FOR QUOTATION OR OTHER PURPOSES, YOU AGREE NOT TO DISCLOSE TO OTHERS THE IDEAS, INFORMATION, OR DESIGNS THEREIN SHOWN, AND THAT YOU WILL MAKE NO USE OF OUR DRAWINGS OR BLUEPRINTS OR OF THE IDEAS, INFORMATION, OR DESIGNS THEREIN SHOWN WITHOUT OUR PERMISSION.

TITLE GRIP - STANDARD SUPPORT - SST  
CLOSED MESH, SINGLE WEAVE  
UNIVERSAL BALE DIA. RA. 2.00-2.49  
DESCRIPTION: RU 200-18  
APP. BRK. STR. (LBS.) = 3260

TOLERANCES UNLESS OTHERWISE SPECIFIED .X = ±.5 .XX = ±.05 .XXX = ±.015 ANGLE TOL. ± 2°	<b>HUBBELL INCORPORATED</b> KELLEMS DIVISION STONINGTON, CT	
PROJECT NO.	DR. BY KJW	APP. BY MLF
	TR. BY JLW	SCALE NONE
	CHK. BY	DATE 3/19/93

DR. NO.  022-01-057	REV.  N
---------------------------	---------------