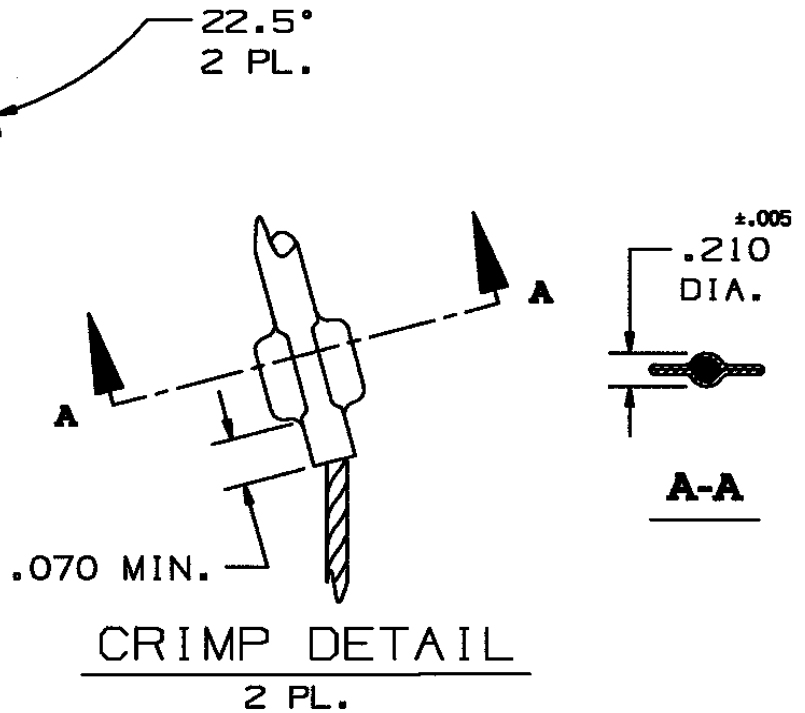
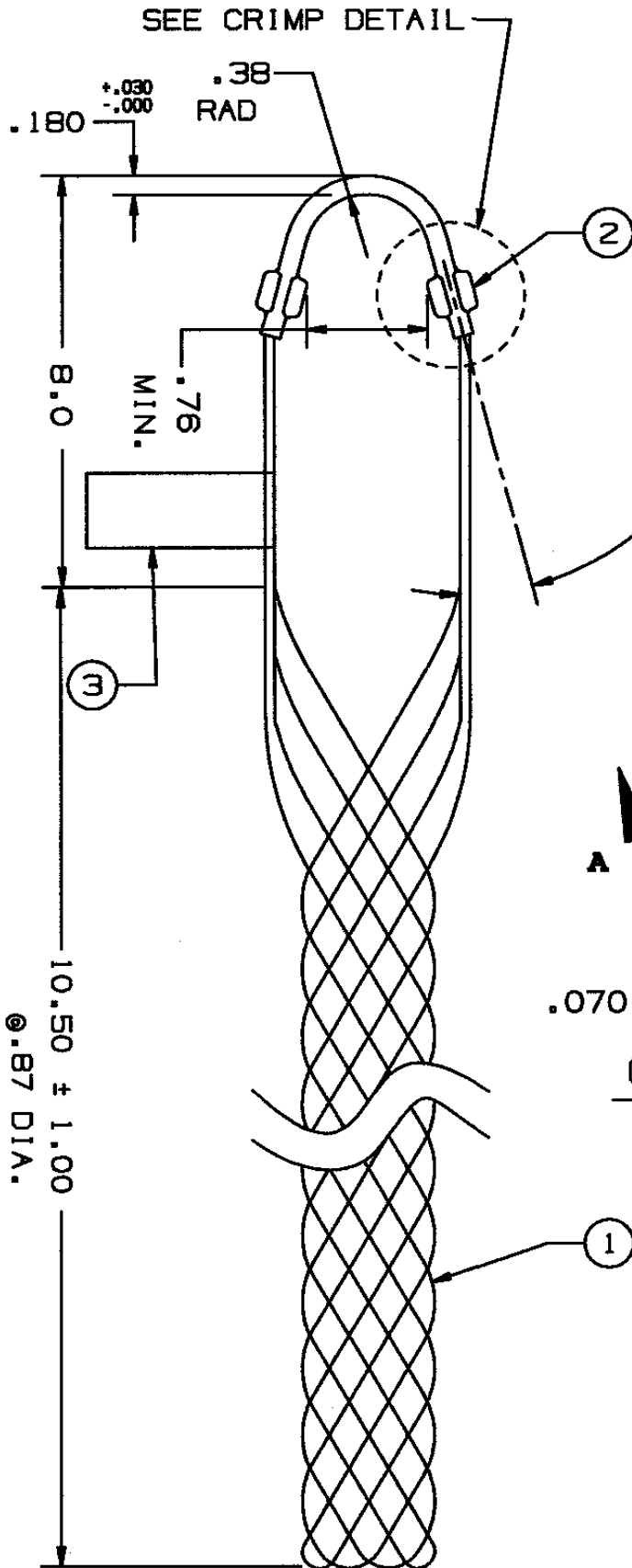


COMPONENT LIST

ITEM NO.	DESCRIPTION	MAT'L	COMPONENT NO.	QTY.
1	STRAND	T BRZ	302-01-004	-
2	EYE	SST	304-46-079	1
3	TAG	MYLAR		1



IN ACCEPTING OUR DRAWINGS OR BLUEPRINTS FOR QUOTATION OR OTHER PURPOSES, YOU AGREE NOT TO DISCLOSE TO OTHERS THE IDEAS, INFORMATION, OR DESIGNS THEREIN SHOWN, AND THAT YOU WILL MAKE NO USE OF OUR DRAWINGS OR BLUEPRINTS OR OF THE IDEAS, INFORMATION, OR DESIGNS THEREIN SHOWN WITHOUT OUR PERMISSION.

TITLE GRIP, STD. SUPPORT, CLOSED MESH, SINGLE WEAVE, SINGLE "U" EYE DIA. RA .750-.990 APPROX BRK STR. 1020# \pm 20%

TOLERANCES UNLESS OTHERWISE SPECIFIED
 .X = \pm .5
 .XX = \pm .05
 .XXX = \pm .015
 ANGLE TOL. \pm 2°

HUBBELL INCORPORATED
 KELLEMS DIVISION
 STONINGTON, CT

PROJECT NO.

DR. BY DF APP. BY JLW
 TR. BY JVO SCALE N/A
 CHK. BY JLW DATE 1/25/96

DR. NO.

REV.

022-01-1216

H

SUPERSEDES DWG DATED 4-6-79

SHEET 1 OF 1