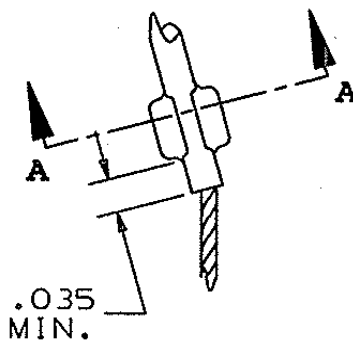
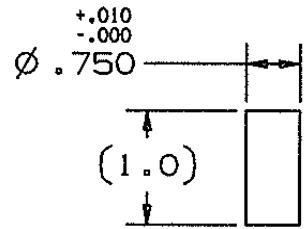
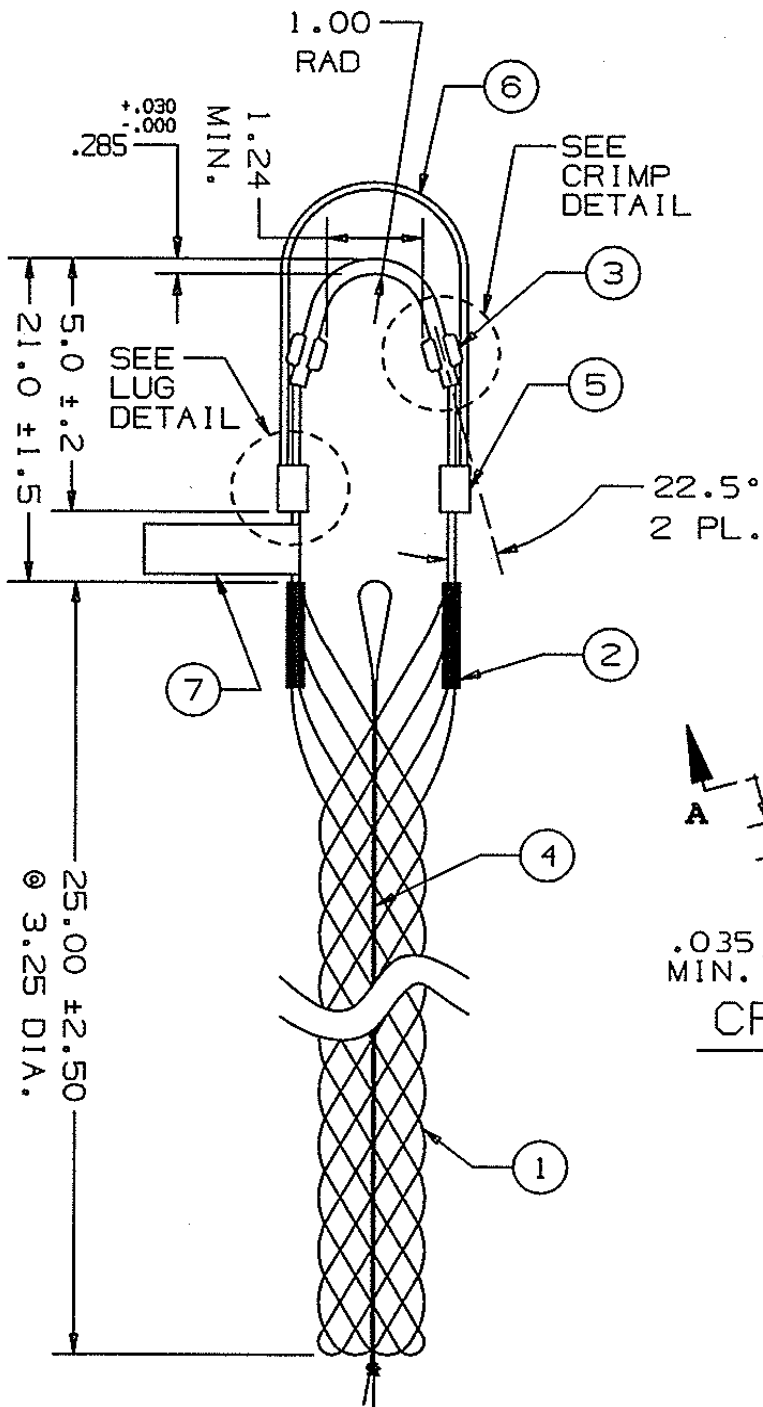


COMPONENT LIST

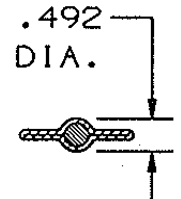
ITEM NO.	DESCRIPTION	MAT'L	COMPONENT NO.	QTY.
1	STRAND	T BRZ	302-01-006	-
2	EQUALIZER	SST	304-48-012	2
3	EYE	SST	304-46-084	1
4	LACE	T BRZ	302-74-011	1
5	LUG	ALUM	341-56-091	2
6	EYE BALE	T BRZ	302-54-007	1
7	TAG	MYLAR	_____	1



LUG DETAIL
(ITEM 5)
2 PL.

CRIMP DETAIL

2 PL.



A-A

NOTES:

1. APPROXIMATE BREAKING STRENGTH STATED IN TITLE BLOCK APPLIES TO PRIMARY EYE AND MESH ONLY.
2. BREAKING STRENGTH OF SECONDARY BAILE (ITEM 6) SHALL BE 1200 LBS MINIMUM.
3. SECONDARY BAILE SHALL NOT BE USED AS SOLE PERMANENT MEANS OF HARDWARE ATTACHMENT.

SUPERSEDES DWG DATED 10-24-68

IN ACCEPTING OUR DRAWINGS OR BLUEPRINTS FOR QUOTATION OR OTHER PURPOSES, YOU AGREE NOT TO DISCLOSE TO OTHERS THE IDEAS, INFORMATION, OR DESIGNS THEREIN SHOWN, AND THAT YOU WILL MAKE NO USE OF OUR DRAWINGS OR BLUEPRINTS OR OF THE IDEAS, INFORMATION, OR DESIGNS THEREIN SHOWN WITHOUT OUR PERMISSION.

TITLE GRIP, STD. SUPPORT SPLIT - LACE CLOSING, SINGLE WEAVE, SINGLE "U" EYE WITH SECONDARY BAILE
DIA. RA 3.00-3.50
APPROX BRK STR. 3260# ±20%

TOLERANCES UNLESS OTHERWISE SPECIFIED

.X = ±.5
.XX = ±.05
.XXX = ±.015

ANGLE TOL. ± 2°

HUBBELL INCORPORATED
KELLEMS DIVISION
STONINGTON, CT

DR. BY AWF APP. BY JLW

PROJECT NO.

TR. BY JVO

SCALE N/A

CHK. BY JLW

DATE 1/25/96

DR. NO.

REV.

022-02-1011

P