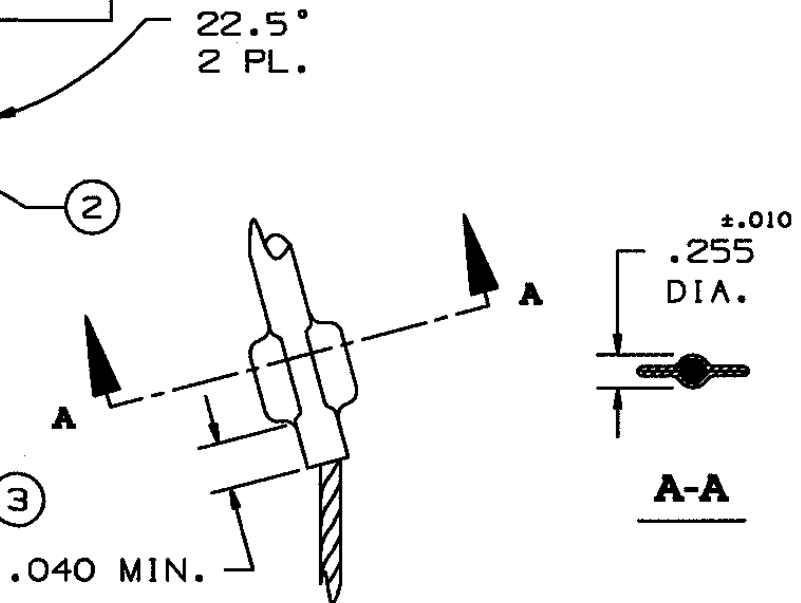
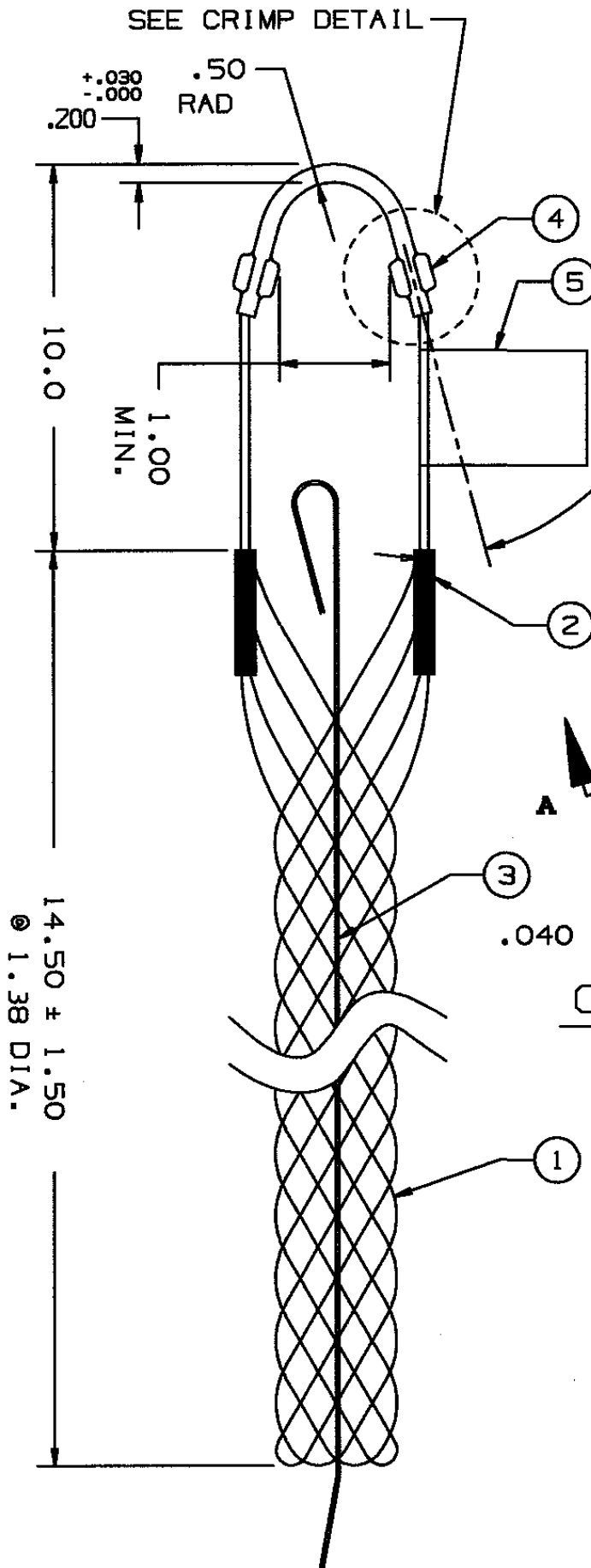


COMPONENT LIST

ITEM NO.	DESCRIPTION	MAT'L	COMPONENT NO.	QTY.
1	STRAND	T BRZ	302-01-005	-
2	EQUALIZER	SST	304-48-008	2
3	ROD	SST	304-53-013	1
4	EYE	CU	342-43-005	1
5	TAG	MYLAR		1



CRIMP DETAIL
2 PL.

IN ACCEPTING OUR DRAWINGS OR BLUEPRINTS FOR QUOTATION OR OTHER PURPOSES, YOU AGREE NOT TO DISCLOSE TO OTHERS THE IDEAS, INFORMATION, OR DESIGNS THEREIN SHOWN, AND THAT YOU WILL MAKE NO USE OF OUR DRAWINGS OR BLUEPRINTS OR OF THE IDEAS, INFORMATION, OR DESIGNS THEREIN SHOWN WITHOUT OUR PERMISSION.

TITLE GRIP, STD. SUPPORT SPLIT-ROD CLOSING, SINGLE WEAVE, SINGLE "U" EYE
DIA. RA 1.25-1.49
APPROX BRK STR. 1610# ±20%

TOLERANCES UNLESS OTHERWISE SPECIFIED .X = ±.5 .XX = ±.05 .XXX = ±.015 ANGLE TOL. ± 2°		HUBBELL INCORPORATED KELLEMS DIVISION STONINGTON, CT	
PROJECT NO. / /		DR. BY FBR	APP. BY FFS
		TR. BY	SCALE N/A
		CHK. BY JLW	DATE 10-14-93

DR. NO. 022-03-018	REV. M
------------------------------	------------------