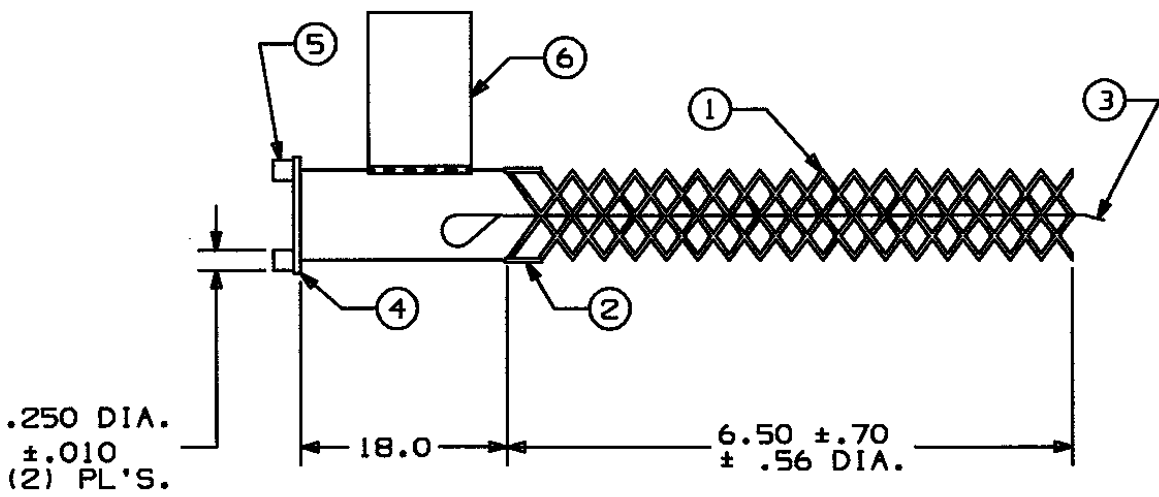


### COMPONENT LIST

ITEM NO.	DESCRIPTION	MAT'L	COMPONENT NO.	QTY.
1	STRAND	T-BRZ	302-74-126	6
2	STRAND EQUALIZER	BRZ	362-47-002	2
3	ROD	SST	304-53-005	1
4	LINK	BRZ	372-55-001	1
5	LUG	BRZ	372-56-007	2
6	TAG	MYLAR		1



IN ACCEPTING OUR DRAWINGS OR BLUEPRINTS FOR QUOTATION OR OTHER PURPOSES, YOU AGREE NOT TO DISCLOSE TO OTHERS THE IDEAS, INFORMATION, OR DESIGNS THEREIN SHOWN, AND THAT YOU WILL MAKE NO USE OF OUR DRAWINGS OR BLUEPRINTS OR OF THE IDEAS, INFORMATION, OR DESIGNS THEREIN SHOWN WITHOUT OUR PERMISSION.

**TITLE** GRIP-STANDARD SUPPORT  
 SPLIT-MESH, ROD CLOSING  
 UNIVERSAL BALE DIA. RA. .50-.62  
**DESCRIPTION:** RRU-050-18  
 APP. BRK. STR. (LBS.) = 790

TOLERANCES UNLESS OTHERWISE SPECIFIED  
 .X = ±.5  
 .XX = ±.05  
 .XXX = ±.015  
 ANGLE TOL. ± 2°

**HUBBELL INCORPORATED**  
 KELLEMS DIVISION  
 STONINGTON, CT

PROJECT NO.	DR. BY KJW	APP. BY MLF
	TR. BY	SCALE NONE
	CHK. BY JLW	DATE 3/01/93

DR. NO.  <div style="text-align: center; font-size: 1.2em;">022-03-064</div>	REV.  <div style="text-align: center; font-size: 1.2em;">R</div>
--	--