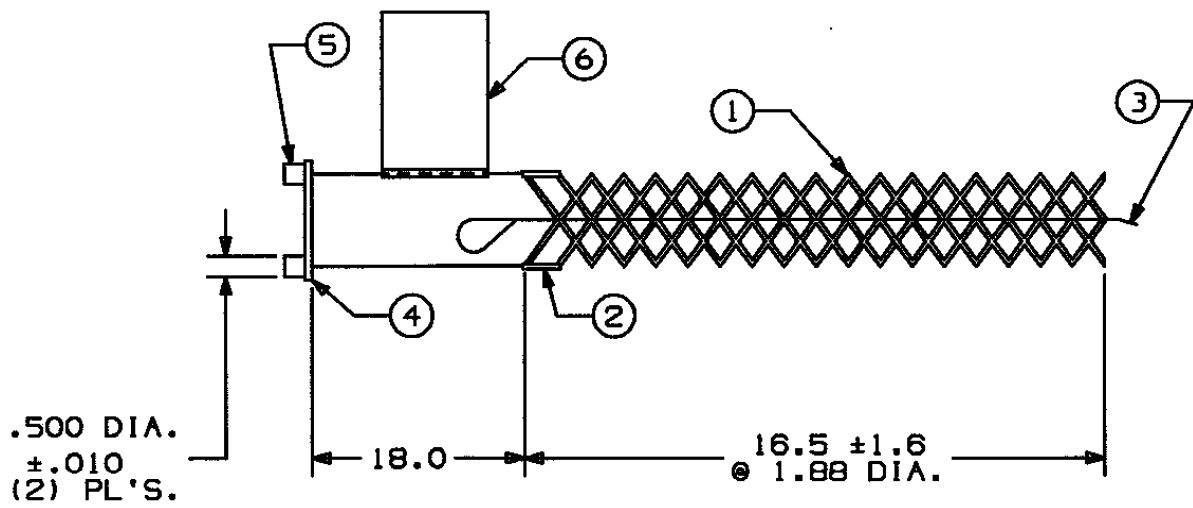


### COMPONENT LIST

ITEM NO.	DESCRIPTION	MAT'L	COMPONENT NO.	QTY.
1	STRAND	T.BRZ	302-74-027	8
2	EQUALIZER	SST	304-48-009	2
3	ROD	SST	304-53-014	1
4	LINK	BRZ	372-55-004	1
5	LUG	BRZ	462-52-002	2
6	TAG	MYLAR		1



IN ACCEPTING OUR DRAWINGS OR BLUEPRINTS FOR QUOTATION OR OTHER PURPOSES, YOU AGREE NOT TO DISCLOSE TO OTHERS THE IDEAS, INFORMATION, OR DESIGNS THEREIN SHOWN, AND THAT YOU WILL MAKE NO USE OF OUR DRAWINGS OR BLUEPRINTS OR OF THE IDEAS, INFORMATION, OR DESIGNS THEREIN SHOWN WITHOUT OUR PERMISSION.

TITLE GRIP - STANDARD SUPPORT - BRZ  
SPLIT MESH, ROD CLOSING, SINGLE WEAVE  
UNIVERSAL BALE  
DIA. RA. 1.75-1.99  
DESCRIPTION: RRU 175-18"  
APP. BRK. STR. (LBS.) = 2150

TOLERANCES UNLESS OTHERWISE SPECIFIED .X = ±.5 .XX = ±.05 .XXX = ±.015 ANGLE TOL. ± 2°	HUBBELL INCORPORATED KELLEMS DIVISION STONINGTON, CT	
	DR. BY KJW	APP. BY MLF
PROJECT NO.	TR. BY	SCALE NONE
	CHK. BY JLW	DATE 3/19/93
DR. NO.	REV.	
022-03-071		N
SHEET 1	OF 1	