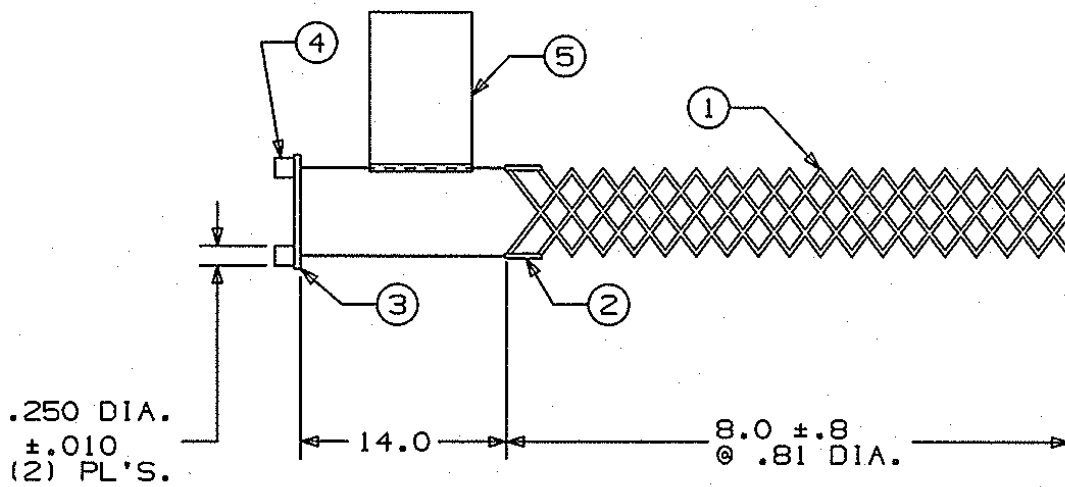


COMPONENT LIST

| ITEM NO. | DESCRIPTION | MAT'L | COMPONENT NO. | QTY. |
|----------|-------------|-------|---------------|------|
| 1 | STRAND | T-BRZ | 302-01-004 | - |
| 2 | EQUALIZER | BRZ | 304-48-007 | 2 |
| 3 | LINK | BRZ | 372-55-001 | 1 |
| 4 | LUG | BRZ | 372-56-008 | 2 |
| 5 | TAG | MYLAR | | 1 |
| | | | | |
| | | | | |
| | | | | |
| | | | | |
| | | | | |



IN ACCEPTING OUR DRAWINGS OR BLUEPRINTS FOR QUOTATION OR OTHER PURPOSES, YOU AGREE NOT TO DISCLOSE TO OTHERS THE IDEAS, INFORMATION, OR DESIGNS THEREIN SHOWN, AND THAT YOU WILL MAKE NO USE OF OUR DRAWINGS OR BLUEPRINTS OR OF THE IDEAS, INFORMATION, OR DESIGNS THEREIN SHOWN WITHOUT OUR PERMISSION.

TITLE GRIP-STANDARD SERVICE DROP
CLOSED MESH - SINGLE WEAVE
UNIVERSAL BAILE
DIA. RA. .75-.87
DESCRIPTION: SU-13
APP. BRK. STR. (LBS.) = 1020

TOLERANCES UNLESS OTHERWISE SPECIFIED
.X = ±.5
.XX = ±.05
.XXX = ±.015
ANGLE TOL. ± 2°

HUBBELL INCORPORATED
KELLEMS DIVISION
STONINGTON, CT

| | | |
|-------------|-------------|-------------|
| PROJECT NO. | DR. BY KJW | APP. BY MLF |
| | TR. BY | SCALE NONE |
| | CHK. BY JLW | DATE 3/1/93 |

| | |
|------------------------------|------------------|
| DR. NO. 022-16-025 | REV. K |
|------------------------------|------------------|