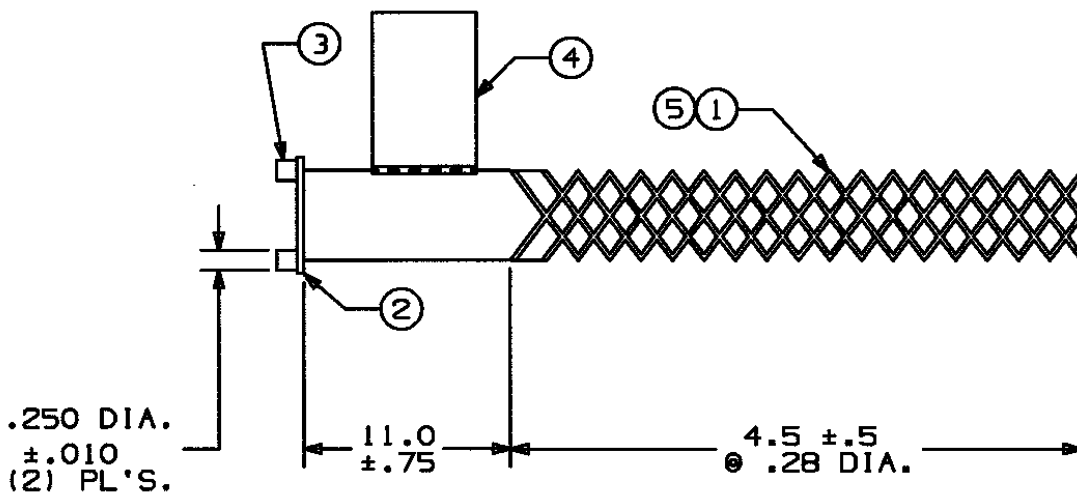


COMPONENT LIST

ITEM NO.	DESCRIPTION	MAT'L	COMPONENT NO.	QTY.
1	STRAND	T-BRZ	302-74-111	4
2	LINK	BRZ	372-55-001	1
3	LUG	BRZ	372-56-004	2
4	TAG	MYLAR		1
5	STRAND	T-BRZ	302-74-108	4



IN ACCEPTING OUR DRAWINGS OR BLUEPRINTS FOR QUOTATION OR OTHER PURPOSES, YOU AGREE NOT TO DISCLOSE TO OTHERS THE IDEAS, INFORMATION, OR DESIGNS THEREIN SHOWN, AND THAT YOU WILL MAKE NO USE OF OUR DRAWINGS OR BLUEPRINTS OR OF THE IDEAS, INFORMATION, OR DESIGNS THEREIN SHOWN WITHOUT OUR PERMISSION.

TITLE:

GRIP - HEAVY DUTY SERVICE DROP
CLOSED MESH - SINGLE/DOUBLE WEAVE
UNIVERSAL BAILE
DIA. RA. .23-.31
DESCRIPTION: NAU-4
APP. BRK. STR. (LBS.) = 500

TOLERANCES UNLESS OTHERWISE SPECIFIED

.XX = ±.05
.XXX = ±.015
.XXXX = ±.0025
ANGLE TOL. ± 2°

HUBBELL INCORPORATED
KELLEMS DIVISION
STONINGTON, CT

DR. BY: KJW APP. BY: MLF

PROJECT NO.

TR. BY

SCALE NONE

CHK. BY JLW

DATE: 3/19/93

DR. NO.

022-17-016

REV.

H